



LED INDICATOR LAMPS PROMINENT LENS, Ø10 mm

FEATURES

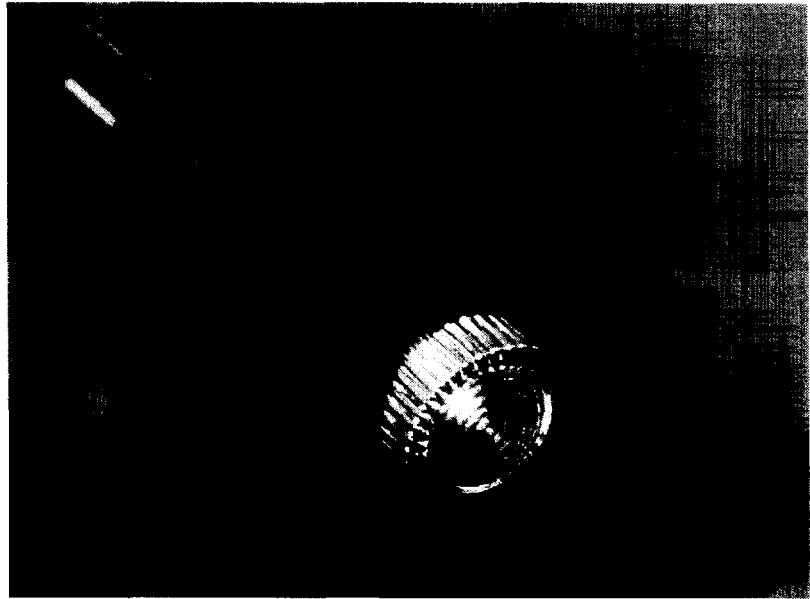
- high brightness
- 6 colours available (including high intensity white)
- prominent fresnel lens for wide angle viewing
- rugged brass, black chromed body

APPLICATIONS

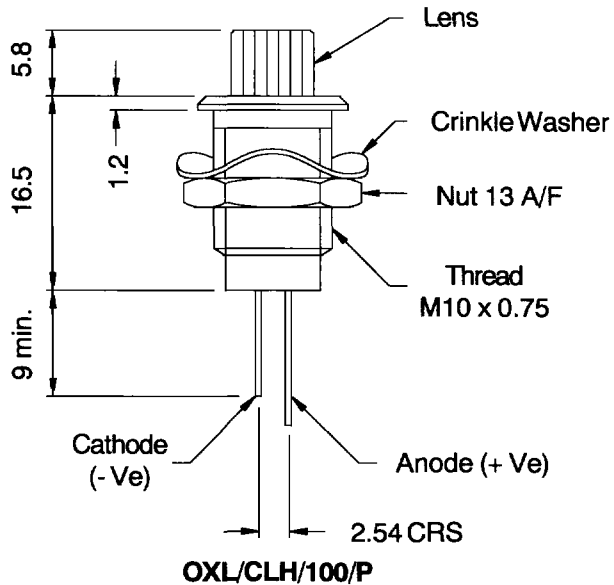
- industrial
- alarm indicators
- fail - safe high reliability indicator panels
- indoor/outdoor where a low level of sealing is required
- IPG5 splashproof

STYLES/OPTIONS

- coloured or water clear lens
- 5 V to 28 V integral resistor options also available



Dimensions in mm



FRONT VIEW

OXLYS00094



LED INDICATOR LAMPS PROMINENT LENS, Ø10 mm

OPTICAL CHARACTERISTICS

Type No.	Luminous Intensity Typical (mcd @ 20 mA)						
	AlGaAs RED	RED	AMBER	YELLOW	GREEN	BLUE	WHITE
OXL/CLH/100/P	250	110	130	150	150	120	120
OXL/CLH/100/P/CL	300	130	135	165	170	130	130

Note: Bi-colour LEDs and High Intensity colours available, contact our Sales Department for more information

OXL/CLH/100/P Figures above, refer to coloured lens.
OXL/CLH/100/P/CL Figures above, refer to a water clear lens.

ELECTRICAL CHARACTERISTIC (All types)

	AlGaAs RED	RED	AMBER	YELLOW	GREEN	BLUE	WHITE
Forward current (mA) max. /typ.	30/20	30/25	30/25	30/20	30/25	30/20	30/20
Forward voltage (V) typ. @ 20 mA	1.8	2.2	2.2	2.2	3.5	3.6	3.6
Reverse voltage (V) max.	5	5	5	5	5	5	5

ENVIRONMENTAL

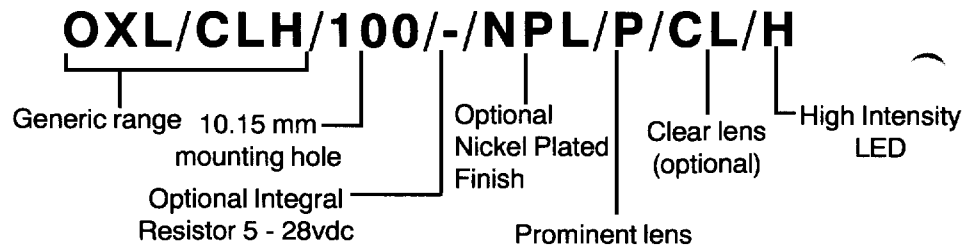
Operating and storage temperature : -20°C to 70°C

MOUNTING DETAILS

Mounting Hole Diameter : ??
Chassis thickness : 1.5 mm min. ?? mm max?
Recommended mounting torque : 1 Nm

MATERIALS

Body : Brass - black chromed
Brass - nickel plated
Nut : Aluminium alloy
Terminations : Silver plated or Tin Lead (solderability exceeds BS 2011. Test T)



ORDERING INFORMATION

Please specify type no. and colour when ordering,
eg. OXL/CLH/100/P/AlGaAs red.

COMPANY APPROVALS

BS EN ISO 9001:1994 and QAS/34/61 REG No. FM 01759
CECC Approval No. M/0022, BS 9000 Approval No. 1048/M

European and International Patents

OXLEY® is a trademark of Oxley Developments Company Ltd.

®Registered

Oxley Developments Company Ltd., Priory Park, Ulverston, Cumbria, England, LA12 9QG
Tel: (01229) 582621 Fax: (01229) 585090 E-mail: contact@oxley.co.uk www.oxleygroup.com

Oxley Inc. 25 Business Park Drive, PO Box 814, Branford, CT 06405, USA
Tel: (203) 488-1033 Fax: (203) 481-6971