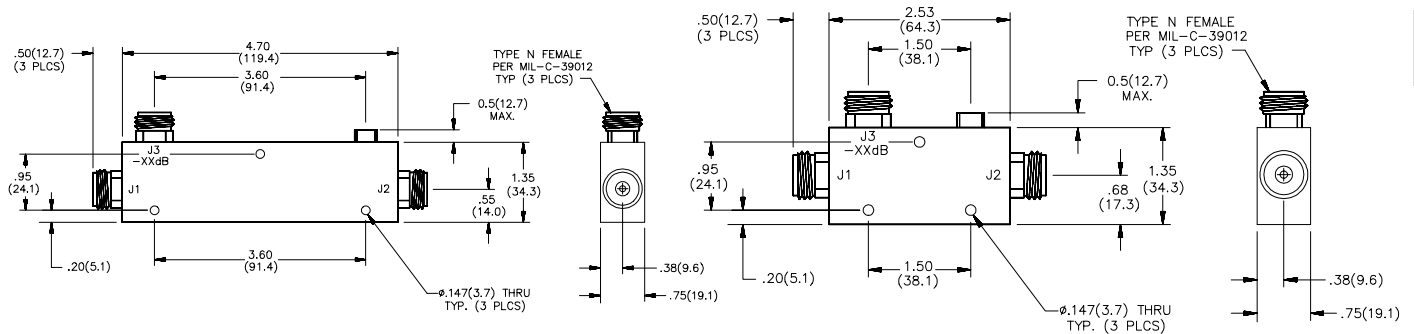


## Medium Power - 150 Watts

- Wireless Frequency Bands
- Type N & TNC Connector Interfaces
- PCS, Cellular, IEEE 802.11, & HiperLAN
- High Performance

Midwest Microwave offers this extended series of high performance medium power Directional Couplers using Type N and TNC connector interfaces to provide further coverage of the ever increasing wireless frequency bands. They are ruggedly constructed stripline units that possess inherently low VSWR and high directivity. They are offered in distinct compact package sizes utilizing convenient mounting arrangements for easy system assembly.



Case Style 3

### Electrical Specifications

Case Style 4

Frequency Range (MHz)	Case Style	Model Number	Coupling	Frequency Sensitivity	Insertion Loss (dB)	Directivity (dB)	VSWR (max)	Input Avg (W)	Power Refl Avg (W)	Peak (kW)
800 - 1990	3	CPW-8019-10-NNN-05	10 ± 1.00	± 0.60	0.50	18	1.20	150	30	5
		CPW-8019-20-NNN-05	20 ± 1.00	± 0.60	0.50	18	1.20	150	150	5
1700 - 1800	1	CPW-1718-10-NNN-05	10 ± 0.50	± 0.10	0.20	30	1.15	150	30	5
		CPW-1718-20-NNN-05	20 ± 0.50	± 0.10	0.15	30	1.15	150	150	5
		CPW-1718-30-NNN-05	30 ± 0.60	± 0.20	0.15	30	1.15	150	150	5
1700 - 1990	1	CPW-1719-10-NNN-05	10 ± 1.25	± 0.75	0.30	27	1.15	150	30	5
		CPW-1719-20-NNN-05	20 ± 1.25	± 0.75	0.25	27	1.15	150	150	5
		CPW-1719-30-NNN-05	30 ± 1.25	± 0.75	0.25	27	1.15	150	150	5
2400 - 2500	4	CPW-2425-10-NNN-05	10 ± 0.75	± 0.30	0.30	27	1.25	150	30	5
		CPW-2425-20-NNN-05	20 ± 0.75	± 0.30	0.30	27	1.25	150	150	5
		CPW-2425-30-NNN-05	30 ± 0.75	± 0.30	0.30	27	1.25	150	150	5
2400 - 5850	4	CPW-2458-10-NNN-05	10 ± 1.00	± 0.50	0.40	25	1.25	150	30	5
		CPW-2458-20-NNN-05	20 ± 1.00	± 0.50	0.40	25	1.25	150	150	5
		CPW-2458-30-NNN-05	30 ± 1.00	± 0.50	0.40	25	1.25	150	150	5
5150 - 5850	4	CPW-5158-10-NNN-05	10 ± 0.75	± 0.30	0.40	25	1.25	150	30	5
		CPW-5158-20-NNN-05	20 ± 0.75	± 0.30	0.40	25	1.25	150	150	5
		CPW-5158-30-NNN-05	30 ± 0.75	± 0.30	0.40	25	1.25	150	150	5

Note: For "TNC" connector interface, substitute "TNC" for "NNN" in Model Number.