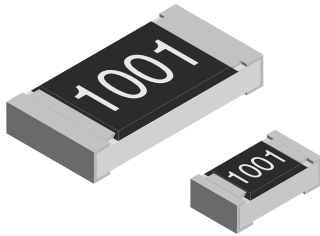


Thick Film, Rectangular, Precision Resistors



FEATURES

- Metal glaze on high quality ceramic
- Protective overglaze
- Solder contacts on Ni barrier layer
- Excellent stability in different environmental conditions
- Low temperature coefficient and tight tolerances

STANDARD ELECTRICAL SPECIFICATIONS										
MODEL	SIZE		POWER RATING $P_{70^{\circ}\text{C}}$ W	LIMITING ELEMENT VOLTAGE MAX V_{Ξ}	TEMPERATURE COEFFICIENT ppm/K	TOLERANCE %	RESISTANCE RANGE Ω	E-SERIES		
	INCH	METRIC	CECC 40401-802/EIA-575							
D10P CRCW0402	0402	1005	0.063	50	± 100 ± 50 ± 25	± 0.5 $\pm 0.25; \pm 0.5; \pm 1$ $\pm 0.25; \pm 0.5; \pm 1$	10R - 1M0 100R - 1M0 100R - 10K	96 96 96		
D11P CRCW0603	0603	1608	0.1	75	± 100 ± 50 ± 50 ± 25	± 0.5 ± 0.25 $\pm 0.5; \pm 1$ $\pm 0.25; \pm 0.5; \pm 1$	10R - 10M 100R - 1M0 100R - 10M 100R - 10K	96 96 96 96		
D12P CRCW0805	0805	2012	0.125	150	± 100 ± 50 ± 50 ± 25	± 0.5 ± 0.25 $\pm 0.5; \pm 1$ $\pm 0.25; \pm 0.5; \pm 1$	10R - 10M 100R - 1M0 100R - 10M 100R - 10K	96 96 96 96		
D25P CRCW1206	1206	3216	0.25	200	± 100 ± 50 ± 50 ± 25	± 0.5 ± 0.25 $\pm 0.5; \pm 1$ $\pm 0.25; \pm 0.5; \pm 1$	10R - 10M 100R - 1M0 100R - 10M 100R - 10K	96 96 96 96		
CRCW1210	1210	3225	0.33	200	± 100 ± 50	± 0.5 ± 0.5	100R - 1M0 100R - 1M0	96 96		
CRCW1218	1218	3246	1.0	200	± 100 ± 50	± 0.5 $\pm 0.5; \pm 1$	100R - 2M2 100R - 2M2	96 96		
CRCW2010	2010	5025	0.5	400	± 100 ± 50	± 0.5 $\pm 0.5; \pm 1$	10R - 10M 100R - 10M	96 96		
CRCW2512	2512	6332	1.0	500	± 100 ± 50	± 0.5 $\pm 0.5; \pm 1$	10R - 10M 100R - 10M	96 96		

- Ask about further value ranges
- Special terminations for conductive adhesive attachment on request
- Power rating depends on the max. temperature at the solder point, the component placement density and the substrate material
- Marking and packaging: see appropriate catalog or web pages

TECHNICAL SPECIFICATIONS									
PARAMETER	UNIT	D10P CRCW0402	D11P CRCW0603	D12P CRCW0805	D25P CRCW1206	CRCW1210	CRCW1218	CRCW2010	CRCW2512
Rated Dissipation at 70 °C (CECC 40401 EIA 575)	W	0.063	0.1	0.125	0.25	0.33	1.0	0.5	1.0
Limiting Element Voltage ²⁾	V_{Ξ}	50	75	150	200	200	200	400	500
Insulation Voltage (1 min)	V_{peak}	> 75	> 100	> 200	> 300	> 300	> 300	> 300	> 300
Thermal Resistance	K/W	$\leq 870^{1)}$	$\leq 550^{1)}$	$\leq 440^{1)}$	$\leq 220^{1)}$	$\leq 140^{3)}$	³⁾	$\leq 88^{3)}$	$\leq 65^{3)}$
Insulation Resistance	Ω	> 10^9							
Category Temperature Range	°C	- 55 to + 125							
Failure Rate	h^{-1}	$0.3 \cdot 10^{-9}$							
Weight/1000 pcs	g	0.65	2	5.5	10	16	29.5	25.5	40.5

¹⁾ Measuring conditions in acc. to CECC 40401-802

²⁾ Rated voltage: $\sqrt{P \times R}$

³⁾ Depending on solder pad dimensions



PART NUMBER AND PRODUCT DESCRIPTION D-SERIES

PART NUMBERING: D120805FB5620DP0

D	1	2	0	8	0	5	F	B	5	6	2	0	D	P	0		
----------	----------	----------	----------	----------	----------	----------	----------	----------	----------	----------	----------	----------	----------	----------	----------	--	--

MODEL/SIZE	SPECIAL CHARACTER	TC	VALUE	TOLERANCE	PACKING	SPECIAL
D100402 D110603 D120805 D251206	F = P (Precision)	D = ± 25 ppm/K C = ± 50 ppm/K B = ± 100 ppm/K	3 digit value 1 digit multiplier MULTIPLIER 7 = *10 ⁻³ 8 = *10 ⁻² 9 = *10 ⁻¹ 0 = *10 ⁰ 1 = *10 ⁻¹ 2 = *10 ⁻² 3 = *10 ⁻³ 4 = *10 ⁻⁴ 5 = *10 ⁻⁵ 6 = *10 ⁻⁶	C = ± 0.25 % D = ± 0.5 % F = ± 1 %	P0 P5 PN MZ MU M0 PZ B5 BN	up to 2 digits

PRODUCT DESCRIPTION: D12P 100 562R 0.5 % P5

D12P	100	562R	0.5 %	P5
MODEL	TC	RESISTANCE VALUE	TOLERANCE	PACKING ¹⁾
D10P D11P D12P D25P	± 25 ppm/K ± 50 ppm/K ± 100 ppm/K	49R9 = 49.9 Ω 5R1 = 5.1 Ω	± 0.25 % ± 0.5 % ± 1 %	P0 M0 P5 PZ PN B5 MZ BN MU

¹⁾ Please refer to table PACKING, page 96.

PART NUMBER AND PRODUCT DESCRIPTION CRCW-SERIES

PART NUMBERING: CRCW080525R0DKTAP

C	R	C	W	0	8	0	5	2	5	R	0	D	K	T	A	P	
----------	----------	----------	----------	----------	----------	----------	----------	----------	----------	----------	----------	----------	----------	----------	----------	----------	--

MODEL/SIZE	VALUE	TOLERANCE	TC	PACKING	SPECIAL
CRCW0402 CRCW0603 CRCW0805 CRCW1206 CRCW1210 CRCW1218 CRCW2010 CRCW2512	R = Decimal K = Thousand M = Million	C = ± 0.25 % D = ± 0.5 % F = ± 1 %	E = ± 25 ppm/K H = ± 50 ppm/K K = ± 100 ppm/K	TA = RT1 TB = RT5 TC = RT6 TD = RT7 TF = R02 TG = R67 TH = R82 TK = RT9 BA = B27	up to 2 digits P = Precision

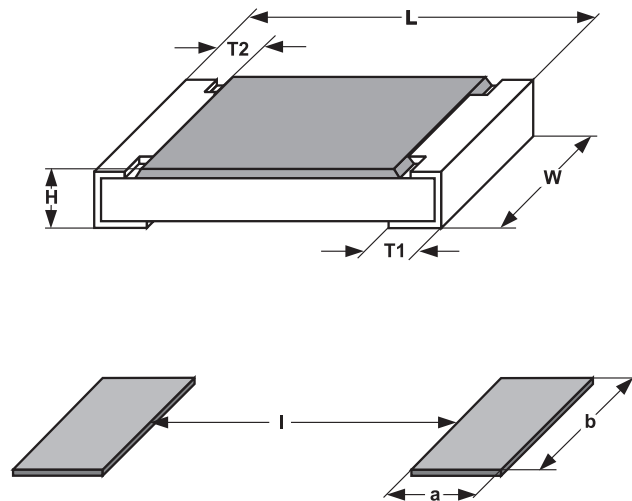
PRODUCT DESCRIPTION: CRCW 0805 25R D 100 RT1

CRCW0805	25R	D	100	RT1
MODEL	RESISTANCE VALUE	TOLERANCE	TC	PACKING ¹⁾
CRCW0402 CRCW0603 CRCW0805 CRCW1206 CRCW1210 CRCW1218 CRCW2010 CRCW2512	49R9 = 49.9 Ω 5R1 = 5.1 Ω	C = ± 0.25 % D = ± 0.5 % F = ± 1 %	± 25 ppm/K ± 50 ppm/K ± 100 ppm/K	RT1 RT5 RT6 RT7 R02 R67 R82 RT9 B27

¹⁾ Please refer to table PACKING, page 96.

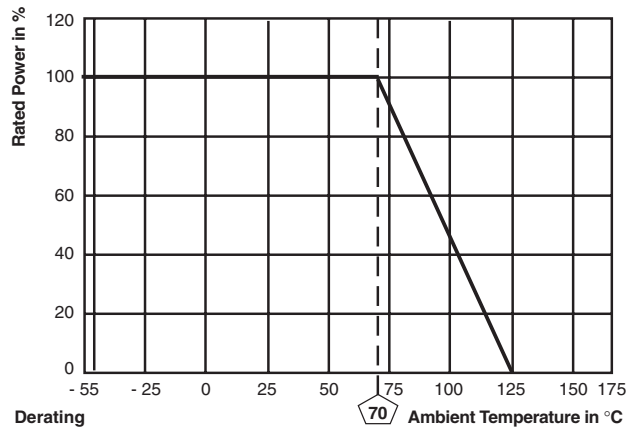
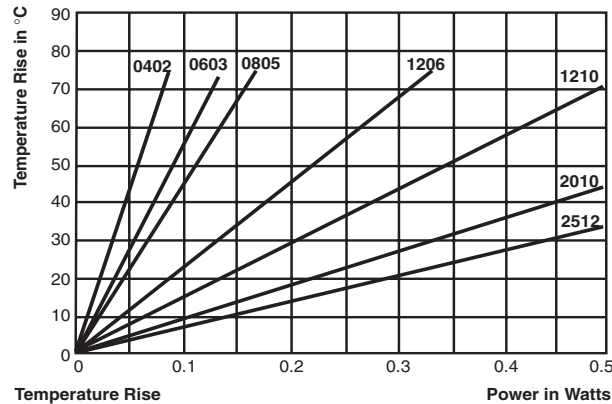
PACKING								
MODEL	REEL				PACKING CODE		BULK	
	TAPE WIDTH	DIAMETER	PIECES/REEL	PITCH	PAPER	BLISTER	PIECES	CODE
D10P CRCW0402	8 mm	180 mm/7"	10000	2 mm	P0/RT7		50000	MZ/B27
		330 mm/13"	50000	2 mm	PZ/RF4			
D11P CRCW0603	8 mm	180 mm/7"	5000	4 mm	P5/RT1	B5	25000	MU/B27
		255 mm/10"	10000	4 mm	P0/RT5			
		330 mm/13"	20000	4 mm	PN/RT6	BN		
D12P CRCW0805	8 mm	180 mm/7"	5000	4 mm	P5/RT1	B5	10000	MO/B27
		255 mm/10"	10000	4 mm	P0/RT5			
		330 mm/13"	20000	4 mm	PN/RT6	BN		
D25P CRCW1206	8 mm	180 mm/7"	5000	4 mm	P5/RT1	B5		
		255 mm/10"	10000	4 mm	P0/RT5			
		330 mm/13"	20000	4 mm	PN/RT6	BN		
CRCW1210	8 mm	180 mm/7"	5000	4 mm	P5/RT1	B5		
		330 mm/13"	20000	4 mm	PN/RT6	BN		
CRCW1218	12 mm	180 mm/7"	4000	4 mm		B4/RT9		
CRCW2010	12 mm	180 mm/7"	4000	4 mm		B4/R02		
CRCW2512	12 mm	180 mm/7"	2000	8 mm		B2/R67		
			4000	4 mm		B4/R82		

DIMENSIONS



SIZE		DIMENSIONS [in millimeters]				
INCH	METRIC	L	W	H	T1	T2
0402	1005	1.0 ± 0.05	0.5 ± 0.05	0.35 ± 0.05	0.25 ± 0.05	0.2 ± 0.1
0603	1608	1.55 ^{+0.10} _{-0.05}	0.85 ± 0.1	0.45 ± 0.05	0.3 ± 0.2	0.3 ± 0.2
0805	2012	2.0 ^{+0.20} _{-0.10}	1.25 ± 0.15	0.45 ± 0.05	0.3 ^{+0.20} _{-0.10}	0.3 ± 0.2
1206	3216	3.2 ^{+0.10} _{-0.20}	1.6 ± 0.15	0.55 ± 0.05	0.45 ± 0.2	0.4 ± 0.2
1210	3225	3.2 ± 0.2	2.5 ± 0.2	0.55 ± 0.05	0.45 ± 0.2	0.4 ± 0.2
1218	3246	3.2 ^{+0.10} _{-0.20}	4.6 ± 0.15	0.55 ± 0.05	0.45 ± 0.2	0.4 ± 0.2
2010	5025	5.0 ± 0.15	2.5 ± 0.15	0.6 ± 0.1	0.6 ± 0.2	0.6 ± 0.2
2512	6332	6.3 ± 0.2	3.15 ± 0.15	0.6 ± 0.1	0.6 ± 0.2	0.6 ± 0.2

Dimensions 1210 to 2512 and solder-pad dimensions: see standard chip resistors D..CRCW



PERFORMANCE				
TEST	CONDITIONS OF TEST	TEST RESULTS %		
		0402 0603	0805 1206 1210	1218 2010 2512
Endurance Test at 70 °C IEC 60115-1 4.25.1	1000 hours at 70 °C, 1.5 hours "ON", 0.5 hours "OFF"	≤ ± 1.0	≤ ± 1.5	≤ ± 1.0
Endurance at UCT IEC 60115-1 4.25.3	1000 hours at 125 °C without load	≤ ± 1.0	≤ ± 0.5	≤ ± 1.0
Overload Test IEC 60115-1 4.13	Short time overload 2.5 x rated voltage or ≤ 2 x limiting element voltage.	≤ ± 0.25	≤ ± 0.25	≤ ± 0.5
Thermal Shock IEC 60115-1 4.19; IEC 60068-2-14;	Rapid change between upper and lower category temperature	≤ ± 0.25	≤ ± 0.25	≤ ± 0.5
Damp Heat Steady State IEC 60115-1 4.24; IEC 60068-2-3	56 days at 40 °C and 93 % relative humidity	≤ ± 1.0	≤ ± 0.5	≤ ± 1.0
Resistance to Soldering Heat IEC 60115-1 4.18; IEC 60068-2-20	10 seconds at 260 °C solder bath temperature	≤ ± 0.25	≤ ± 0.25	≤ ± 0.5

APPLICABLE SPECIFICATIONS
<ul style="list-style-type: none"> • CECC40000/40400/40401-802 • EN140400/IEC 60115 - 1 • EIA 575 • MIL-PRF-55342



Notice

Specifications of the products displayed herein are subject to change without notice. Vishay Intertechnology, Inc., or anyone on its behalf, assumes no responsibility or liability for any errors or inaccuracies.

Information contained herein is intended to provide a product description only. No license, express or implied, by estoppel or otherwise, to any intellectual property rights is granted by this document. Except as provided in Vishay's terms and conditions of sale for such products, Vishay assumes no liability whatsoever, and disclaims any express or implied warranty, relating to sale and/or use of Vishay products including liability or warranties relating to fitness for a particular purpose, merchantability, or infringement of any patent, copyright, or other intellectual property right.

The products shown herein are not designed for use in medical, life-saving, or life-sustaining applications. Customers using or selling these products for use in such applications do so at their own risk and agree to fully indemnify Vishay for any damages resulting from such improper use or sale.