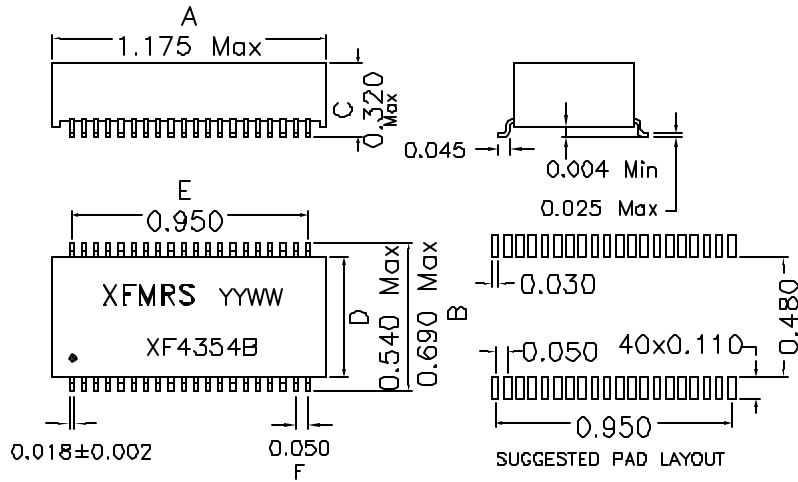
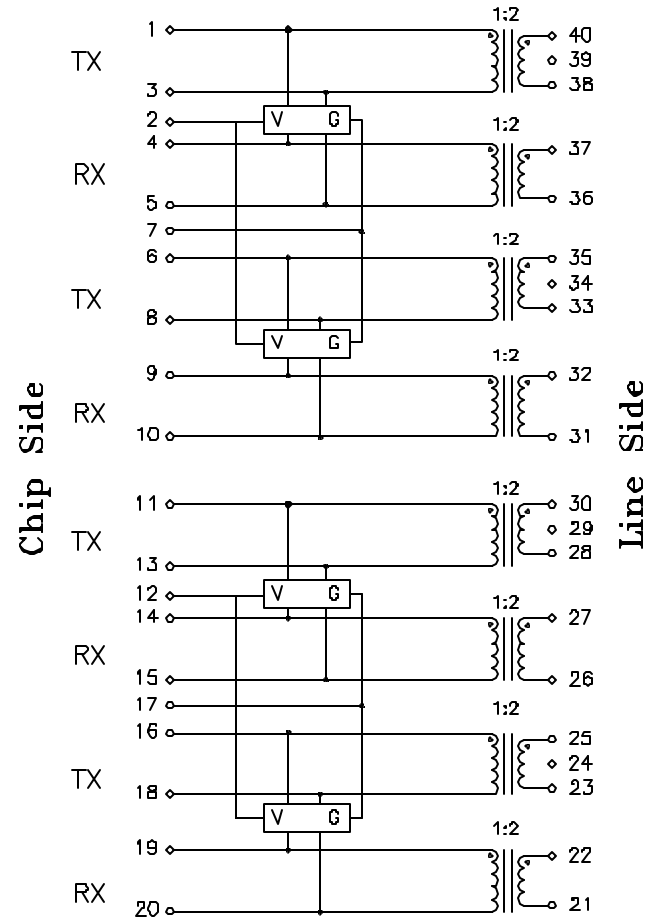


1. Mechanical Dimensions:



2. Schematic:



3. Electrical Specifications: @25°C

- Turns Ratio: CHIP/LINE TX 1:2, RX 1:2
- Isolation Voltage: 1500 Vrms (Input to Output)
- Line OCL: TX & RX 1.2mH Min @10KHz 0.1V
- Line LL: TX & RX 0.65uH Max @1MHz 0.1V, Short Sec
- Line/Chip Cw/w: 30pF Max @10KHz 0.1V
- Crosstalk: 50dB Typ

Notes:

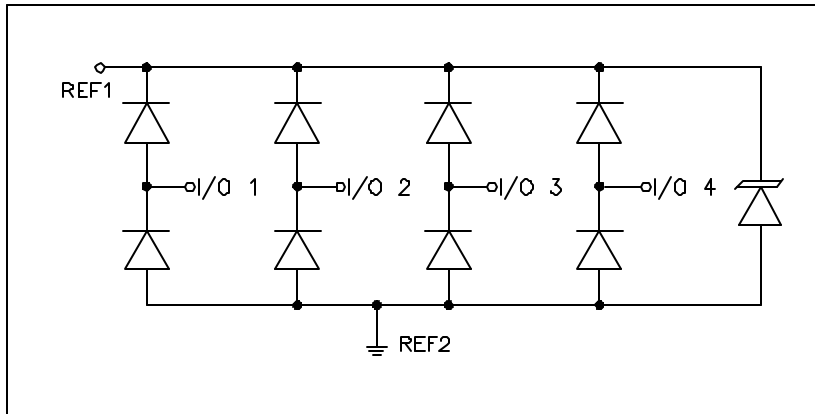
- Solderability: Leads shall meet MIL-STD-202G, Method 208H for solderability.
- Flammability: UL94V-0
- ASTM oxygen Index: > 28%
- Insulation System: Class F 155°C. UL file E151556
- Operating Temperature Range: All listed parameters are to be within tolerance from -40°C to +85°C
- Storage Temperature Range: -55°C to +125°C
- Aqueous wash compatible
- SMD Lead Coplanarity: ±0.004"(0.102mm)
- Electrical and mechanical specifications 100% tested
- RoHS 5/6 Compliant, 63/37 leaded solder dipping on FG pins
- Recommended IR Reflow temp 225C Max.

DOC. REV.: A/4

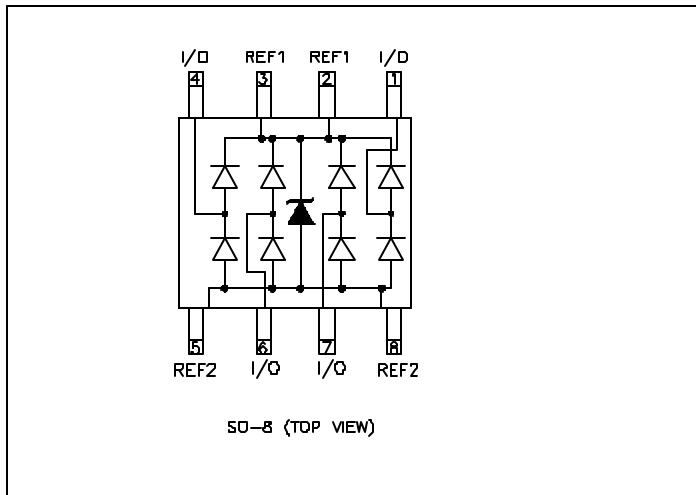
PROPRIETARY Document is the property of XFMRs Group & is not allowed to be duplicated without authorization.

XFMRs Inc www.XFMRs.com	Title: QUAD PORT T1/CEPT/ISDN-PRI TRANSFORMER		
	UNLESS OTHERWISE SPECIFIED TOLERANCES: .xxx ±0.010 Dimensions in INCH	P/N: XF4354B	REV. A
	DWN.	Xian Yi	May-04-09
	CHK.	YK Liao	May-04-09
SCALE 2:1 SHT 1 OF 2	APP.	Joe Huff	May-04-09

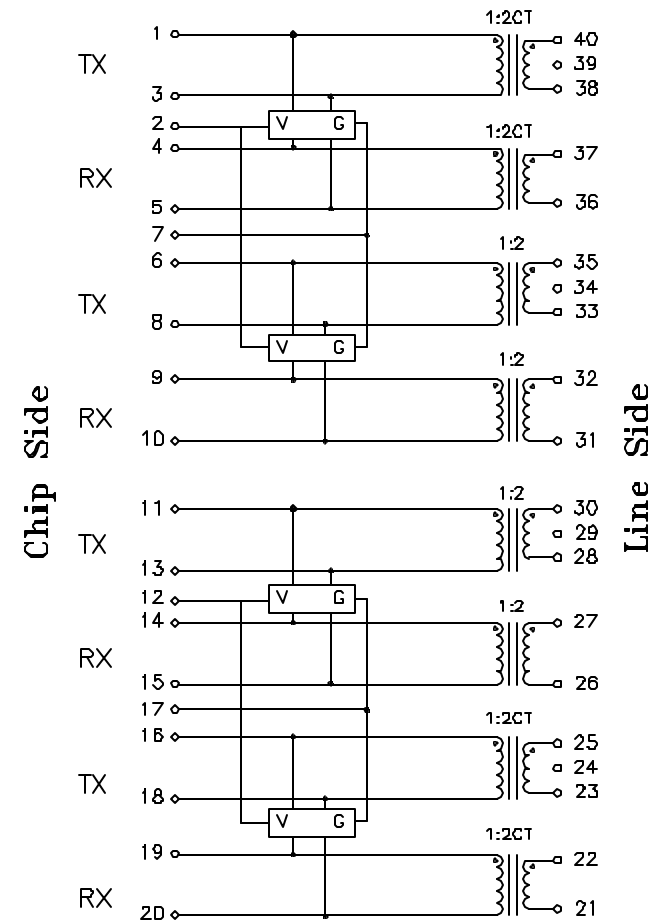
CIRCUIT DIAGRAM:



SCHEMATIC & PIN CONFIGURATION:



2. Schematic:



DETAILS FOR P/N: XF4354B "V G" PORTION OF THE CIRCUIT

XFMRs Inc www.XFMRs.com	Title: QUAD PORT T1/CEPT/ISDN-PRI TRANSFORMER		
	UNLESS OTHERWISE SPECIFIED TOLERANCES: .xxx ±0.010 Dimensions in INCH	P/N: XF4354B	REV. A
	DWN.	Xian Yi	May-04-09
	CHK.	YK Liao	May-04-09
SCALE 2:1 SHT 2 OF 2	APP.	Joe Huff	May-04-09

DOC. REV.: A/4

PROPRIETARY Document is the property of XFMRs Group & is not allowed to be duplicated without authorization.