

PLEASE CHECK WWW.MOLEX.COM FOR LATEST PART INFORMATION

Part Number: [0987871011](#)
Status: **Active**
Overview: [mox crimp terminals](#)
Description: 2.54mm (.100") Pitch Pitch MOX Plug Housing, 6 Circuits, Black

Documents:

[Application Specification \(PDF\)](#) [RoHS Certificate of Compliance \(PDF\)](#)
[Drawing \(PDF\)](#)

General

Product Family	Crimp Housings
Series	98787
Comments	2x3 Circuits, Contact Retention Force without secondary locking: 40N, with secondary locking: 60N
Overview	mox crimp terminals
Product Name	MOX

Physical

Circuits (maximum)	6
Circuits Detail	6 x 0.635 mm
Color - Resin	Black
Gender	Male
Glow-Wire Compliant	No
Keying to Mating Part	None
Lock to Mating Part	Yes
Material - Resin	Nylon
Number of Rows	2
Packaging Type	Bag
Panel Mount	No
Pitch - Mating Interface (in)	0.100 In
Pitch - Mating Interface (mm)	2.54 mm
Pitch - Term. Interface (in)	0.100 In
Pitch - Term. Interface (mm)	2.54 mm
Polarized to Mating Part	Yes
Stackable	No
Temperature Range - Operating	-40°C to +100°C

Electrical

Current - Maximum per Contact	7.5A
-------------------------------	------

Material Info

Old Part Number	19911221
-----------------	----------

Reference - Drawing Numbers

Application Specification	AS-98787-001
Packaging Specification	PK-98787-001
Sales Drawing	SD-98787-001, SD-98787-002

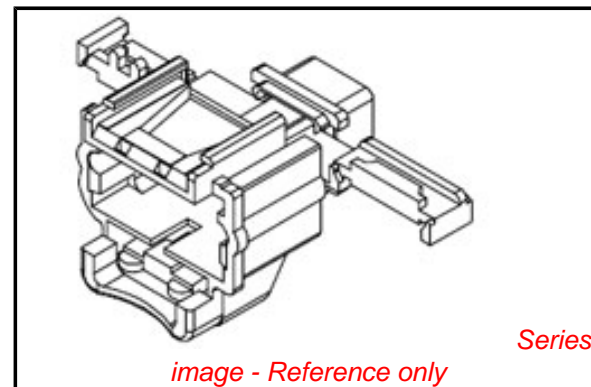


image - Reference only

EU RoHS

ELV and RoHS Compliant
REACH SVHC
Contains SVHC: No
Halogen-Free
Status

China RoHS



Not Reviewed

Need more information on product environmental compliance?

Email productcompliance@molex.com
For a multiple part number RoHS Certificate of Compliance, [click here](#)

Please visit the [Contact Us](#) section for any non-product compliance questions.

Search Parts in this Series

[98787Series](#)

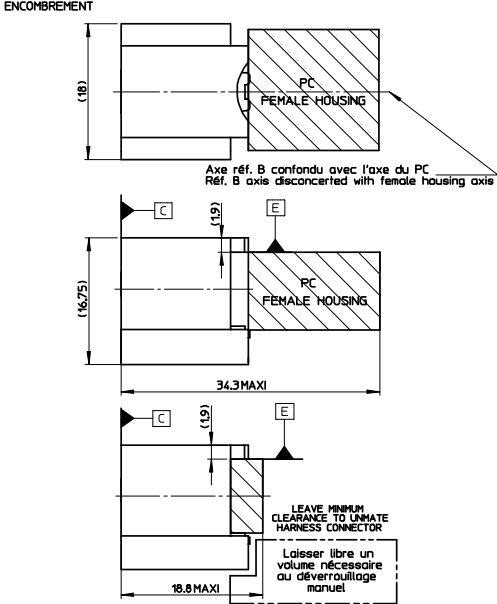
Mates With

[987861011](#) Wire-to-Wire, [981980001](#) Wire-to-Flex

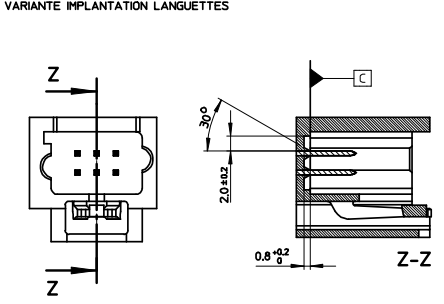
Use With

Contact Molex

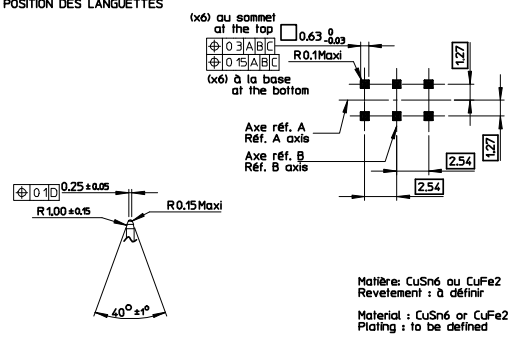
OVERALL DIMENSIONS



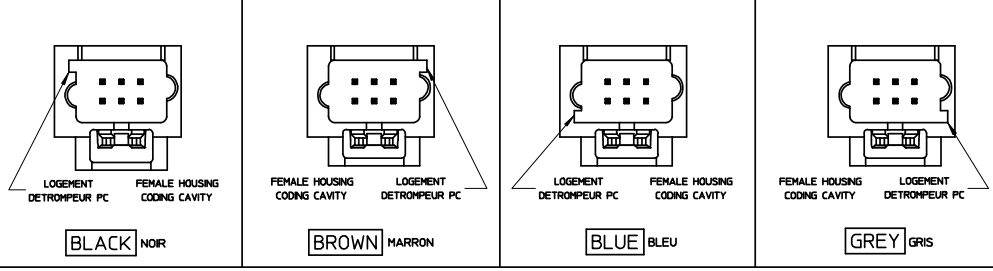
VARIANT PINS LOCATION



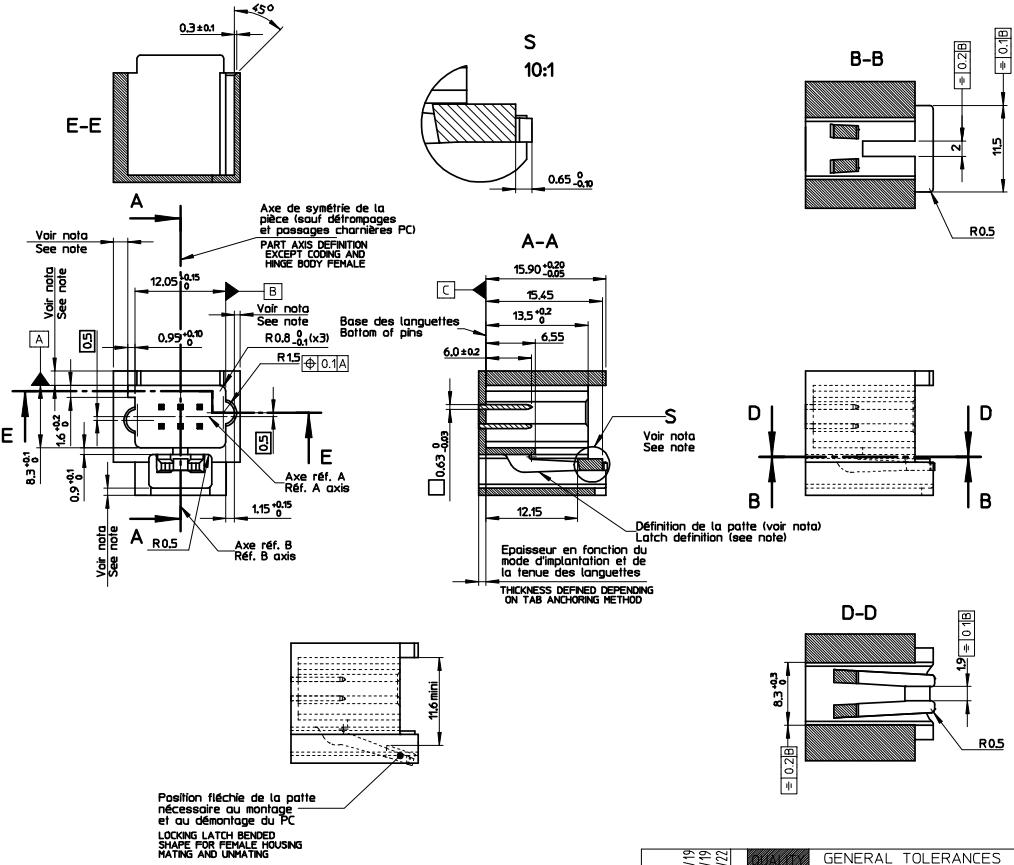
PINS POSITION



CODINGS / DETROMPAGES



BLACK CODING SHOWN



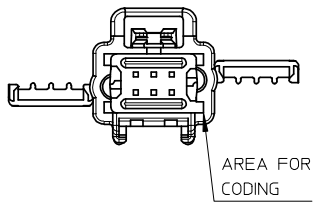
MODIFICATIONS

REV.	DESCRIPTIONS	NAME	DATE
A	X-RELEASED	PBO	07/03/15
B	SQUARE PINS: 0.63 0/-0.03 WAS 0.63 0/-0.30.	PGR	07/06/01
B1	SEE SHEET 2/2	VG	08/06/20

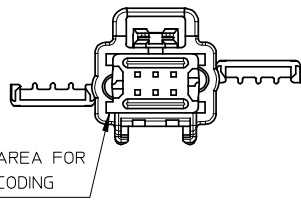
NOTA :
1 - COTATION ET GEOMETRIE A DEFINIR EN FONCTION DE LA MATIERE (VOIR PLANCHE 2)

NOTE :
1 - DIMENSIONS AND GEOMETRY TO BE DEFINED ACCORDING MATERIAL (SEE SHEET 2)

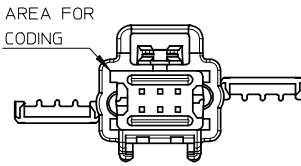
REVIEW NOTE	EC NO:	DRAWN BY	DATE	GENERAL TOLERANCES (UNLESS SPECIFIED)		DIMENSION STYLE		SCALE	DESIGN UNITS	FIRST ANGLE PROJECTION	
				mm	INCH	MM ONLY	DATE				
B1	0509	DRIVINGIERIN	2008/08/19	4 PLACES	± 0.1	MM ONLY	2007/03/15	3:1	METRIC	6 CKT INTERFACE FEMALE HOUSING	
		CHKD: JUDUCLOS	2008/08/19	3 PLACES	± 0.1						
		APPROLSTLEKER	2008/08/22	2 PLACES	± 0.1						
				1 PLACE	± 0.1						
				ANGULAR ± 1°		APPROVED BY		MATERIAL NO.			
				DRAFT WHERE APPLICABLE MUST REMAIN WITHIN DIMENSIONS		LSTICKEIR		N/A		MATERIAL NO. SD-98787-001	
						DATE		DOCUMENT NO.		SHEET NO.	
						2007/03/15		SD-98787-001		1 OF 2	
THIS DRAWING CONTAINS INFORMATION THAT IS PROPRIETARY TO MOLEX INCORPORATED AND SHOULD NOT BE USED WITHOUT WRITTEN PERMISSION											



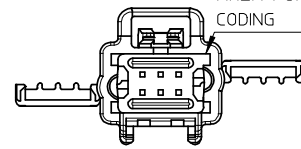
AREA FOR CODING



AREA FOR CODING

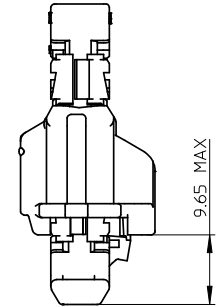
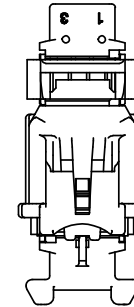
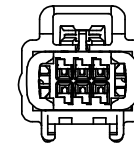


AREA FOR CODING

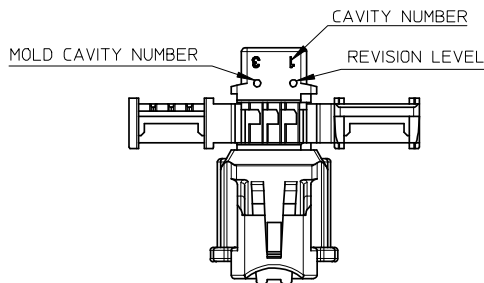
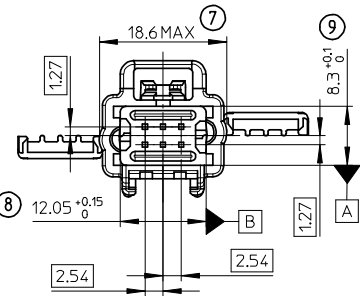
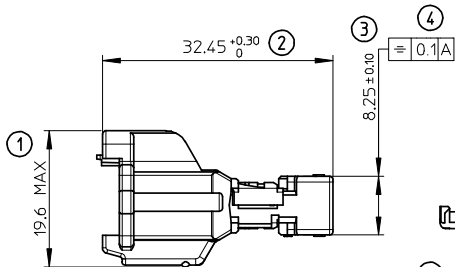
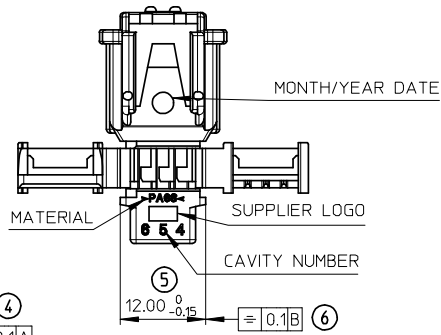


AREA FOR CODING

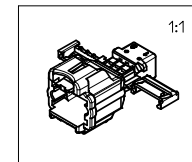
MATERIAL NUMBER	0987871011	MATERIAL NUMBER	0987871019	MATERIAL NUMBER	0987871018	MATERIAL NUMBER	0987871016
COLOR	BLACK	COLOR	BROWN	COLOR	GREY	COLOR	BLUE



NECESSARY VOLUME FOR THE HOUSING ASSEMBLY.
ALLOW AN ADDITIONAL VOLUME FOR THE UNMATING



- NOTES :
- 1-MATERIAL : POLYAMIDE (PA66) UNFILLED , UL94V-2
 - 2-USE WITH : MQS ® PIN TERMINAL OR COMPATIBLE
 - 3-APPLICATION SPECIFICATION : AS-98787-001
 - 4-MATE WITH : SERIES 98786
 - 5-WEIGHT : 2.150 g



FIRST RELEASE EC NO: G2008-0366 DRAWN: VGUERIN 2008/03/25 CHKD: JLDUCLOS 2008/03/25 APPR: LSTICKEIR 2008/03/27	DESCRIPTION [REDACTED]	GENERAL TOLERANCES (UNLESS SPECIFIED)		DIMENSION STYLE MM ONLY	SCALE 2:1	DESIGN UNITS METRIC	THIRD ANGLE PROJECTION	
		4 PLACES ± --- ± ---	mm INCH	DRAWN BY VGUERIN	DATE 2008/03/14	TITLE MOX PIN HSG 0.635 6CKT		
		3 PLACES ± --- ± ---		CHECKED BY JLDUCLOS	DATE 2008/03/14	MATERIAL NO.		
		2 PLACES ± 0.05 ± ---		APPROVED BY LSTICKEIR	DATE 2008/03/14	MOLEX INCORPORATED		
		1 PLACE ± 0.10 ± ---		MATERIAL NO.	DOCUMENT NO.	SD-98787-002		
DRAFT WHERE APPLICABLE MUST REMAIN WITHIN DIMENSIONS		ANGULAR ± 2 °		SEE CHART		SHEET NO. 1 OF 1		
THIS DRAWING CONTAINS INFORMATION THAT IS PROPRIETARY TO MOLEX INCORPORATED AND SHOULD NOT BE USED WITHOUT WRITTEN PERMISSION								