



CERAMIC RESONATORS

MHz/KHz Type Ceramic Resonators

Token Electronics Industry Co., Ltd.

Taiwan: No. 137, Sec. 1, Chung Shin Rd., Wu Ku Hsiang, Taipei Hsien, Taiwan, R.O.C
TEL: 886-2-2981 0109; FAX: 886-2-2988 7487

China: 12F, Zhongxing Industry Bld., Chuangye Rd., Nanshan District, Shenzhen, Guangdong
TEL: 86-755-2605 5363, 2605 5364; FAX: 86-755-2605 5365



<http://www.token.com.tw>



rfq@token.com.tw

Product Index

Information

| | |
|---------------------------------------|----|
| ● General Information ----- | 01 |
| ● Applications & Notice ----- | 02 |
| ● Crystal VS Ceramic Resonators ----- | 04 |

MHz Type Ceramic Resonators

| | |
|--|----|
| ● ZTA Series ----- | 06 |
| ● ZTT Series - with Built-in Capacitor ----- | 10 |
| ● SMD ZTAC / ZTTC Series ----- | 13 |

KHz Type Ceramic Resonators

| | |
|---------------------------------------|----|
| ● ZTB Series ----- | 19 |
| ● Surface Mountable ZTBY Series ----- | 22 |
| ● ZTB 456F Series ----- | 25 |
| ● ZTB 500/503F Series ----- | 25 |
| ● ZTB 912F Series ----- | 25 |

Notice: Specification Changed or Version Updated will be posted at irregular intervals.
All Updated and Final Specifications, Please Confirm with TOKEN ELECTRONICS
REPRESENTATIVES.

✉: rfq@token.com.tw

🏠: <http://www.token.com.tw>



Information of Ceramic Resonators

Token Ceramic Cuts Resonator Size and Cost

Token's ceramic resonators are made of high stability piezoelectric ceramics that function as a mechanical resonator. This device has been developed to function as a reference signal generator. The frequency is primarily adjusted by the size and thickness of the ceramic element. With the advance of the IC technology, various equipment may be controlled by a single LSI (Large-Scale Integration) integrated circuit, such as the one-chip microprocessor.

Ceramic resonator can be used as the timing element in most microprocessor based equipment. In the future, more and more applications will use ceramic resonators because of its high stability nonadjustment performance, miniature size and cost savings.

Typical applications include TVs, VCRs, remote controls and toys, voice synthesizers, automotive electronic devices, copiers, telephones, cameras, communication equipment.

Ceramic Resonator Catalogue in PDF file (257KB) is available to download.

Applications & Notice of Ceramic Resonators

- **Operating Temperature Ranges**

The Ceramic Resonators should not be operated beyond the Operating Temperature Range specified in the catalog.

- **Changes/Drifts in Oscillating Frequency**

Oscillating frequency may drift depending upon the controlling IC and/or external capacitors C1 and C2 used in the circuit design.

Token standard resonator is adjusted with our standard measuring circuit. There could be slight shift in frequency other types of IC are used. When you require exact oscillation frequency in your application, we can adjust it with your specified circuit on request.

- **Fail-Safe Design for Equipment**

When using The Ceramic Resonators, it is recommended that you build a protective failsafe circuit into your design to prevent equipment damage in the event that the resonator malfunctions or fails.

- **Abnormal Oscillation**

The Ceramic Resonators are always accompanied by spurious resonances. Spurious oscillations or stoppage of oscillation may occur depending on the circuit design (IC used, frequency characteristics of the IC,

- supply voltage etc.) and/or environmental conditions. These factors should be taken into consideration when designing the circuit.

- **Stray Capacitance**

Stray capacitances and insulation resistances on printed circuit boards may cause abnormal oscillation or stoppage of oscillation. These factors should be taken into consideration when designing the circuit.

- **Operating Temperature Ranges**

The Ceramic Resonators should not be operated beyond the Operating Temperature Range specified in the catalog.

- **Abnormal Mechanical Stresses**

Abnormal or excess mechanical stresses such as vibration or shock should be avoided when handling or storing resonators to prevent damage and cracking.

- **Surface Mounting Consideration**

In automated mounting of The Ceramic Resonators on printed circuit boards, any bending, expanding and pulling forces or shocks to the resonator should be kept to a minimum to prevent electrical failures and/or mechanical damage to the devices.

Prohibited Applications

- Flow Soldering should not be used to solder ceramic resonators.
- Please do not apply excess mechanical stress to the component and lead terminals at soldering.
- Ultrasonic Cleaning and Ultrasonic Welding should not be used on ceramic resonators to avoid possible damage.
- Avoid washing in water because it could deteriorate the resonator's performance characteristics.
- Avoid resin coating or potting for humidity protection because it could deteriorate the resonator's performance characteristics.

Crystal VS Ceramic Resonators

The majority of clock sources for microcontrollers can be grouped into two types: those based on mechanical resonant devices, such as crystals and ceramic resonators, and those based on electrical phase-shift circuits such as RC (resistor, capacitor) oscillators. Crystal and ceramic resonator-based oscillators (mechanical) typically provide very high initial accuracy and a moderately low temperature coefficient.

Power consumption is another important consideration of oscillator selection. The power consumption of discrete component crystal-oscillator circuits is primarily determined by the feedback-amplifier supply current and by the in-circuit capacitance values used. The power consumption of amplifiers fabricated in CMOS is largely proportional to the operating frequency and can be expressed as a power-dissipation capacitance value.

Ceramic resonator circuits typically specify larger load capacitance values than crystal circuits, and draw still more current than the crystal circuit using the same amplifier.

Advantage of Quartz Crystal Resonator

Good Frequency Accuracy and Good Stability Over Temperature.

Advantage of Ceramic Resonator

- **Cost Saving**
Lower cost than crystal resonators.
- **Smaller Package Size**
Miniaturized packaging technology results in very small mainstream packages. Built-in load capacitors are included in same miniature package.
- **Quicker Rise Up of Oscillation**
Rise time is generally approx. 1/102 of a crystal resonator, significantly faster startup possible.
- **Drive Level Free Circuit Design**
Due to better holding method of the ceramic element, drive level is not a concern for ceramic resonators.
- **Variety of Characteristics**
It is possible to control the material (type and amount) used to make the ceramic material, allowing for various characteristics to be achieve.
- **Overtone Oscillation with No Tank**
Materials used to make a ceramic material that naturally suppresses its own fundamental response and allows the third overtone response to be used as the oscillation frequency, without addition external tank circuit.

Replace the Crystal Resonators?

Ceramic resonators provide an attractive alternative to quartz crystals for oscillation frequency stabilization in many applications. Their low cost, mechanical ruggedness and small size often outweigh the reduced precision to which frequencies can be controlled, when compared to quartz devices. Token Ceramic resonators are now available in surface mountable packages suitable for automated production processes.

Reducing cost is a key issue for any existing or new design. A popular avenue for cost reduction is replacing a crystal resonator with a ceramic resonator, when possible.

The most important factor for this replacement is frequency tolerance. If your design can accept the looser frequency tolerance of a ceramic resonator, then you can gain the benefits offered by a modern ceramic resonator.

Besides cost reduction, ceramic resonators offer impressive size reductions and included two built-in load capacitors. This allows for smaller PCB area to be used and less time in part placement (one part verse three with a crystal).

CERAMIC RESONATORS 1.79 ~ 60.00 MHz

Token ZTA ceramic resonator is compatible to Murata CSA series

▶ Preview

Token ceramic resonators MHz (ZTA) series cover the frequency range of 1.79 MHz to 60.00 MHz with an initial frequency tolerance $f_0 \pm 0.5\%$, stability $\pm 0.3\%$ at operating temperature $-20^\circ\text{C} \sim +80^\circ\text{C}$, and aging tolerance $\pm 0.3\%$. The tight tolerance frees the design engineers from having to use Quartz Crystals higher cost components and still achieve desired performance and reliability targets.



Tolerance is the main key characteristics to evaluate for a resonator. The total tolerance is the addition of the initial tolerance, temperature tolerance and aging tolerance. Tighter tolerances are possible through design advancements, material refinement and manufacturing techniques. Token's design and material improve the temperature and aging characteristics of the resonator. Token's manufacturing ability sort to tighter initial tolerances.

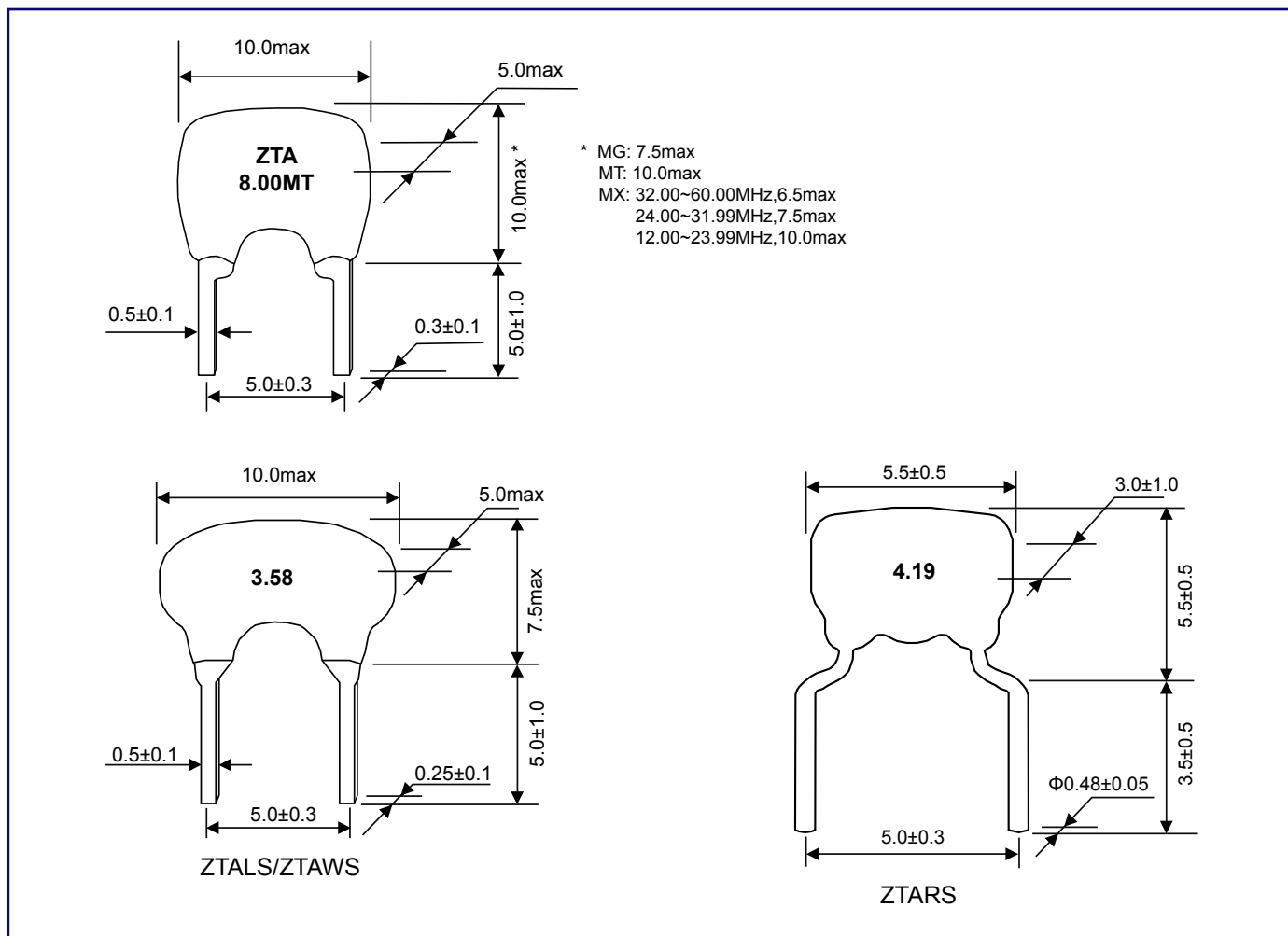
Ceramic resonators implement the mechanical resonance of piezoelectric ceramics, that result in different vibration behaviors (modes) depending on the resonance frequency. Token ZTA series design utilizes this ceramic substrate by applying two metal electrodes evenly placed on both sides of the substrate. When voltage is applied, vibration of the ceramic substrate occurs between the electrodes. The thickness of the ceramic substrate determines the resonant frequency of the resonator.

The ZTA series conform to the RoHS directive. Custom parts are available on request. Token will also produce devices outside these specifications to meet specific customer requirements, please contact our sales for more information.

Benefit Features :

- All ZTA are epoxy coated and completely washable.
- Resistant to damage from impact and vibration.
- Tape and reel package are both available.
- Excellent temperature stability ($\pm 0.3\%$).
- Low cost.

Dimensions



Technical Characteristics

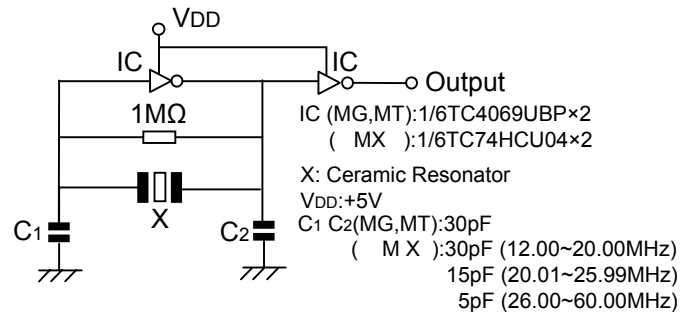
| Part Numbe | Frequency Range (MHz) | Frequency Accuracy (at 25°C) (%) | Stability in Temperature (-20°C ~ +80°C) (%) | Operating Temperature (°C) | Aging For Ten Years (%) |
|------------|-----------------------|----------------------------------|--|----------------------------|-------------------------|
| ZTA***MG | 1.79 ~ 6.00 | ± 0.5 | ± 0.3 | -20 ~ +80 | ± 0.3 |
| ZTAWs***MG | 1.79 ~ 6.00 | ± 0.5 | ± 0.3 | -20 ~ +80 | ± 0.3 |
| ZTALS***MG | 3.00 ~ 8.00 | ± 0.5 | ± 0.3 | -20 ~ +80 | ± 0.3 |
| ZTARS***MG | 3.00 ~ 10.00 | ± 0.5 | ± 0.3 | -20 ~ +80 | ± 0.3 |
| ZTA***MT | 6.00 ~ 13.00 | ± 0.5 | ± 0.3 | -20 ~ +80 | ± 0.3 |
| ZTA***MX | 12.00 ~ 60.00 | ± 0.5 | ± 0.3 | -20 ~ +80 | ± 0.3 |

Oscillation Circuit for MOS IC

ZTA Selection Understanding Oscillation Circuit for MOS IC

Loading Capacitor (C1 & C2)

The stability of the oscillation circuit is mainly determined by the C1 & C2 values. If the load capacitance is too small, unstable oscillation will occur because of oscillation waveform distortion. If too high, a stop in oscillation can be expected. When comparing the same IC, oscillation circuits with lower frequencies require higher capacitance.



Feedback Resistor (R = 1MΩ):

A Feedback Resistor is used to determine the oscillation circuit bias. The feedback resistance will contribute to instability if it is too large by reducing feedback. Conversely, if it is too small, increases in current will be realized thereby reducing gain. Recent developments in IC design allows for the integration of the feedback resistor in many cases.

Bias resistor (Rb optional):

A Bias Resistor can be utilized in the Ceramic Resonator Oscillation Circuit to change the bias point when a reduction in IC gain is required, or to suppress unstable oscillation. This may be especially considered when a 3 stage buffered IC, or TTL IC, is used. Token Engineers can help with the circuit design if needed.

Damping Resistor (Rd optional):

Abnormal harmonic oscillation can be suppressed using a dampening resistor. The dampening resistor and load capacitors work together as a low-pass filter to reduce gain in the MHz range of oscillation.

ZTA Resonator Optimum IC Evaluations

Tolerance is determined by the design of the resonator. However stability and correlation is determined by the IC evaluation. The microcontroller is evaluated with the ceramic resonators to determine the best possible circuit conditions to achieve stability and stable oscillation.

In addition, frequency correlation is measured to meet the tight initial frequency tolerance required. For the tight tolerance resonators the IC evaluation must be completed on the final circuit board layout. The final circuit boards provide the most accurate measurement of the frequency correlation.

This measurement will account for the effects of stray capacitance on the oscillation frequency. Once the correlation is determined the frequency of the resonator is adjusted to compensate for the correlation.

▶ **How to Order**

ZTA8.00MT

❶

P

❷

❶ Part Number

❷ Package

| Code | Package |
|------|-------------|
| P | Bulk |
| TR | Taping Reel |

[Back to 1st Page - Ceramic Resonators - ZTA](#)

CERAMIC RESONATORS 1.79 ~ 60.00 MHz

**Token Ceramic Resonator (ZTT)
is compatible to Murata CST Compatible**

▶ Preview

Ceramic resonators provide an attractive alternative to quartz crystals for oscillation frequency stabilization in many applications. When compared to quartz devices, ceramic resonators' easily mass production, low cost, mechanical ruggedness, and small size often outweigh the reduced precision to which frequencies can be controlled.

Additionally, ceramic resonators are better equipped to handle fluctuations in external circuit or power supply voltage due to their use of mechanical resonance and providing stable oscillation without adjustment. Further, these characteristics offer for a much faster rise times and are independent of drive level considerations.

Token ceramic resonator ZTT series is used as standard clocks for microprocessors in various electronic devices. Token produces miniaturized, high-performance ZTT resonator series using its superior fabrication, assembly and packaging technologies. The ZTT device offers frequency range from 1.79 MHz to 60.00 MHz with an initial frequency tolerance of $\pm 0.5\%$, stability tolerance $\pm 0.3\%$ at $-20^{\circ}\text{C} \sim +80^{\circ}\text{C}$, and aging tolerance $\pm 0.3\%$. The ZTT resonator features built-in capacitance with 3 lead terminals to eliminate any need for external loading capacitors and reduces component count. These devices conform to the RoHS directive.

Application of ceramic resonators specific designs also available including tighter tolerances and frequency adjusted to requirements.

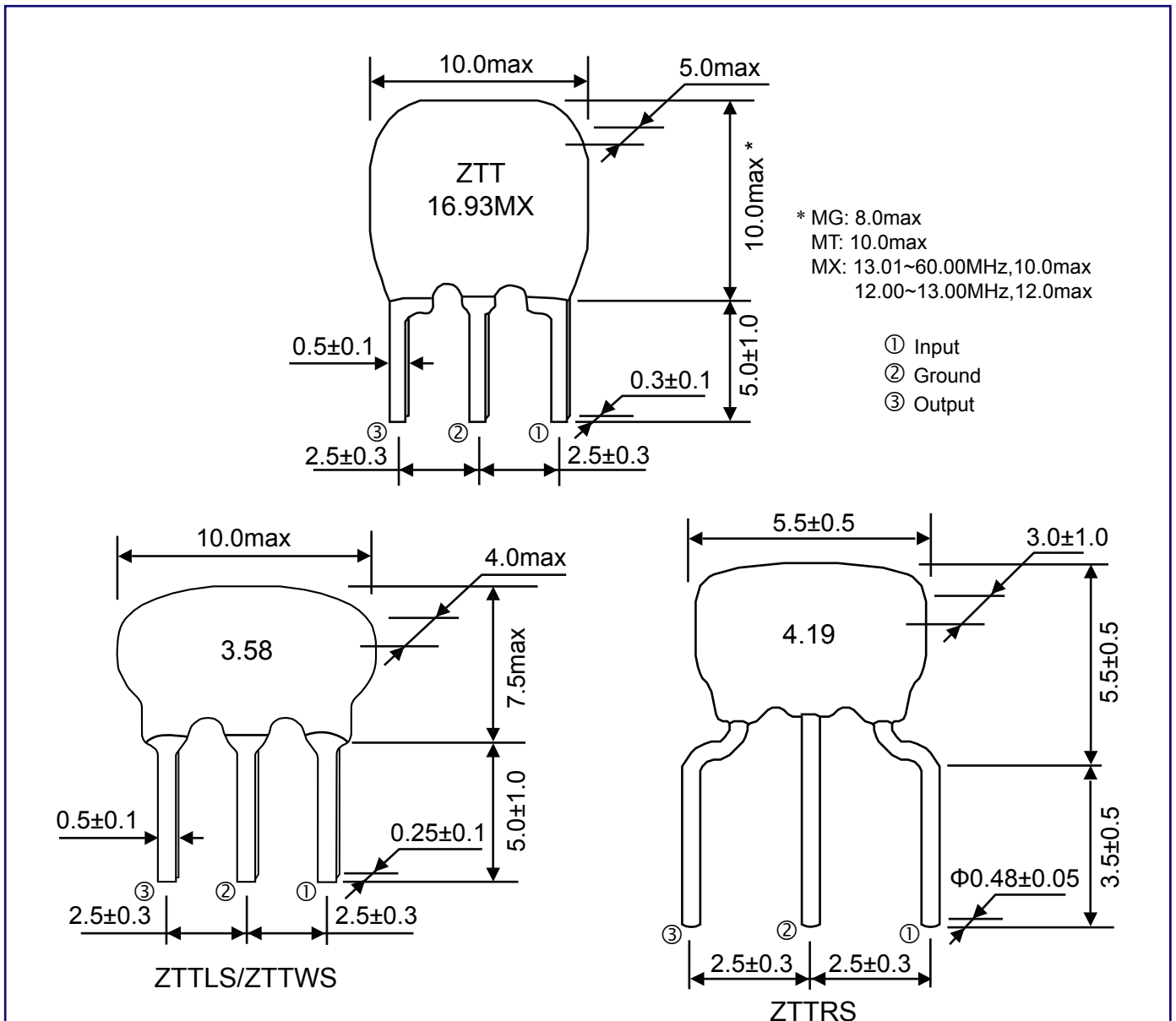
Please contact Token sales for more information.

Benefit Features :

- Built-in load capacitance reduced parts cost and mounting cost.
- Faster start-up time as compared to quartz crystals.
- Excellent temperature stability ($\pm 0.3\%$).
- High density mounting.
- Simplified circuit.
- Low cost.



► Dimensions



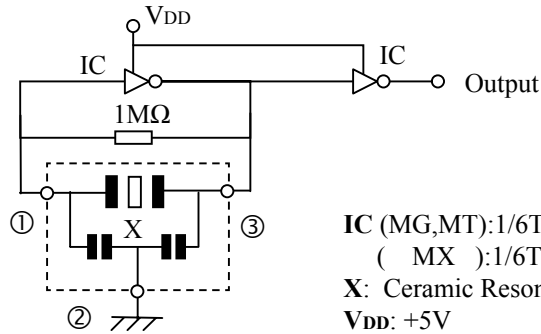
► Technical Characteristics

| Part Numbe | Frequency Range (MHz) | Frequency Accuracy (at 25°C) (%) | Stability in Temperature (-20°C ~ +80°C) (%) | Operating Temperature (°C) | Aging For Ten Years (%) |
|------------|-----------------------|----------------------------------|--|----------------------------|-------------------------|
| ZTT***MG | 1.79 ~ 6.00 | ±0.5 | ±0.3 | -20 ~ +80 | ±0.3 |
| ZTTWS***MG | 1.79 ~ 6.00 | ±0.5 | ±0.3 | -20 ~ +80 | ±0.3 |
| ZTTLS***MG | 3.00 ~ 8.00 | ±0.5 | ±0.3 | -20 ~ +80 | ±0.3 |
| ZTTRS***MG | 3.00 ~ 10.00 | ±0.5 | ±0.3 | -20 ~ +80 | ±0.3 |
| ZTT***MT | 6.00 ~ 13.00 | ±0.5 | ±0.3 | -20 ~ +80 | ±0.3 |
| ZTT***MX | 12.00 ~ 60.00 | ±0.5 | ±0.3 | -20 ~ +80 | ±0.3 |

▶ Test Circuit for MOS IC

Loading Capacitor (C1 & C2)

The stability of the oscillation circuit is mainly determined by the C1 & C2 values. If the load capacitance is too small, unstable oscillation will occur because of oscillation waveform distortion. If too high, a stop in oscillation can be expected. When comparing the same IC, oscillation circuits with lower frequencies require higher capacitance.



IC (MG,MT):1/6TC4069UBP×2
 (MX):1/6TC74HCU04×2
 X: Ceramic Resonator
 V_{DD}: +5V

Feedback Resistor (R = 1MΩ):

A Feedback Resistor is used to determine the oscillation circuit bias. The feedback resistance will contribute to instability if it is too large by reducing feedback. Conversely, if it is too small, increases in current will be realized thereby reducing gain. Recent developments in IC design allows for the integration of the feedback resistor in many cases.

Damping Resistor (R_d optional):

Abnormal harmonic oscillation can be suppressed using a dampening resistor. The dampening resistor and load capacitors work together as a low-pass filter to reduce gain in the MHz range of oscillation.

Bias resistor (R_b optional):

A Bias Resistor can be utilized in the Ceramic Resonator Oscillation Circuit to change the bias point when a reduction in IC gain is required, or to suppress unstable oscillation. This may be especially considered when a 3 stage buffered IC, or TTL IC, is used.

Token Engineers can help with the circuit design if needed.

(ZTT) Resonator Optimum - IC Evaluations

Tolerance is determined by the design of the resonator. However stability and correlation is determined by the IC evaluation. The microcontroller is evaluated with the ceramic resonators to determine the best possible circuit conditions to achieve stability and stable oscillation.

In addition, frequency correlation is measured to meet the tight initial frequency tolerance required. For the tight tolerance resonators the IC evaluation must be completed on the final circuit board layout. The final circuit boards provide the most accurate measurement of the frequency correlation.

This measurement will account for the effects of stray capacitance on the oscillation frequency. Once the

▶ How to Order

ZTT16.93MX

①

① Part Number

P

②

② Package

| Code | Package |
|------|-------------|
| P | Bulk |
| TR | Taping Reel |

Back to 1st Page - Ceramic Resonators - ZTT

CERAMIC RESONATORS SMD 1.79 ~ 50.00 MHz

**ZTAC/ZTTC Series is The Smallest Chip
Ceramic Resonators (Murata CSAC/CSTC Compatible)**

► Preview

Previously, only higher cost quartz crystal resonators were considered for CAN bus application, due to tighter frequency tolerance requirements than for traditional automotive bus applications. Nowadays, Token utilizes the latest ceramic piezo technology freeing the design engineers from having to use these higher cost components and still achieve desired reliability and performance targets.

Token ZTAC and ZTTC series are the SMD ceramic resonators that meet the frequency tolerance $\pm 0.5\%$, temperature tolerance $\pm 0.3\% \sim \pm 0.4\%$, and aging tolerance $\pm 0.3\%$. The ZTAC and ZTTC covers the frequency range of 1.79 MHz to 50.00 MHz. ZTTC series features a built-in load capacitance. This feature eliminates any need for external loading capacitors and reduces component count, increases reliability and reduces size.

The ZTACE \times MG (3.2 x 1.3 mm) with (max) profile 1.0 mm and ZTACW \times MX (2.5 x 2.0 mm) with (max) profile 1.5 mm are the smallest resonators for their respective frequency ranges. All ZTAC and ZTTC series are surface mount devices (SMD) with operating temperature range is -20°C to $+80^{\circ}\text{C}$.

Tolerance is the main key characteristics to evaluate for a resonator. The total tolerance is the addition of the initial tolerance, temperature tolerance and aging tolerance. Tighter tolerances are possible through design advancements, material refinement and manufacturing techniques. Token's design and material improve the temperature and aging characteristics of the resonator. Token's manufacturing ability sort to tighter initial tolerances.

Custom parts are available on request. Token will also produce devices outside these specifications to meet specific customer requirements, please contact Token sales for more information.

Benefit Features :

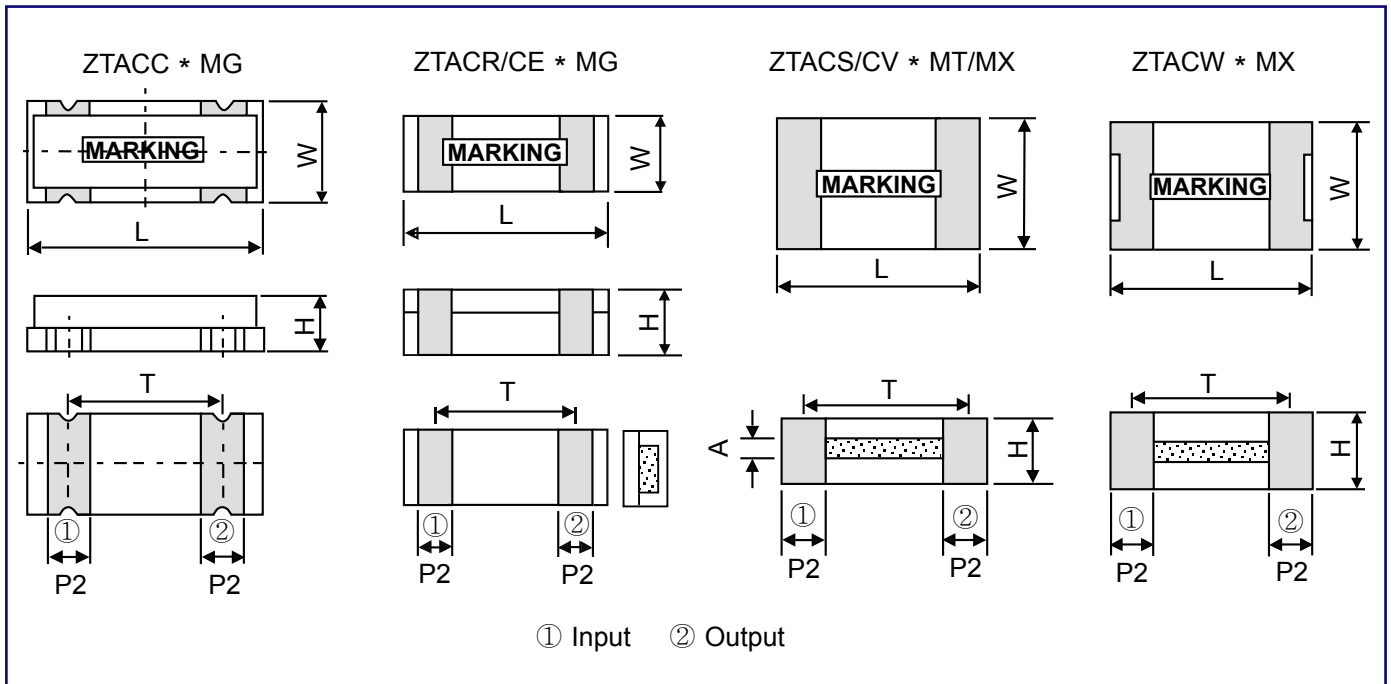
- High reliability chip resonator with high temperature withstanding ceramic case.
- Ultra-miniature size is suitable for compact equipment high mounting density.
- Low profile, Reflow solderable, Excellent solderability.

Applications :

- Car accessories.
- PDAs, PC peripherals.
- Camcorders, Digital cameras.



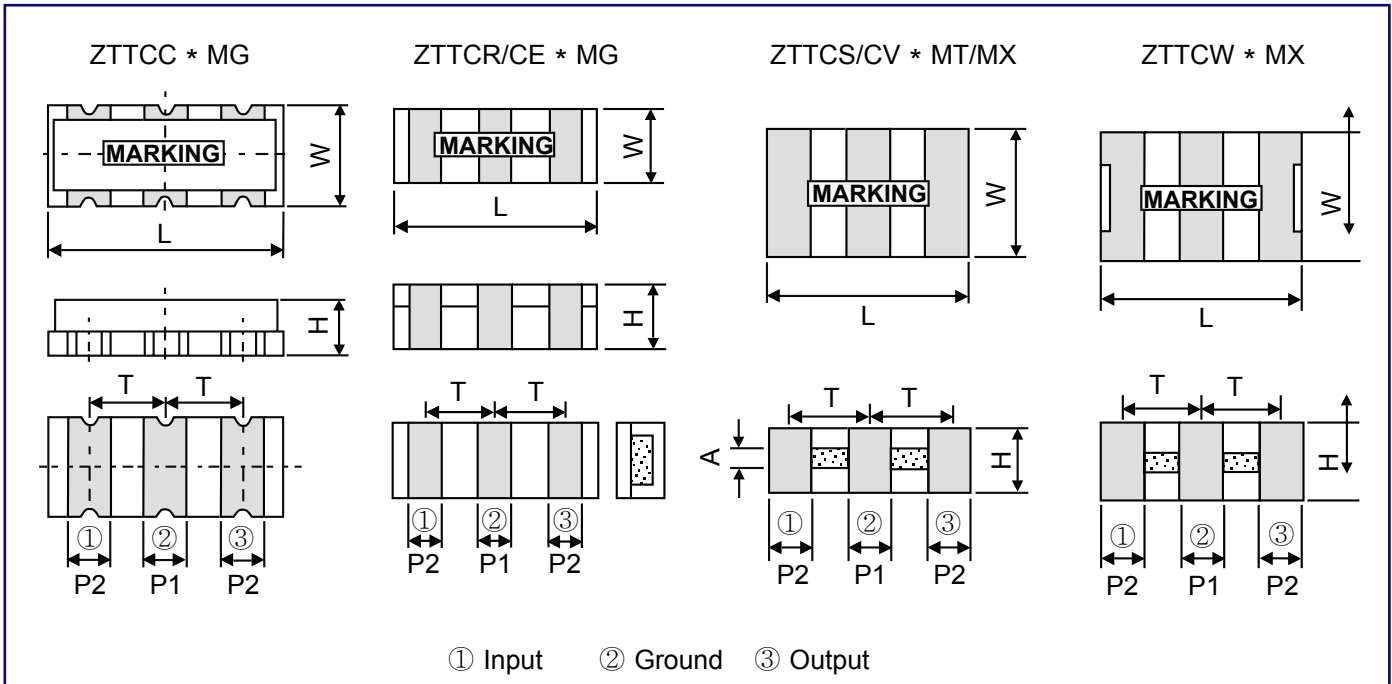
SMD (ZTAC) Dimensions



| Part Number | Dimensions (Unit: mm) | | | | |
|-------------|-----------------------|---------|-------------|---------|---------|
| | L | W | H | P2 | T |
| ZTACC*MG | 7.4±0.2 | 3.4±0.2 | 1.8±0.2 | 1.2±0.2 | 5.0±0.3 |
| ZTACR*MG | 4.5±0.2 | 2.0±0.2 | 1.2max | 0.8±0.2 | 3.0±0.2 |
| ZTACE*MG | 3.2±0.1 | 1.3±0.1 | 1.0max | 0.4±0.1 | 2.4±0.1 |
| ZTACS*MT/MX | 4.7±0.2 | 4.1±0.2 | (1.2+A)±0.2 | 0.8±0.2 | 3.9±0.2 |
| ZTACV*MT/MX | 3.7±0.2 | 3.1±0.2 | (1.0+A)±0.2 | 0.7±0.2 | 3.0±0.2 |
| ZTACW*MX | 2.5±0.2 | 2.0±0.2 | 1.5max | 0.4±0.2 | 2.0±0.2 |

Note: A stands for thickness of the ceramic element, which varies with the frequency. The range of the thickness is 0.1 to 0.7mm.

SMD (ZTTC) Dimensions



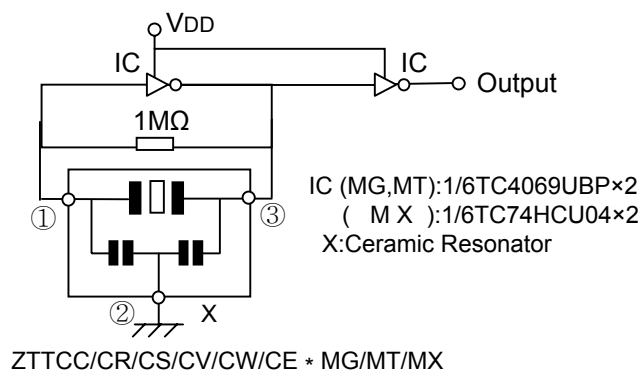
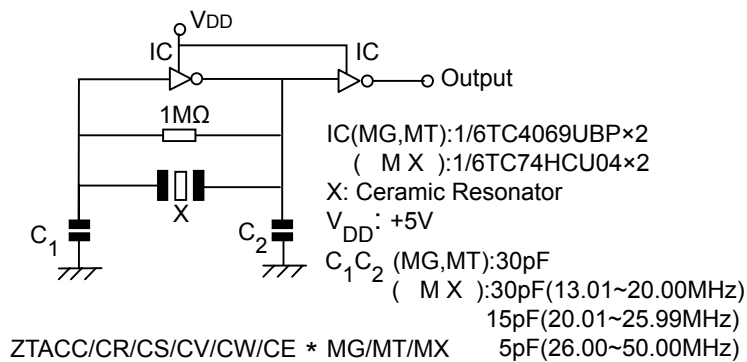
| Part Number | Dimensions (Unit: mm) | | | | | |
|-------------|-----------------------|---------|-------------|---------|---------|----------|
| | L | W | H | P1 | P2S | T |
| ZTTCC*MG | 7.4±0.2 | 3.4±0.2 | 1.8±0.2 | 1.2±0.2 | 1.2±0.2 | 2.5±0.3 |
| ZTTCR*MG | 4.5±0.2 | 2.0±0.2 | 1.2max | 0.8±0.2 | 0.8±0.2 | 1.5±0.2 |
| ZTTCE*MG | 3.2±0.1 | 1.3±0.1 | 1.0max | 0.4±0.1 | 0.4±0.1 | 1.2±0.1 |
| ZTTCS*MT/MX | 4.7±0.2 | 4.1±0.2 | (1.2+A)±0.2 | 1.0±0.2 | 0.8±0.2 | 1.95±0.2 |
| ZTTCV*MT/MX | 3.7±0.2 | 3.1±0.2 | (1.0+A)±0.2 | 0.9±0.2 | 0.7±0.2 | 1.5±0.2 |
| ZTTCW*MX | 2.5±0.2 | 2.0±0.2 | 1.5max | 0.5±0.2 | 0.4±0.2 | 1.0±0.2 |

Note: A stands for thickness of the ceramic element, which varies with the frequency. The range of the thickness is 0.1 to 0.7mm.

▶ Technical Characteristics

| Part Number | Frequency Range (MHz) | Frequency Accuracy (%) | Stability in Temperature (-20°C ~ +80°C) (%) | Aging for Ten Years (%) |
|---------------------|-----------------------|------------------------|--|-------------------------|
| ZTACC*MG / ZTTC*MG | 1.79 ~ 8.00 | ± 0.5 | ± 0.3 | ± 0.3 |
| ZTACR*MG / ZTTCR*MG | 4.00 ~ 8.00 | ± 0.5 | ± 0.3 | ± 0.3 |
| ZTACS*MT / ZTTCS*MT | 6.00 ~ 13.00 | ± 0.5 | ± 0.4 | ± 0.3 |
| ZTACV*MT / ZTTCV*MT | 8.00 ~ 13.00 | ± 0.5 | ± 0.4 | ± 0.3 |
| ZTACE*MG / ZTTCE*MG | 8.00 ~ 13.00 | ± 0.5 | ± 0.4 | ± 0.3 |
| ZTACS*MX / ZTTCS*MX | 13.01 ~ 50.00 | ± 0.5 | ± 0.3 | ± 0.3 |
| ZTACV*MX / ZTTCV*MX | 16.00 ~ 50.00 | ± 0.5 | ± 0.3 | ± 0.3 |
| ZTACW*MX / ZTTCW*MX | 20.00 ~ 45.00 | ± 0.5 | ± 0.3 | ± 0.3 |

▶ Chip (ZTAC/ZTTC) Test Circuit for MOS IC



▶ (ZTAC/ZTTC) Resonator Application - Oscillation Circuit for MOS IC**Feedback Resistor ($R = 1M\Omega$):**

A Feedback Resistor is used to determine the oscillation circuit bias. The feedback resistance will contribute to instability if it is too large by reducing feedback. Conversely, if it is too small, increases in current will be realized thereby reducing gain. Recent developments in IC design allows for the integration of the feedback resistor in many cases.

Bias resistor (R_b optional):

A Bias Resistor can be utilized in the Ceramic Resonator Oscillation Circuit to change the bias point when a reduction in IC gain is required, or to suppress unstable oscillation. This may be especially considered when a 3 stage buffered IC, or TTL IC, is used.

Damping Resistor (R_d optional):

Abnormal harmonic oscillation can be suppressed using a dampening resistor. The dampening resistor and load capacitors work together as a low-pass filter to reduce gain in the MHz range of oscillation.

Loading Capacitor (C_1 & C_2)

The stability of the oscillation circuit is mainly determined by the C_1 & C_2 values. If the load capacitance is too small, unstable oscillation will occur because of oscillation waveform distortion. If too high, a stop in oscillation can be expected. When comparing the same IC, oscillation circuits with lower frequencies require higher capacitance. Token Engineers can help with the circuit design if needed.

▶ (ZTAC/ZTTC) Resonator Optimization - IC Evaluations

Tolerance is determined by the design of the resonator. However stability and correlation is determined by the IC evaluation. The microcontroller is evaluated with the ceramic resonators to determine the best possible circuit conditions to achieve stability and stable oscillation.

In addition, frequency correlation is measured to meet the tight initial frequency tolerance required. For the tight tolerance resonators the IC evaluation must be completed on the final circuit board layout. The final circuit boards provide the most accurate measurement of the frequency correlation.

This measurement will account for the effects of stray capacitance on the oscillation frequency. Once the correlation is determined the frequency of the resonator is adjusted to compensate for the correlation.

Recommended Land Pattern

RECOMMENDED LAND PATTERN:

ZTACC/CR/CS/CV/CW/CE * MG/MT/MX

ZTTC/CR/CS/CV/CW/CE * MG/MT/MX

| Part Number | Dimensions (Unit: mm) | | | |
|-------------|-----------------------|---------|----------|---------|
| | T1 | T2 | T3 | W1 |
| ZTACC*MG | | 1.7±0.3 | 5.0±0.3 | 4.0±0.3 |
| ZTACR*MG | | 0.8±0.2 | 3.0±0.2 | 2.6±0.2 |
| ZTACS*MT/MX | | 0.8±0.2 | 3.9±0.2 | 5.0±0.2 |
| ZTACV*MT/MX | | 0.7±0.2 | 3.0±0.2 | 4.1±0.2 |
| ZTACW*MX | | 0.5±0.2 | 2.0±0.2 | 2.6±0.2 |
| ZTTC*MG | 1.5±0.3 | 1.7±0.3 | 2.5±0.3 | 4.0±0.3 |
| ZTTCR*MG | 0.8±0.2 | 0.8±0.2 | 1.5±0.2 | 2.6±0.2 |
| ZTTCV*MT/MX | 1.3±0.2 | 0.8±0.2 | 1.95±0.2 | 5.0±0.2 |
| ZTTCW*MX | 1.0±0.2 | 0.7±0.2 | 1.5±0.2 | 4.1±0.2 |
| ZTTCW*MX | 0.5±0.2 | 0.5±0.2 | 1.0±0.2 | 2.6±0.2 |

How to Order

ZTACC5.00MG

TR

❶
❷

❶ Part Number

❷ Package

| Code | Package |
|------|-------------|
| TR | Taping Reel |

Ceramic Resonators

190 ~ 1250 KHz

**KHz Ceramic Resonators (ZTB)
are Murata CSB Compatible**

► Preview

The ZTB series ceramic resonators owe their development to Token's expert technologies and the application of mass production techniques typically utilized in the manufacture of piezoelectric ceramic components. Because of their consistent high quality and high mechanical Q, the ZTB series are ideally suited to remote control unit and microprocessor applications.

Token Ceramic Resonators KHz (ZTB) series is designed to provide the engineer with a rugged, relatively low frequency device in the frequency range of 190 kHz to 1,250 kHz. Initial frequency tolerance is $\pm 0.5\%$ which compares very favorably to the nominal $\pm 2\% \sim \pm 3\%$ requirements of one chip microprocessors. Stability and Aging Tolerance are tight to $\pm 0.3\%$.

The ZTB series conform to the RoHS directive. Token will also produce devices outside these specifications to meet customer requirements, with comprehensive application engineering and design support available for customers worldwide. Please contact our sales for more information.

Benefit Features :

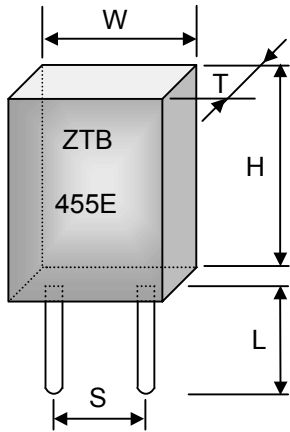
- Oscillating circuits requiring no adjustment can be designed by utilizing these resonators in conjunction with transistors or appropriate ICs.
- The ZTB series is stable over a wide temperature range and with respect to long-term aging.
- Miniature and lightweight, standardized for use in low profile devices.
- Highly reliable design with excellent environmental resistance.
- The ZTB series comprises fixed, tuned, solid-state devices.
- Operation Temperature ($-20^{\circ}\text{C} \sim +80^{\circ}\text{C}$).
- Low cost.

Applications :

- Square-wave and sine-wave oscillators.
- Clock generator for microprocessors.
- Remote control systems.



Dimensions



| Frequency Range (kHz) | W width | T thickness | H height | S lead space | L lead length |
|-----------------------|---------|-------------|----------|--------------|---------------|
| 190~249 | 13.5 | 3.6 | 14.7 | 10.0 | 8.0 |
| 250~374 | 11.0 | 3.6 | 12.2 | 7.7 | 7.0 |
| 375~429 | 7.9 | 3.6 | 9.3 | 5.0 | 6.0 |
| 430~699 | 7.0 | 3.5 | 9.0 | 5.0 | 4.0(6.0) |
| 700~1250 | 5.1 | 2.2 | 6.3 | 2.5 | 4.0 |

Technical Characteristics

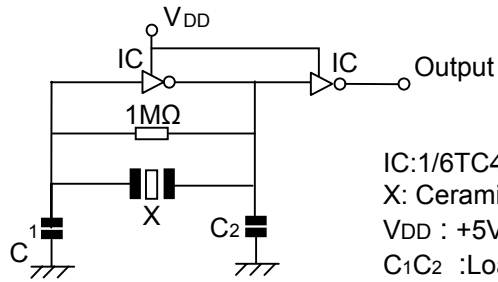
| Part Number | Frequency Accuracy (at 25°C) | Resonant Impedance (Ω) | Stability in Temperature (-20°C~+80°C)(%) | Aging For 10 Years (%) | Load Capacitance (pF) | |
|---------------------|------------------------------|---------------------------------|---|------------------------|-----------------------|-----|
| | | | | | C1 | C2 |
| ZTB82 ~ ZTB189 * | ± 2 kHz | ≤ 20 | ± 0.3 | ± 0.3 | / | / |
| ZTB190D ~ ZTB249D | ± 1 kHz | ≤ 20 | ± 0.3 | ± 0.3 | 330 | 470 |
| ZTB250D ~ ZTB374D | ± 1 kHz | ≤ 20 | ± 0.3 | ± 0.3 | 220 | 470 |
| ZTB375P ~ ZTB429P | ± 2 kHz | ≤ 20 | ± 0.3 | ± 0.3 | 120 | 470 |
| ZTB430E ~ ZTB509E | ± 2 kHz | ≤ 20 | ± 0.3 | ± 0.3 | 100 | 100 |
| ZTB510P ~ ZTB699P | ± 2 kHz | ≤ 30 | ± 0.3 | ± 0.3 | 100 | 100 |
| ZTB700J ~ ZTB999J | $\pm 0.5\%$ | ≤ 70 | ± 0.3 | ± 0.3 | 100 | 100 |
| ZTB1000J ~ ZTB1250J | $\pm 0.5\%$ | ≤ 100 | ± 0.3 | ± 0.3 | 100 | 100 |

* Note : ZTB82 ~ ZTB189 series is new products of custom design.

KHz (ZTB) Resonator Selection - Test Circuit for MOS IC

Loading Capacitor (C1 & C2)

The stability of the oscillation circuit is mainly determined by the C1 & C2 values. If the load capacitance is too small, unstable oscillation will occur because of oscillation waveform distortion. If too high, a stop in oscillation can be expected. When comparing the same IC, oscillation circuits with lower frequencies require higher capacitance. Token Engineers can help with the circuit design if needed.



IC: 1/6TC4069UBP×2
 X: Ceramic Resonator
 VDD : +5V
 C1C2 : Load Capacitance

Feedback Resistor (R = 1MΩ):

A Feedback Resistor is used to determine the oscillation circuit bias. The feedback resistance will contribute to instability if it is too large by reducing feedback. Conversely, if it is too small, increases in current will be realized thereby reducing gain. Recent developments in IC design allows for the integration of the feedback resistor in many cases.

KHz (ZTB) Resonator Optimum - IC Evaluations

Due to the properties of ceramic resonators, IC matching must be studied and performed to satisfy oscillation conditions.

Tolerance is determined by the design of the resonator. However stability and correlation is determined by the IC evaluation. The microcontroller is evaluated with the ceramic resonators to determine the best possible circuit conditions to achieve stability and stable oscillation.

In addition, frequency correlation is measured to meet the tight initial frequency tolerance required. For the tight tolerance resonators the IC evaluation must be completed on the final circuit board layout. The final circuit boards provide the most accurate measurement of the frequency correlation.

This measurement will account for the effects of stray capacitance on the oscillation frequency. Once the correlation is determined the frequency of the resonator is adjusted to compensate for the correlation.

How to Order

ZTB455E P

①

②

① Part Number

② Package

| Code | Package |
|------|-------------|
| P | Bulk |
| TR | Taping Reel |

[Back to 1st Page - Ceramic Resonators - ZTB](#)

Surface Mountable Ceramic Resonators

Surface Mountable Formed Leads Ceramic Resonators (Murata CSBF Compatible)

▶ Preview

Token manufactures a broad range of high quality Ceramic Resonators covering both the KHz and Mhz frequency ranges and a full range of industry standard Through Hole and Surface Mount resonators both with and without internal capacitors. The high quality and extensive coverage of this product line allows optimum design of almost any oscillating circuit.wide variety of applications.

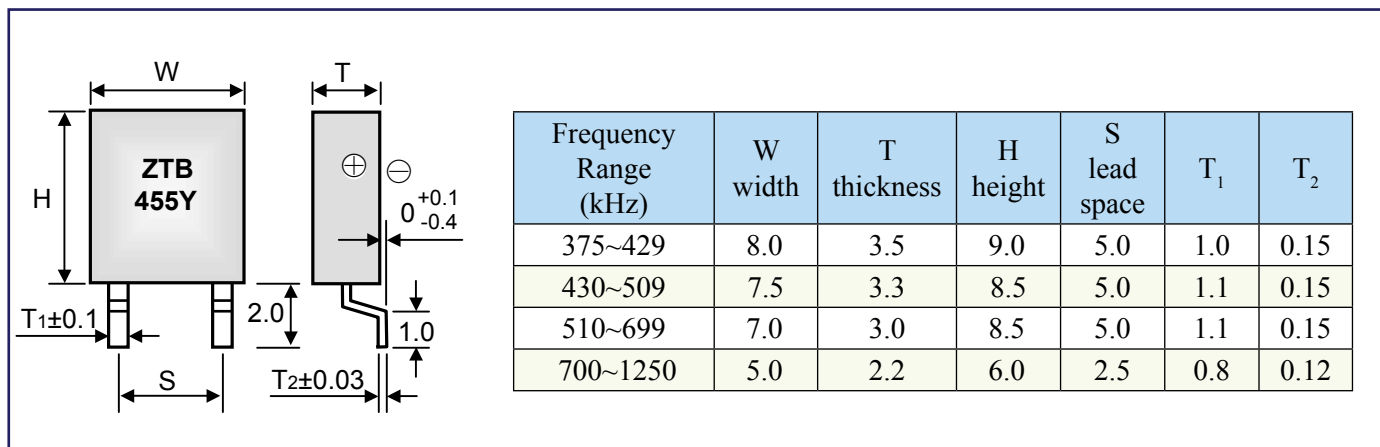
The surface mountable Ceramic resonators (ZTBY) is one of ZTB device series with the frequency range of 375 kHz to 1,250 kHz. Initial frequency tolerance is $\pm 0.5\%$ which compares very favorably to the nominal $\pm 2\% \sim \pm 3\%$ requirements of one chip microprocessors. Stability and Aging Tolerance narrows to $\pm 0.3\%$. The ZTBY Resonator provides reliable start up and stable oscillation in microprocessor circuits across a wide variety of applications.



The ZTBY Ceramic resonators stand between quartz crystal oscillators and LC/RC oscillators in regard to accuracy but are considerably smaller, require no adjustments, have improved start-up times, and are low in cost. The ZTBY oscillation is dependent upon mechanical resonance associated with their piezoelectric crystalline structure and utilizes the area vibration mode of the piezoelectric element.

Token ZTBY resonators conform to the RoHS directive. Application of specific designs also available including different tighter tolerances specification adjusted to frequency requirements. Please contact our sales for more information.

► Dimensions (Unit: mm Tolerance: ±0.3mm)



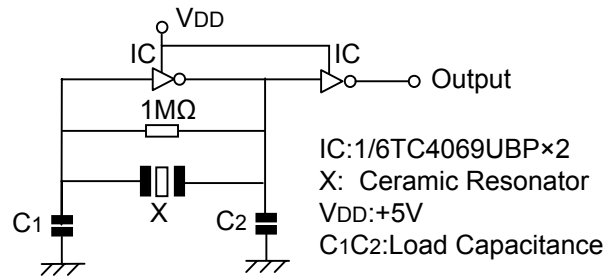
► Technical Characteristics

| Part Number | Frequency Accuracy (at 25°C) | Resonant Impedance (Ω) | Stability in Temperature (-20°C~+80°C)(%) | Aging For 10 Years (%) | Load Capacitance (pF) | |
|-----------------|------------------------------|------------------------|---|------------------------|-----------------------|-----|
| | | | | | C1 | C2 |
| ZTB375 ~ 429Y | ±2kHz | ≤20 | ±0.3 | ±0.3 | 120 | 470 |
| ZTB430 ~ 509Y | ±2kHz | ≤20 | ±0.3 | ±0.3 | 100 | 100 |
| ZTB510 ~ 699Y | ±2kHz | ≤30 | ±0.3 | ±0.3 | 100 | 100 |
| ZTB700 ~ 999Y | ±0.5% | ≤70 | ±0.3 | ±0.3 | 100 | 100 |
| ZTB1000 ~ 1250Y | ±0.5% | ≤100 | ±0.3 | ±0.3 | 100 | 100 |

▶ (ZTBY) Resonator Selection - Test Circuit for MOS IC

Loading Capacitor (C1 & C2)

The stability of the oscillation circuit is mainly determined by the C1 & C2 values. If the load capacitance is too small, unstable oscillation will occur because of oscillation waveform distortion. If too high, a stop in oscillation can be expected. When comparing the same IC, oscillation circuits with lower frequencies require higher capacitance.



Feedback Resistor (R = 1MΩ):

A Feedback Resistor is used to determine the oscillation circuit bias. The feedback resistance will contribute to instability if it is too large by reducing feedback. Conversely, if it is too small, increases in current will be realized thereby reducing gain. Recent developments in IC design allows for the integration of the feedback resistor in many cases.

Token Engineers can help with the circuit design if needed.

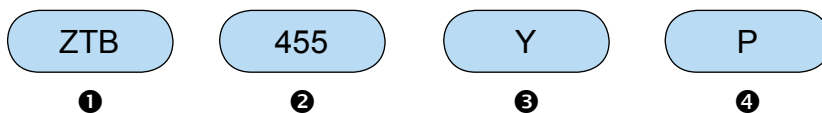
▶ (ZTBY) Resonator Optimization - IC Evaluations

Tolerance is determined by the design of the resonator. However stability and correlation is determined by the IC evaluation. The microcontroller is evaluated with the ceramic resonators to determine the best possible circuit conditions to achieve stability and stable oscillation.

In addition, frequency correlation is measured to meet the tight initial frequency tolerance required. For the tight tolerance resonators the IC evaluation must be completed on the final circuit board layout. The final circuit boards provide the most accurate measurement of the frequency correlation.

This measurement will account for the effects of stray capacitance on the oscillation frequency. Once the correlation is determined the frequency of the resonator is adjusted to compensate for the correlation.

▶ How to Orders



- ❶ Part Number
- ❷ Center Frequency (KHz)
- ❸ SMD type
- ❹ Packaging

| Code | Package |
|------|-------------|
| P | Bulk |
| TR | Taping Reel |

[Back to 1st Page - Ceramic Surface Mountable Ceramic Resonators](#)

Ceramic Resonators (ZTB456/500/503/912F)

Optimum Ceramic Resonator Selection of ZTB456/500/503/912F Oscillation

► Preview

Optimum Ceramic Resonator selection of Token ZTB456/500/503/912F oscillation parameters make possible according to applications. The ZTB456/500/503/912F series provide reliable start up and stable oscillation in microprocessor circuits across a wide variety of applications.

The ZTB 456F Multiplexers Series is designed to provide frequency modulation for HI-FI stereo application. These Ceramic Resonators are offered in the frequency accuracy $19\text{kHz} \pm 38\text{Hz}$ and $456\text{kHz} \pm 2\text{kHz}$ with various applicable IC. The ZTB912F Multiplexers Series is specially designed to provide frequency modulation for HI-FI automobile stereo application. The ZTB 500/503F Series is designed for TV horizontal synthesizer circuits. These Ceramic Resonators are offered in the following frequency accuracy with applicable IC. All ZTB456/500/503/912F are Murata Compatible CSB456/503/912F.



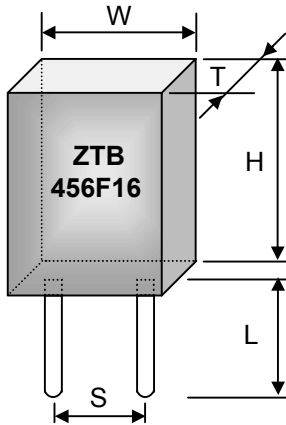
Application of ceramic resonators specific designs also available including tighter tolerance specifications adjusted to frequency requirements. Products conform to the RoHS directive.

Token will also produce devices outside these specifications to meet customer requirements, with comprehensive application engineering and design support available for customers worldwide.

Benefit Features :

- Highly reliable design with excellent environmental resistance.
- Standardized for use in low profile devices.
- Low cost.

► Dimensions (Unit: mm Tolerance: ±0.3mm)



| Type | ZTB 456 / 500 / 503F | ZTB 912F |
|-----------------|----------------------|----------|
| W (width) | 7.0 | 5.0 |
| T (thickness) | 3.5 | 2.2 |
| H (height) | 9.0 | 6.0 |
| S (lead space) | 5.0 | 2.5 |
| L (lead length) | 4.0 | 4.0 |

► Technical Characteristics

| Part Number | Frequency Accuracy | Applicable IC | |
|-------------|---------------------|---------------|------------|
| ZTB456F11 | 19.000 kHz ± 38 Hz | LA3430 | SANYO |
| ZTB456F15 | 19.000 kHz ± 38 Hz | LA1832 | SANYO |
| ZTB456F16 | 19.000 kHz ± 38 Hz | TA8122AN | TOSHIBA |
| ZTB456F18 | 19.000 kHz ± 38 Hz | TA8132N | TOSHIBA |
| ZTB456F33 | 456 kHz ± 2 Hz | LA2232 | SANYO |
| | | | |
| ZTB480E14 | 480+0.2%, -0.4% | TC31018P | TOSHIBA |
| | | | |
| ZTB500F2 | 500.0 kHz ± 2 kHz | μPC1401C | NEC |
| ZTB500F9 | 500.0 kHz ± 2 kHz | M51308SP | MITSUBISHI |
| ZTB500F25 | 15.680 kHz ± 0.4% | LA7680 | SANYO |
| ZTB500F40 | 15.680 kHz ± 0.4% | TA8691N | TOSHIBA |
| | | | |
| ZTB503F2 | 503.5 kHz ±2 kHz | μPC1401C | NEC |
| ZTB503F5 | 504.5 kHz ± 2 kHz | LA7620 | SANYO |
| ZTB503F10 | 15.734 kHz ± 0.5% | TA7777P | TOSHIBA |
| ZTB503F12 | 503.5 kHz ± 2 kHz | LDA3586N | THOMSON |
| ZTB503F15 | 505.1 kHz ± 2 kHz | LA7650 | SANYO |
| ZTB503F30 | 503.5 kHz ± 1.5 kHz | TA8654AN | TOSHIBA |
| ZTB503F38 | 15.734 kHz ± 62 kHz | AN5302 | MATSUSHITA |
| | | | |
| ZTB912F | 923.0 kHz ± 0.3% | LA1780 | SANYO |
| ZTB912F101 | 918.5 kHz ± 0.3% | AN7291 | MATSUSHITA |
| ZTB912F104 | 925.0 kHz ± 0.3% | LA1867NM | SANYO |

▶ How to Orders

ZTB456F16

①

P

②**①** Part Number**④** Package

| Code | Package |
|------|-------------|
| P | Bulk |
| TR | Taping Reel |

Back to 1st Page - Ceramic Resonators KHz (ZTB456/500/503/912F)