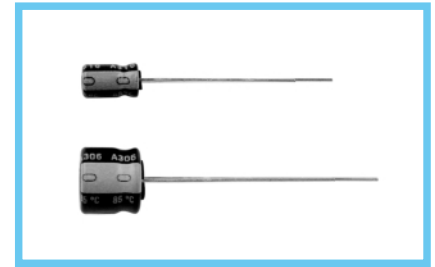
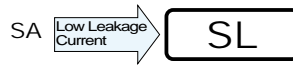


**SL** series 7mmL, Low Leakage Current



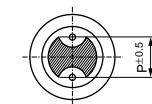
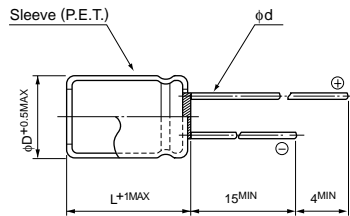
- Low leakage current series with 7mm height.
- Adapted to the RoHS directive (2002/95/EC).



## Specifications

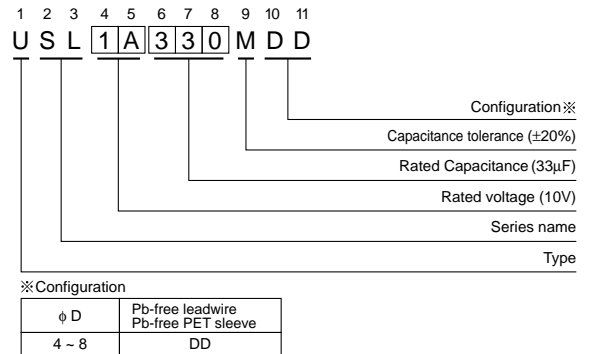
Item	Performance Characteristics																											
Category Temperature Range	-40 ~ +85°C																											
Rated Voltage Range	6.3 ~ 50V																											
Rated Capacitance Range	0.1 ~ 220μF																											
Capacitance Tolerance	±20% at 120Hz, 20°C																											
Leakage Current	After 2 minutes' application of rated voltage, leakage current is not more than 0.002CV or 0.4 (μA), whichever is greater.																											
tan δ	Measurement frequency : 120Hz, Temperature : 20°C																											
	Rated voltage (V)	6.3	10	16	25	35	50																					
Stability at Low Temperature	Measurement frequency : 120Hz																											
	Impedance ratio	Z-25°C / Z+20°C	4	3	2	2	2																					
	ZT / Z20 (MAX.)	Z-40°C / Z+20°C	8	6	4	4	3																					
Endurance	After 1000 hours' application of rated voltage at 85°C, capacitors meet the characteristic requirements listed at right.		<table border="1"> <tr> <td>Capacitance change</td> <td colspan="6">Within ±20% of initial value</td> </tr> <tr> <td>tan δ</td> <td colspan="6">200% or less of initial specified value</td> </tr> <tr> <td>Leakage current</td> <td colspan="6">Initial specified value or less</td> </tr> </table>					Capacitance change	Within ±20% of initial value						tan δ	200% or less of initial specified value						Leakage current	Initial specified value or less					
	Capacitance change	Within ±20% of initial value																										
tan δ	200% or less of initial specified value																											
Leakage current	Initial specified value or less																											
Shelf Life	After storing the capacitors under no load at 85°C for 1000 hours, and after performing voltage treatment based on JIS C 5101-4 clause 4.1 at 20°C, they will meet the specified value for endurance characteristics listed above.																											
Marking	Printed with white color letter on black sleeve.																											

## Radial Lead Type



	(mm)			
φD	4	5	6.3	8
P	1.5	2.0	2.5	3.5
φd	0.45	0.45	0.45	0.5

## Type numbering system (Example : 10V 33μF)



## Dimensions

Cap. (μF)	Code	V		6.3		10		16		25		35		50	
		0J	1A	1C	1E	1V	1H								
0.1	0R1													4 × 7	1.0
0.22	R22													4 × 7	2.3
0.33	R33													4 × 7	3.5
0.47	R47													4 × 7	5.0
1	010													4 × 7	10
2.2	2R2													4 × 7	19
3.3	3R3													4 × 7	24
4.7	4R7													4 × 7	29
10	100					4 × 7	29	5 × 7	33	4 × 7	24	5 × 7	29	6.3 × 7	44
22	220	4 × 7	34	5 × 7	38	5 × 7	44	6.3 × 7	51	6.3 × 7	57	6.3 × 7	65	8 × 7	65
33	330	5 × 7	42	5 × 7	47	6.3 × 7	57	6.3 × 7	63	8 × 7	72				
47	470	5 × 7	50	6.3 × 7	59	6.3 × 7	68	8 × 7	78						
100	101	6.3 × 7	77	8 × 7	96	8 × 7	107								
220	221	8 × 7	130											Case size φD × L (mm)	Rated Ripple

Rated Ripple (mArms) at 85°C 120Hz

## Frequency coefficient of rated ripple current

Frequency	50 Hz	120 Hz	300 Hz	1 kHz	10 kHz~
Coefficient	0.70	1.00	1.17	1.36	1.50

Please refer to page 21, 22, 23 about the formed or taped product spec.  
Please refer to page 3 for the minimum order quantity.