

**PLEASE CHECK WWW.MOLEX.COM FOR LATEST PART INFORMATION**

**Part Number:** **0508557212**  
**Status:** **Active**  
**Description:** Ring Tongue Terminal for 12 AWG, Closed Uninsulated Brazed Barrel, Stud Size 10 (M5), Oxygen-Free Copper, Length 17.80mm (.701")

**Documents:**

[Drawing \(PDF\)](#) [Product Specification PS-50855-004 \(PDF\)](#)  
[Product Specification PS-50855-002 \(PDF\)](#) [RoHS Certificate of Compliance \(PDF\)](#)

**Agency Certification**

UL E134962

**General**

Product Family Ring and Spade Terminals  
 Series 50855  
 Crimp Quality Equipment Yes  
 Mil-Spec N/A  
 Product Name R (Ring)  
 Type Ring

**Physical**

Barrel Type Closed - Brazed  
 Insulation None  
 Material - Plating Mating Tin  
 Packaging Type Bag  
 Plating min: Mating (µin) 40  
 Plating min: Mating (µm) 1  
 Plating min: Termination (µin) 40  
 Plating min: Termination (µm) 1  
 Stud Size 10 (M5)  
 Termination Interface: Style Crimp or Compression  
 Wire Size AWG 12  
 Wire Size mm<sup>2</sup> 2.63 - 4.60

**Material Info**

**Reference - Drawing Numbers**

Product Specification PS-50855-002, PS-50855-004  
 Sales Drawing SD-50855-001



Series  
image - Reference only

**EU RoHS**

**ELV and RoHS Compliant**  
**REACH SVHC**  
 Not Reviewed  
**Halogen-Free Status**  
 Not Reviewed

**China RoHS**



**Need more information on product environmental compliance?**

Email [productcompliance@molex.com](mailto:productcompliance@molex.com)  
 For a multiple part number RoHS Certificate of Compliance, [click here](#)

Please visit the [Contact Us](#) section for any non-product compliance questions.

**Search Parts in this Series**

50855Series

**Application Tooling | [FAQ](#)**

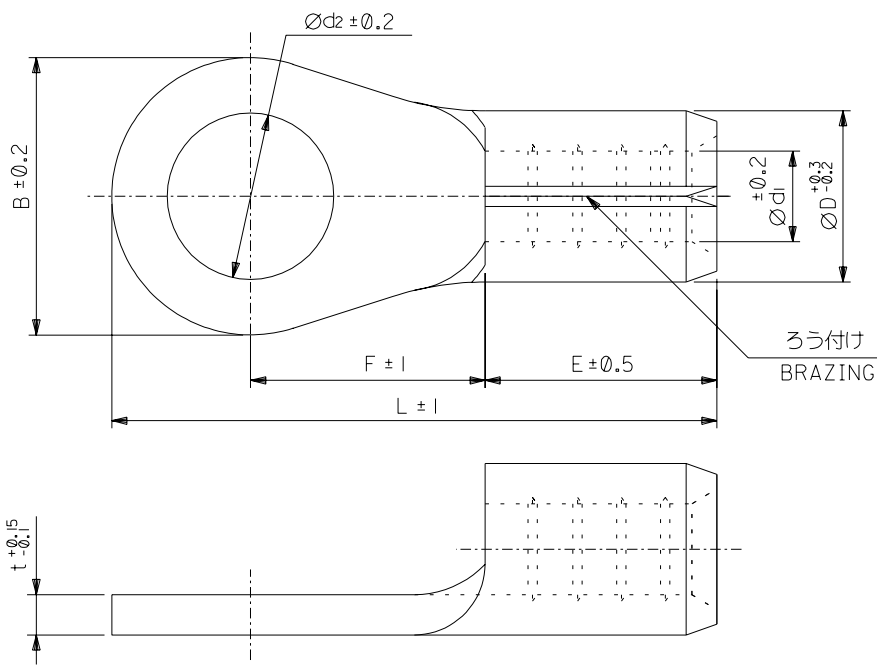
*Tooling specifications and manuals are found by selecting the products below. Crimp Height Specifications are then contained in the Application Tooling Specification document.*

**Japan**

Description	Product #
Hand Crimper For JIS Terminal	<a href="#">0572575000</a>
Air Type Hand Crimper For JIS Terminal	<a href="#">0573439005</a>

DO NOT SCALE DRAWING

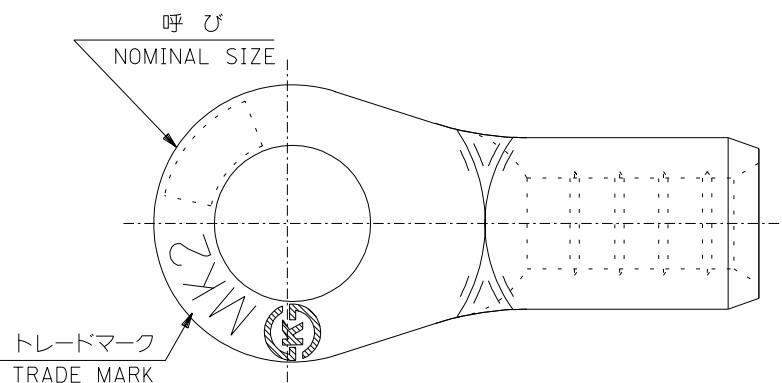
DWG. NO. SD-50855-001



注記 NOTES

- 材質 MATERIAL  
 端子: 無酸素銅、スズメッキ  
 TERMINAL: OXYGEN FREE COPPER, TIN PLATING  
 ろう付け部: リン銅ろう  
 PART OF BRAZING: COPPER PHOSPHORUS BRAZING FILLER METALS
- 適用電線 APPLICABLE WIRE RANGE

単線 SOLID WIRE	撚線 STRANDED WIRE
1.82-2.4 mm	2.63-4.6 mm <sup>2</sup>



1	3	5	5.3	12.5	25	14.5	10.5	3.5	10	50855-7512
				10.5	21.8	12	8.4		8	-7412
t	Ød1	ØD	E	F	L	B	Ød2	呼 び NOMINAL SIZE	6	-7312
									5	-7212
									4	-7112
									3	50855-7012
										MATERIAL NO.

64 NO. DRWN: CH'K: APPR:	63 NO. DRWN: CH'K: APPR:	62 NO. DRWN: CH'K: APPR:	61 NO. DRWN: CH'K: APPR:	RELEASED 60 NO. J2004-0411 DRWN: T.KAIHO 03/09/03 CH'K: T.ITO APPR: T.O.YAMAGUCHI	MATERIAL 材料 注記参照 SEE NOTES	GENERAL TOLERANCES: (UNLESS SPECIFIED) 一般公差 10 UNDER 未満 ±0.2 10 OVER 30 UNDER 未満 ±0.25 30 OVER 以上 ±0.3	SCALE 1:1 DESIGN UNITS <input checked="" type="checkbox"/> mm <input type="checkbox"/> INCH	MODEL NO. 50855-7*12 DIMENSIONS: <input type="checkbox"/> mm <input type="checkbox"/> INCH <input checked="" type="checkbox"/> mm ONLY	DRAWN BY & DATE T.KAIHO 03/09/03 CHECKED BY & DATE T.ITO 03/09/03 APPROVED BY & DATE T.O.YAMAGUCHI 03/09/03	SHT 1 REV
					FINISH 仕上げ 注記参照 SEE NOTES	WIRE RANGE 適用電線範囲 11	ANGLE 角度 3°	TITLE: RING TERMINAL(銅線用裸圧着端子)	MOLEX MOLEX INCORPORATED	SHEET NO. 1 OF 1
					INS. RANGE 被覆外径 11	THIS DRAWING CONTAINS INFORMATION THAT IS PROPRIETARY TO MOLEX INCORPORATED AND SHOULD NOT BE USED WITHOUT WRITTEN PERMISSION.			MATERIAL NO. SEE CHART DRAWING NO. SD-50855-001	SIZE B

SD-50855-001.S01