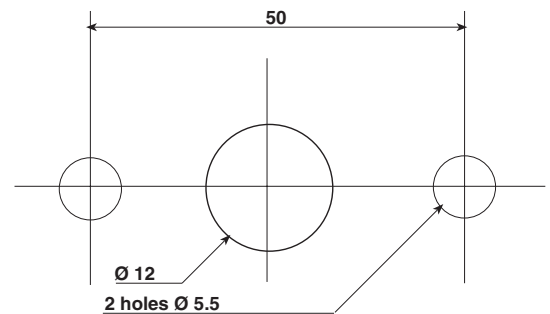
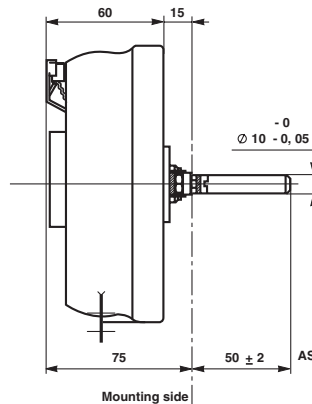
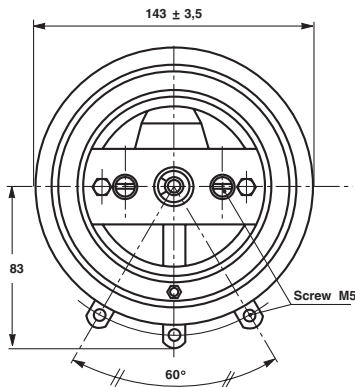


Wirewound Rheostat/Potentiometer


FEATURES

- 250 Watt at 25°C
- CCTU 05-03B (PA7)
- Vitreous style

DIMENSIONS in millimeters

RT230-PA7
PANEL CUT OUT DETAILS

MECHANICAL SPECIFICATIONS

Mechanical Protection	Vitreous
Mechanical Travel	$300^\circ \pm 5^\circ$
Operating Torque	1 to 50 Ncm
End Stop Torque	200 Ncm
Unit Weight	1300 g

ENVIRONMENTAL SPECIFICATIONS

Temperature Range	$-55^\circ\text{C} + 320^\circ\text{C}$
Climatic Category	CCTU 454 CEI 55/200/56

ELECTRICAL SPECIFICATIONS

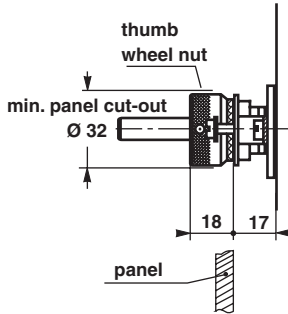
Ohmic Range	1 Ω to 22k Ω	
Tolerance Standard	$\pm 10\%$	
Power Rating	250 W at 25°C	
Variation Law	Standard	linear
	On request	sectorial winding
Limiting Element Voltage	1500V	
Dielectric Strength	2000VRMS	
Insulation Resistance	$10^3\text{M}\Omega(500\text{Vcc})$	

LOCKING DEVICE

This is supplied as an option.

The available spindle length is according to the panel thick-ness.

Order reference : DBA10.

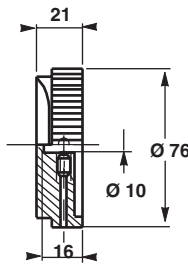


SPINDLES			
Ø mm	DISTANCE TO MOUNTING PLATE MM	SCREW DRIVER SLOT	CODE
10	50	WITHOUT	AS

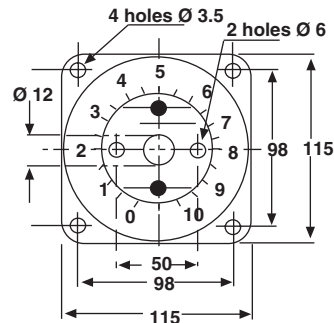
For any special requirement on request : spindle flats, etc. Please supply detailed drawing.

PARTICULAR CHARACTERISTICS		
NOMINAL RESISTANCE Ω	MAX. SERVICE VOLTAGE V	MAX. CURRENT THROUGH WIPER A
1	15.2	15.2
1.5	18.6	12.4
2.2	22.5	10.2
3.3	27.6	8.36
4.7	32.9	7
6.8	31.5	5.82
10	48	4.80
15	58.7	3.92
22	71.1	3.23
33	87.1	2.64
47	104	2.21
68	125	1.84
100	152	1.52
150	186	1.24
220	225	1.02
330	276	0.836
470	329	0.700
680	395	0.582
1k	480	0.480
1.5k	587	0.392
2.2k	711	0.323
3.3k	871	0.264
4.7k	1040	0.221
6.8k	1250	0.184
10k	1500	0.150
15k	1940	0.13
22k	2000	0.091

COMMAND KNOB 60JF (OPTION)



DIAL CG115 (OPTION)



MARKING

SFERNICE trademark, series, style, ohmic value (in Ω or kΩ), tolerance (in %), maximum current in A, manufacturing date

ORDERING PROCEDURE									
VITREOUS	RT	230		L			AS	10kΩ	± 10%
	SERIES	STYLE	SPINDLE LOCKING DEVICE	VARIATION LAW	SPECIAL DESIGN	WINDING	SPINDLE (Code)	OHMIC VALUE	TOLERANCE
			Optional		Method N° Optional	Optional	for special spindles please supply detailed drawing		
	ACC	60JF	CG115	XXX					
OPTIONS	MODEL	KNOB	DIAL	OTHER SPECIAL REQUIREMENTS					