

# 100 kPa On-Chip Temperature Compensated & Calibrated Silicon Pressure Sensors

The MPX2100 series device is a silicon piezoresistive pressure sensor providing a highly accurate and linear voltage output — directly proportional to the applied pressure. The sensor is a single, monolithic silicon diaphragm with the strain gauge and a thin-film resistor network integrated on-chip. The chip is laser trimmed for precise span and offset calibration and temperature compensation.

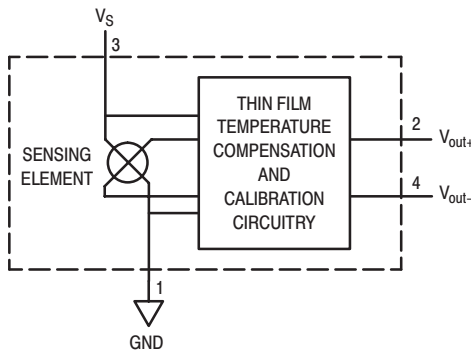
**Features**

- Temperature Compensated Over 0°C to +85°C
- Easy-to-Use Chip Carrier Package Options
- Available in Absolute, Differential and Gauge Configurations
- Ratiometric to Supply Voltage
- ±0.25% Linearity (MPX2100D)

**Application Examples**

- Pump/Motor Controllers
- Robotics
- Level Indicators
- Medical Diagnostics
- Pressure Switching
- Barometers
- Altimeters

Figure 1 illustrates a block diagram of the internal circuitry on the stand-alone pressure sensor chip.



**Figure 1. Temperature Compensated Pressure Sensor Schematic**

**VOLTAGE OUTPUT versus APPLIED DIFFERENTIAL PRESSURE**

The differential voltage output of the sensor is directly proportional to the differential pressure applied.

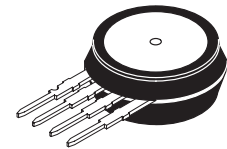
The absolute sensor has a built-in reference vacuum. The output voltage will decrease as vacuum, relative to ambient, is drawn on the pressure (P1) side.

The output voltage of the differential or gauge sensor increases with increasing pressure applied to the pressure (P1) side relative to the vacuum (P2) side. Similarly, output voltage increases as increasing vacuum is applied to the vacuum (P2) side relative to the pressure (P1) side.

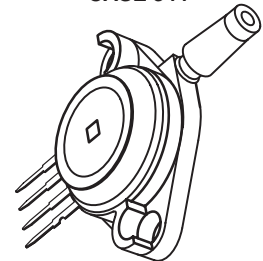
## MPX2100 SERIES

0 to 100 kPa (0 to 14.5 psi)  
 40 mV FULL SCALE SPAN  
 (TYPICAL)

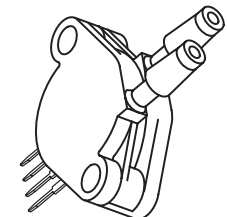
**UNIBODY PACKAGE**



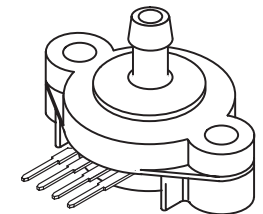
**MPX2100A/D  
 CASE 344**



**MPX2100AP/GP  
 CASE 344B**



**MPX2100DP  
 CASE 344C**



**MPX2100ASX/GSX  
 CASE 344F**

**PIN NUMBER**

1	Gnd	3	V <sub>S</sub>
2	+V <sub>Out</sub>	4	-V <sub>Out</sub>

NOTE: Pin 1 is noted by the notch in the lead.



## MAXIMUM RATINGS(NOTE)

Rating	Symbol	Value	Unit
Maximum Pressure (P1 > P2)	P <sub>max</sub>	400	kPa
Storage Temperature	T <sub>stg</sub>	-40 to +125	°C
Operating Temperature	T <sub>A</sub>	-40 to +125	°C

NOTE: Exposure beyond the specified limits may cause permanent damage or degradation to the device.

OPERATING CHARACTERISTICS (V<sub>S</sub> = 10 Vdc, T<sub>A</sub> = 25°C unless otherwise noted, P1 > P2)

Characteristic	Symbol	Min	Typ	Max	Unit
Pressure Range <sup>(1)</sup>	P <sub>OP</sub>	0	—	100	kPa
Supply Voltage <sup>(2)</sup>	V <sub>S</sub>	—	10	16	Vdc
Supply Current	I <sub>o</sub>	—	6.0	—	mAdc
Full Scale Span <sup>(3)</sup>	MPX2100A, MPX2100D V <sub>FSS</sub>	38.5	40	41.5	mV
Offset <sup>(4)</sup>	MPX2100D MPX2100A Series V <sub>off</sub>	-1.0 -2.0	—	1.0 2.0	mV
Sensitivity	ΔV/ΔP	—	0.4	—	mV/kPa
Linearity <sup>(5)</sup>	MPX2100D Series MPX2100A Series	— —	-0.25 -1.0	— —	0.25 1.0 %V <sub>FSS</sub>
Pressure Hysteresis <sup>(5)</sup> (0 to 100 kPa)	—	—	±0.1	—	%V <sub>FSS</sub>
Temperature Hysteresis <sup>(5)</sup> (-40°C to +125°C)	—	—	±0.5	—	%V <sub>FSS</sub>
Temperature Effect on Full Scale Span <sup>(5)</sup>	TCV <sub>FSS</sub>	-1.0	—	1.0	%V <sub>FSS</sub>
Temperature Effect on Offset <sup>(5)</sup>	TCV <sub>off</sub>	-1.0	—	1.0	mV
Input Impedance	Z <sub>in</sub>	1000	—	2500	Ω
Output Impedance	Z <sub>out</sub>	1400	—	3000	Ω
Response Time <sup>(6)</sup> (10% to 90%)	t <sub>R</sub>	—	1.0	—	ms
Warm-Up	—	—	20	—	ms
Offset Stability <sup>(7)</sup>	—	—	±0.5	—	%V <sub>FSS</sub>

## NOTES:

- 1.0 kPa (kiloPascal) equals 0.145 psi.
- Device is ratiometric within this specified excitation range. Operating the device above the specified excitation range may induce additional error due to device self-heating.
- Full Scale Span (V<sub>FSS</sub>) is defined as the algebraic difference between the output voltage at full rated pressure and the output voltage at the minimum rated pressure.
- Offset (V<sub>off</sub>) is defined as the output voltage at the minimum rated pressure.
- Accuracy (error budget) consists of the following:
  - Linearity: Output deviation from a straight line relationship with pressure, using end point method, over the specified pressure range.
  - Temperature Hysteresis: Output deviation at any temperature within the operating temperature range, after the temperature is cycled to and from the minimum or maximum operating temperature points, with zero differential pressure applied.
  - Pressure Hysteresis: Output deviation at any pressure within the specified range, when this pressure is cycled to and from the minimum or maximum rated pressure, at 25°C.
  - TcSpan: Output deviation at full rated pressure over the temperature range of 0 to 85°C, relative to 25°C.
  - TcOffset: Output deviation with minimum rated pressure applied, over the temperature range of 0 to 85°C, relative to 25°C.
- Response Time is defined as the time for the incremental change in the output to go from 10% to 90% of its final value when subjected to a specified step change in pressure.
- Offset stability is the product's output deviation when subjected to 1000 hours of Pulsed Pressure, Temperature Cycling with Bias Test.

**LINEARITY**

Linearity refers to how well a transducer's output follows the equation:  $V_{out} = V_{off} + \text{sensitivity} \times P$  over the operating pressure range. There are two basic methods for calculating nonlinearity: (1) end point straight line fit (see Figure 2) or (2) a least squares best line fit. While a least squares fit gives the "best case" linearity error (lower numerical value), the calculations required are burdensome.

Conversely, an end point fit will give the "worst case" error (often more desirable in error budget calculations) and the calculations are more straightforward for the user. Motorola's specified pressure sensor linearities are based on the end point straight line method measured at the midrange pressure.

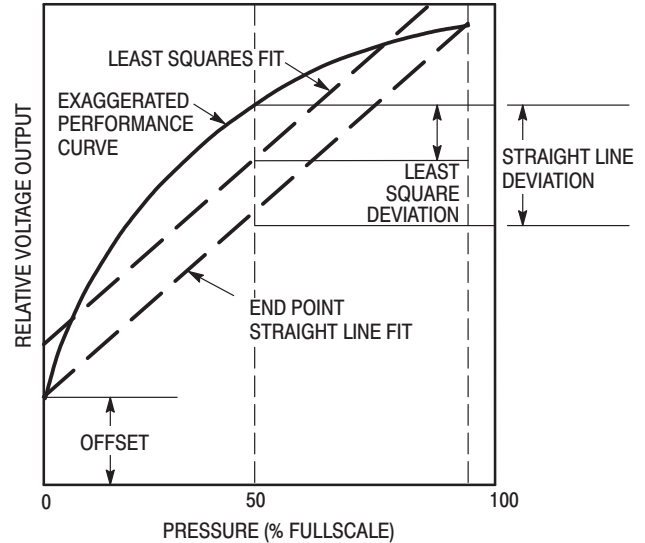


Figure 2. Linearity Specification Comparison

**ON-CHIP TEMPERATURE COMPENSATION and CALIBRATION**

Figure 3 shows the output characteristics of the MPX2100 series at 25°C. The output is directly proportional to the differential pressure and is essentially a straight line.

The effects of temperature on Full Scale Span and Offset are very small and are shown under Operating Characteristics.

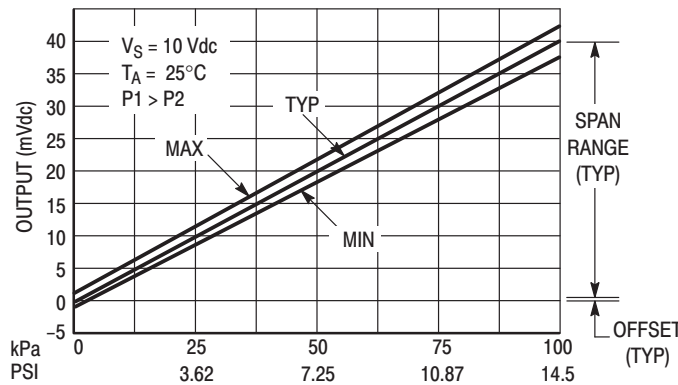


Figure 3. Output versus Pressure Differential

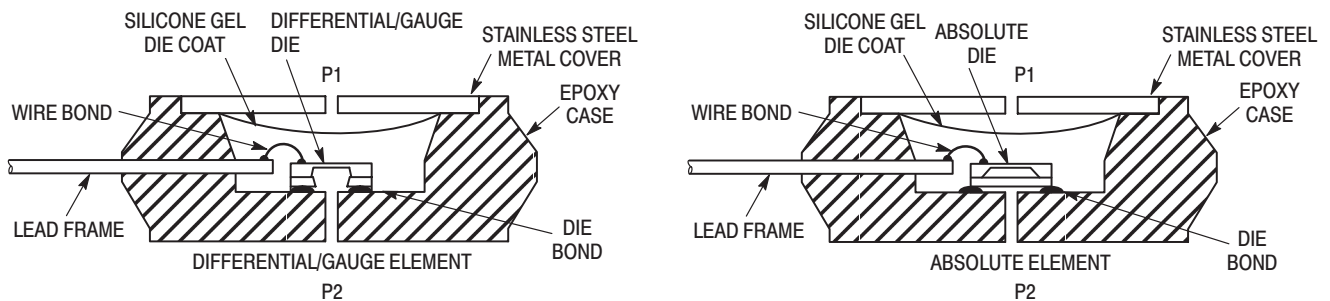


Figure 4. Cross-Sectional Diagrams (Not to Scale)

Figure 4 illustrates the absolute sensing configuration (right) and the differential or gauge configuration in the basic chip carrier (Case 344). A silicone gel isolates the die surface and wire bonds from the environment, while allowing the pressure signal to be transmitted to the silicon diaphragm.

Characteristics and internal reliability and qualification tests are based on use of dry air as the pressure media. Media other than dry air may have adverse effects on sensor performance and long term reliability. Contact the factory for information regarding media compatibility in your application.

## PRESSURE (P1)/VACUUM (P2) SIDE IDENTIFICATION TABLE

Motorola designates the two sides of the pressure sensor as the Pressure (P1) side and the Vacuum (P2) side. The Pressure (P1) side is the side containing the silicone gel which isolates the die. The differential or gauge sensor is designed to operate with positive differential pressure

applied,  $P1 > P2$ . The absolute sensor is designed for vacuum applied to P1 side.

The Pressure (P1) side may be identified by using the table below:

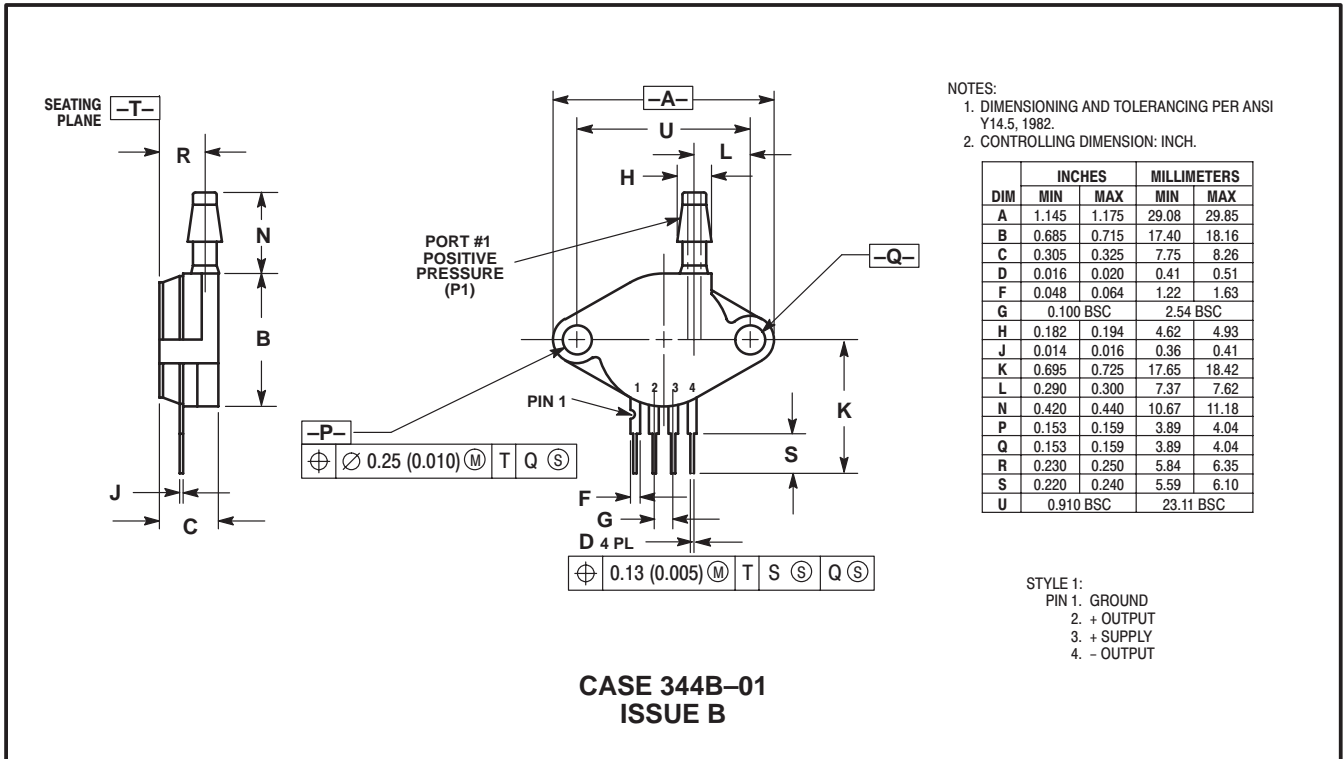
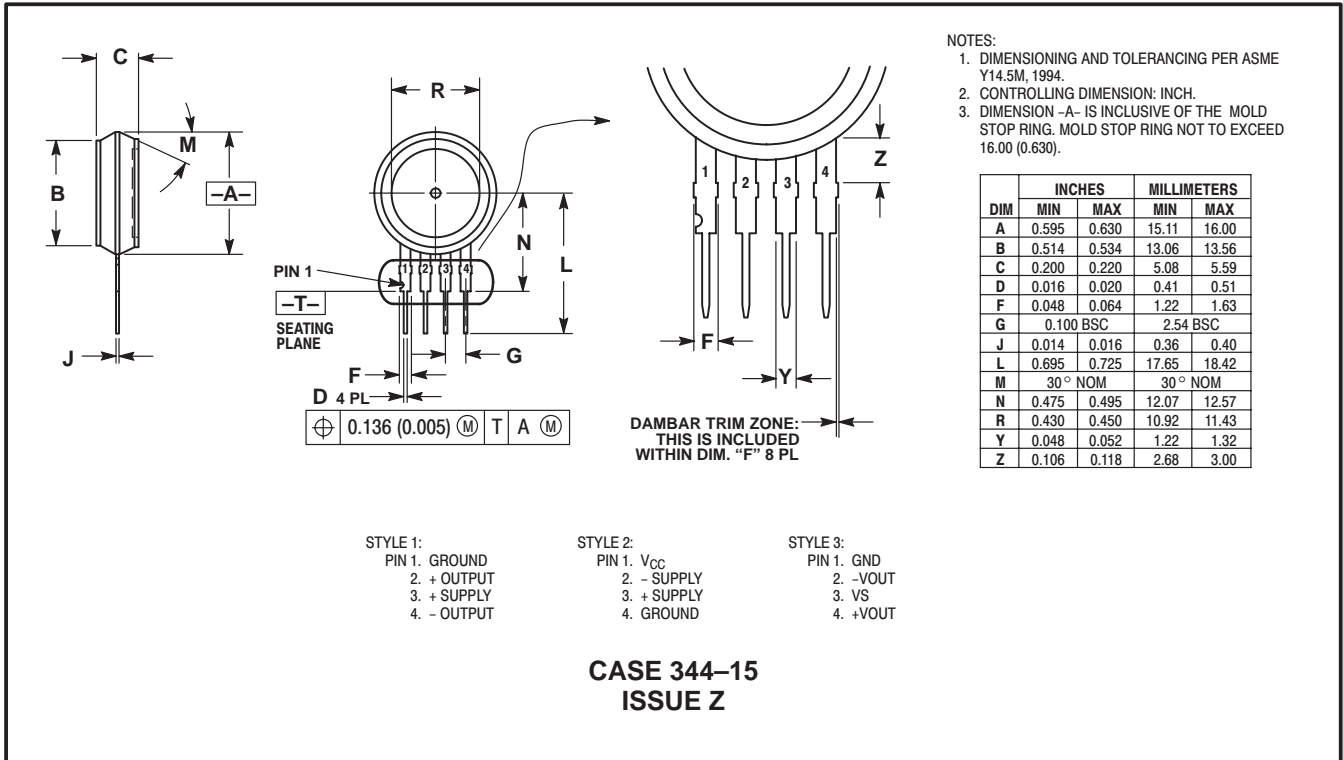
Part Number		Case Type	Pressure (P1) Side Identifier
MPX2100A	MPX2100D	344	Stainless Steel Cap
MPX2100DP		344C	Side with Part Marking
MPX2100AP	MPX2100GP	344B	Side with Port Attached
MPX2100ASX	MPX2100GSX	344F	Side with Port Attached

## ORDERING INFORMATION

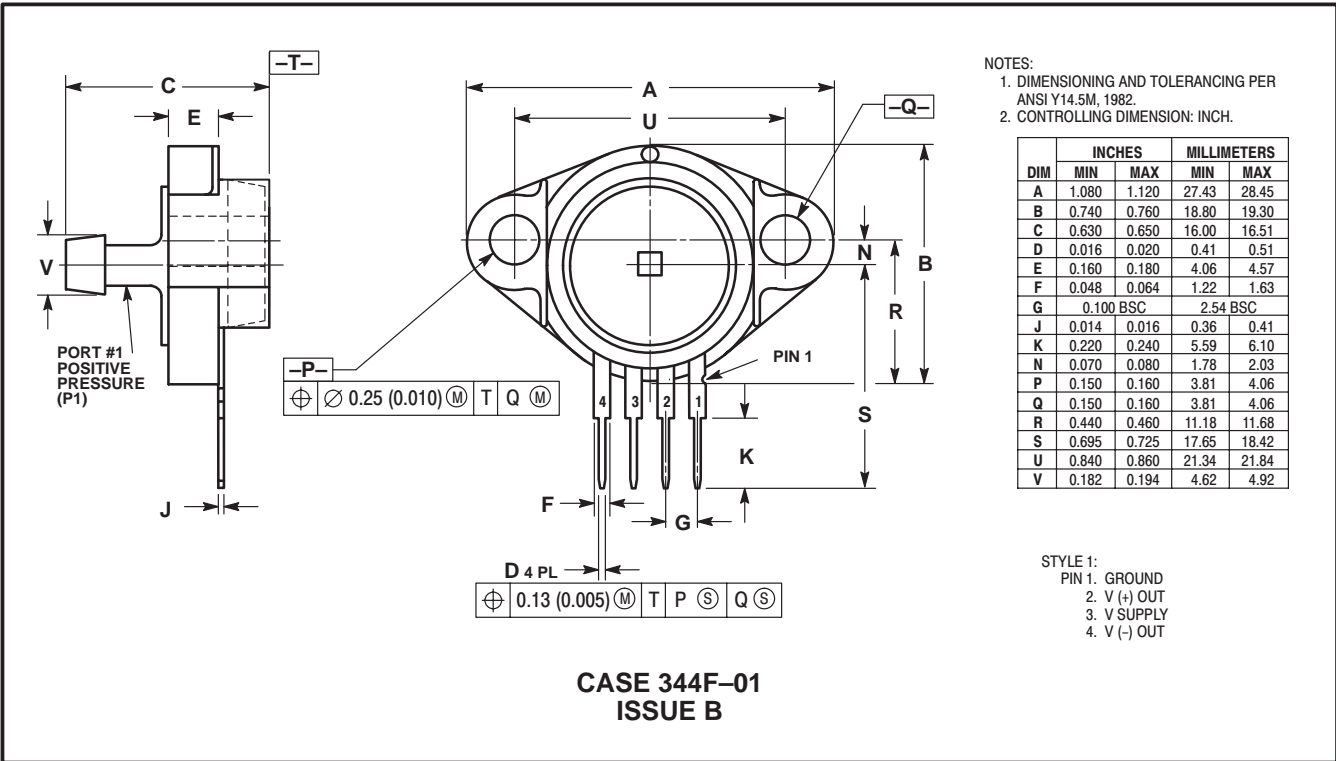
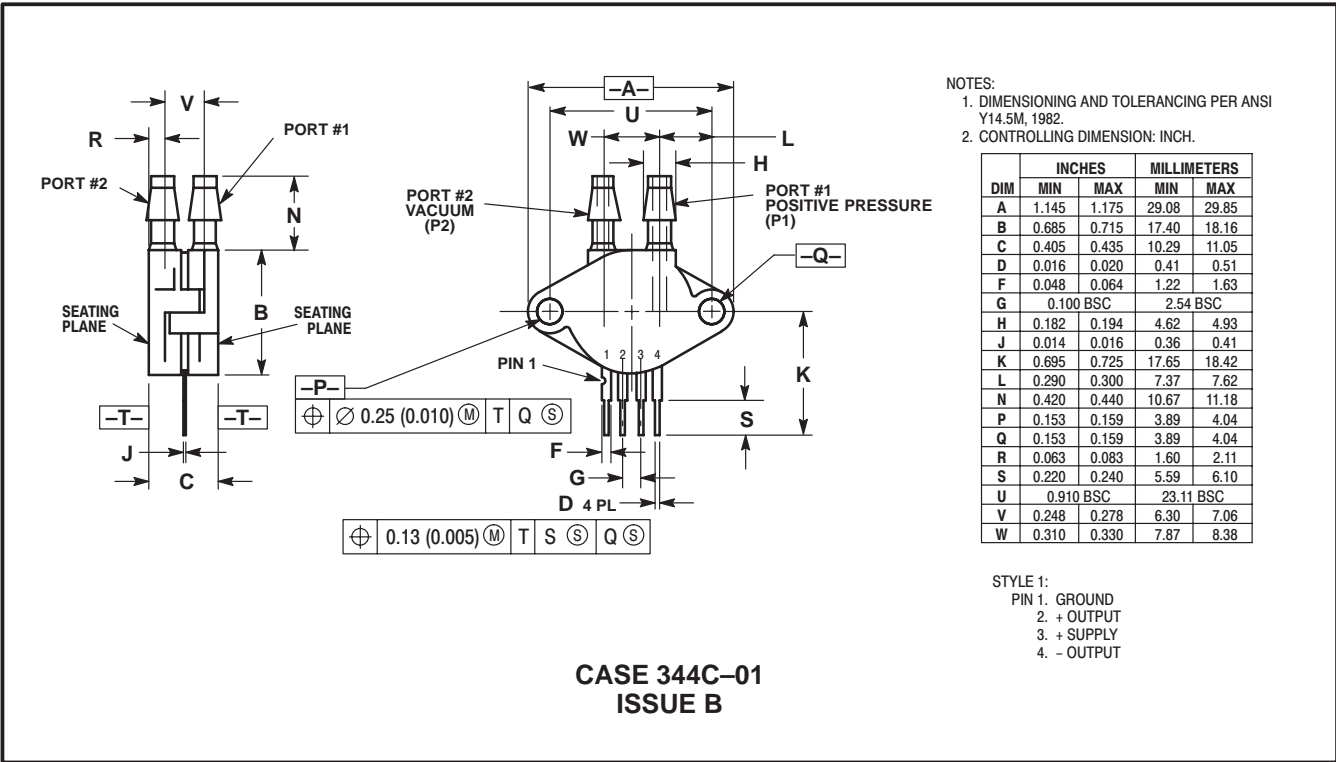
MPX2100 series pressure sensors are available in absolute, differential and gauge configurations. Devices are available in the basic element package or with pressure port fittings which provide printed circuit board mounting ease and barbed hose pressure connections.

Device Type	Options	Case Type	MPX Series	
			Order Number	Device Marking
Basic Element	Absolute, Differential	344	MPX2100A MPX2100D	MPX2100A MPX2100D
Ported Elements	Differential, Dual Port	344C	MPX2100DP	MPX2100DP
	Absolute, Gauge	344B	MPX2100AP MPX2100GP	MPX2100AP MPX2100GP
	Absolute, Gauge Axial	344F	MPX2100ASX MPX2100GSX	MPX2100A MPX2100D

**PACKAGE DIMENSIONS**



PACKAGE DIMENSIONS — CONTINUED



Freescale Semiconductor, Inc.

# NOTES

**Freescale Semiconductor, Inc.**

Motorola reserves the right to make changes without further notice to any products herein. Motorola makes no warranty, representation or guarantee regarding the suitability of its products for any particular purpose, nor does Motorola assume any liability arising out of the application or use of any product or circuit, and specifically disclaims any and all liability, including without limitation consequential or incidental damages. "Typical" parameters can and do vary in different applications and actual performance may vary over time. All operating parameters, including "Typicals" must be validated for each customer application by customer's technical experts. Motorola does not convey any license under its patent rights nor the rights of others. Motorola products are not designed, intended, or authorized for use as components in systems intended for surgical implant into the body, or other applications intended to support or sustain life, or for any other application in which the failure of the Motorola product could create a situation where personal injury or death may occur. Should Buyer purchase or use Motorola products for any such unintended or unauthorized application, Buyer shall indemnify and hold Motorola and its officers, employees, subsidiaries, affiliates, and distributors harmless against all claims, costs, damages, and expenses, and reasonable attorney fees arising out of, directly or indirectly, any claim of personal injury or death associated with such unintended or unauthorized use, even if such claim alleges that Motorola was negligent regarding the design or manufacture of the part. Motorola and the Stylized M Logo are registered trademarks of Motorola, Inc. Motorola, Inc. is an Equal Opportunity/Affirmative Action Employer.

MOTOROLA and the Stylized M Logo are registered in the US Patent & Trademark Office. All other product or service names are the property of their respective owners.

© Motorola, Inc. 2002.

**How to reach us:**

**USA/EUROPE/Locations Not Listed:** Motorola Literature Distribution; P.O. Box 5405, Denver, Colorado 80217. 1-303-675-2140 or 1-800-441-2447

**JAPAN:** Motorola Japan Ltd.; SPS, Technical Information Center, 3-20-1, Minami-Azabu, Minato-ku, Tokyo 106-8573 Japan. 81-3-3440-3569

**ASIA/PACIFIC:** Motorola Semiconductors H.K. Ltd.; Silicon Harbour Centre, 2 Dai King Street, Tai Po Industrial Estate, Tai Po, N.T., Hong Kong. 852-26668334

**Technical Information Center: 1-800-521-6274**

**HOME PAGE:** <http://www.motorola.com/semiconductors/>



**MOTOROLA**

**For More Information On This Product,  
Go to: [www.freescale.com](http://www.freescale.com)**

MPX2100/D