

**PLEASE CHECK WWW.MOLEX.COM FOR LATEST PART INFORMATION**

**Part Number:** [0761020001](#)  
**Status:** **Obsolete**  
**Overview:** [sfp\\_stacked\\_multiport\\_connectors](#)  
**Description:** Small Form-factor Pluggable Plus (SFP+) Stacked 2-by-4 Multi-Port Press Fit Connector without Lightpipe Ports, Elastomeric Gasket, 160 Circuits, Tin (Sn)/Lead(Pb) Tails

**Documents:**  
[Drawing \(PDF\)](#)

**Agency Certification**

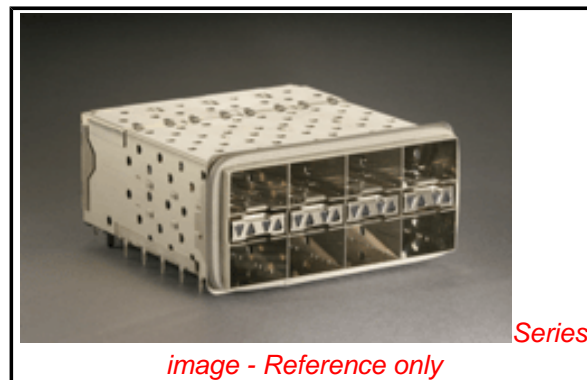
CSA	LR19980
UL	E29179

**General**

Product Family	I/O Connectors
Series	<a href="#">76102</a>
Application	Module-to-Board
Component Type	Receptacle
Overview	<a href="#">sfp_stacked_multiport_connectors</a>
Product Name	SFP Plus
Type	N/A

**Physical**

Boot Color	N/A
Circuits (Loaded)	160
Circuits (maximum)	160
Circuits Detail	160
Durability (mating cycles max)	100
Flammability	94V-0
Gender	Female
Keying to Mating Part	None
Lock to Mating Part	Yes
Material - Plating Mating	Gold
Number of Rows	2
Orientation	Right Angle
PC Tail Length (in)	0.081 In
PC Tail Length (mm)	2.07 mm
PCB Locator	Yes
PCB Retention	Yes
PCB Thickness Recommended (in)	0.062 In
PCB Thickness Recommended (mm)	1.57 mm
Packaging Type	Tray
Panel Mount	No
Pitch - Mating Interface (in)	0.031 In
Pitch - Mating Interface (mm)	0.80 mm
Pitch - Term. Interface (in)	0.031 In
Pitch - Term. Interface (mm)	0.80 mm
Polarized to Mating Part	Yes
Polarized to PCB	Yes
Ports	8
Surface Mount Compatible (SMC)	Yes
Temperature Range - Operating	-40°C to +85°C
Termination Interface: Style	Through Hole - Compliant Pin
Waterproof / Dustproof	No



**EU RoHS**  
**RoHS Compliant by Exemption**  
**REACH SVHC**  
 Not Reviewed  
**Halogen-Free**  
**Status**  
**Not Reviewed**



**Need more information on product environmental compliance?**

Email [productcompliance@molex.com](mailto:productcompliance@molex.com)  
 For a multiple part number RoHS Certificate of Compliance, [click here](#)

Please visit the [Contact Us](#) section for any non-product compliance questions.

**Search Parts in this Series**  
[76102Series](#)

**Use With**  
[0759510999 SFP Dust Plug,](#)

**Application Tooling | FAQ**  
*Tooling specifications and manuals are found by selecting the products below. Crimp Height Specifications are then contained in the Application Tooling Specification document.*

<b>Description</b>	<b>Product #</b>
SFP Stacked Multi-Port Insertion Tool, 2 by 4	<a href="#">0622029920</a>
SFP Stacked Multi-Port Extraction Tool, 2 by 4	<a href="#">0622029940</a>

**Electrical**

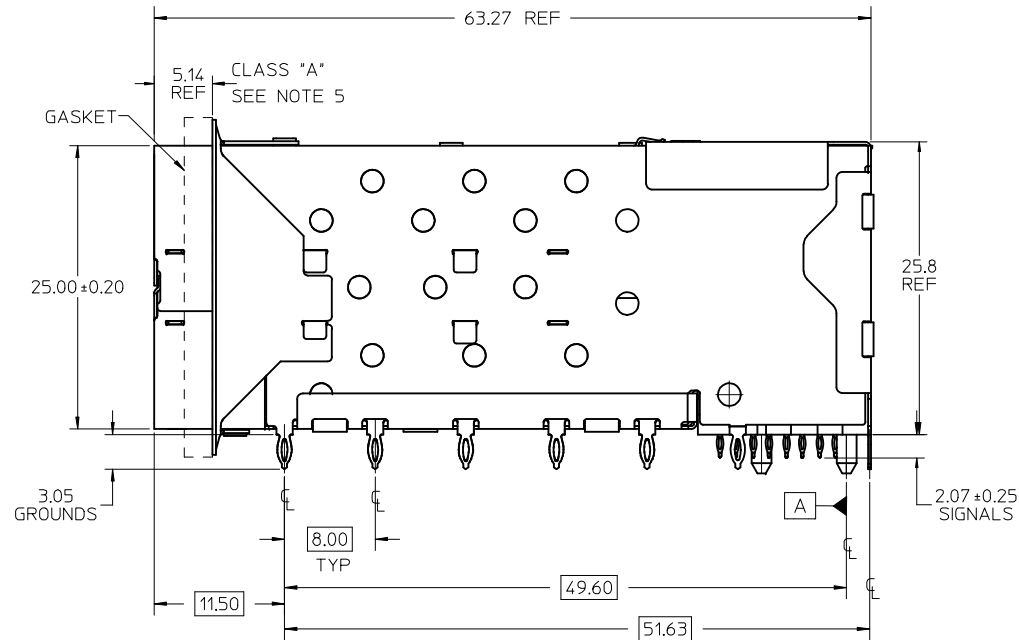
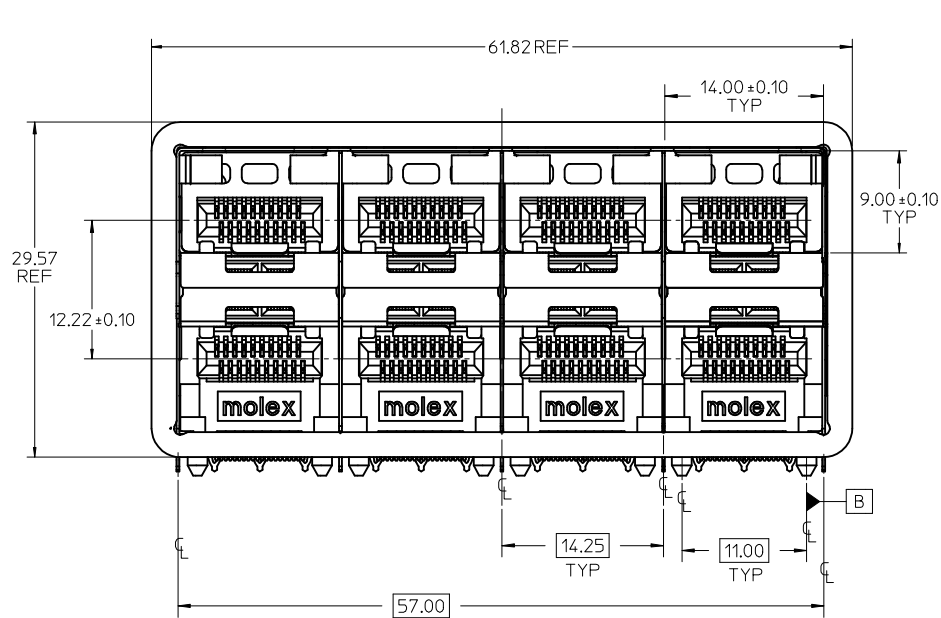
Current - Maximum per Contact	0.5A
Grounding to Panel	None
Shield Type	EMI Gasket
Shielded	Yes
Voltage - Maximum	120V AC (RMS)/DC

**Material Info****Reference - Drawing Numbers**

Application Specification	AS-75310-001
Packaging Specification	PK-75450-001
Product Specification	PS-75310-001
Sales Drawing	SD-76102-001

This document was generated on 06/04/2010

**PLEASE CHECK [WWW.MOLEX.COM](http://WWW.MOLEX.COM) FOR LATEST PART INFORMATION**



NOTES:

1. MATERIAL:

- CAGE: NICKEL SILVER, THICKNESS: 0.25mm
- EMI GASKET: CONDUCTIVE ELASTOMER
- CONNECTOR HOUSING: GLASS FILLED HIGH TEMP PLASTIC, 94 V-0  
COLOR: BLACK
- OVERMOLDED TERMINAL HOUSING: GLASS FILLED HIGH TEMP PLASTIC,  
94 V-0, COLOR: BLACK
- TERMINALS: TIN BRASS

2. FINISH:

- TERMINALS: CONTACT AREA: 0.76 MICROS MIN. HARD GOLD  
OVER 1.27 MICRONS NICKEL.
- COMPLIANT TAIL - TIN/LEAD OPTION: 0.76 - 1.52 MICRONS 90/10 TIN/LEAD  
OVER 0.76 - 1.52 MICRONS NICKEL
- COMPLIANT TAIL - TIN OPTION: 0.76 - 1.52 MICRONS TIN  
OVER 0.76 - 1.52 MICRONS NICKEL
- EMI GASKET: SILVER

3. REFER TO PS-75310-001 PRODUCT SPEC FOR ALL ELECTRICAL, MECHANICAL AND ENVIRONMENTAL SPECIFICATIONS.

4. REFER TO PK-75450-001 FOR ALL PACKAGING SPECIFICATIONS.

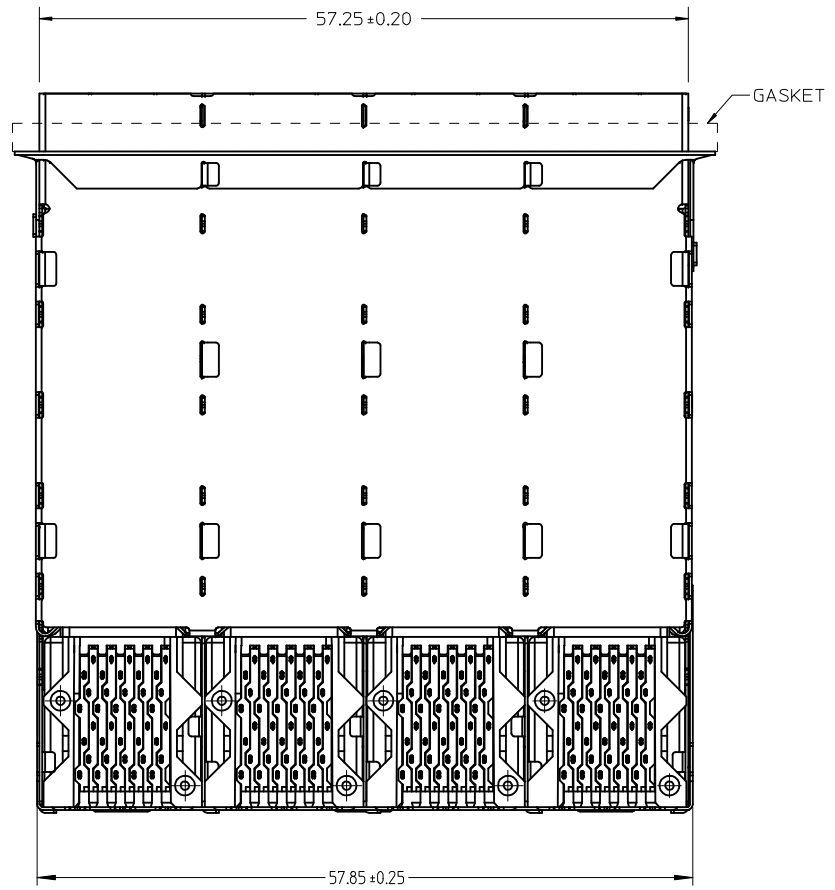
5. ALL EXTERIOR SURFACES TO BE CLASS "B" SURFACE EXCEPT THE UNDER SIDE OF THE CAGE WHERE THE PCB WOULD BE LOCATED AND AS NOTED. THE SURFACES TO CONFORM TO THE MOLEX COSMETIC DOC PS-45499-002.

PART NUMBER	COMPLIANT TAIL PLATING
761020001	TIN / LEAD
761025001	TIN

<b>CLARIFY VIEWS</b> EC NO: UCP2010-0997 DR: WJBBARKER 2009/10/30 CHKD: MIBARRA 2009/11/02 APPR: SMILLER 2009/11/02	QUALITY SYMBOLS ▽=0 ▽=0	GENERAL TOLERANCES (UNLESS SPECIFIED) <table border="1"> <thead> <tr> <th></th> <th>mm</th> <th>INCH</th> </tr> </thead> <tbody> <tr> <td>4 PLACES</td> <td>± 0.13</td> <td>± 0.005</td> </tr> <tr> <td>3 PLACES</td> <td>± 0.25</td> <td>± 0.010</td> </tr> <tr> <td>2 PLACES</td> <td>± 0.38</td> <td>± 0.015</td> </tr> <tr> <td>1 PLACE</td> <td>± 0.51</td> <td>± 0.020</td> </tr> </tbody> </table>		mm	INCH	4 PLACES	± 0.13	± 0.005	3 PLACES	± 0.25	± 0.010	2 PLACES	± 0.38	± 0.015	1 PLACE	± 0.51	± 0.020	DIMENSION STYLE <b>MM ONLY</b>	SCALE <b>3:1</b>	DESIGN UNITS <b>METRIC</b>	THIRD ANGLE PROJECTION
		mm	INCH																		
	4 PLACES	± 0.13	± 0.005																		
	3 PLACES	± 0.25	± 0.010																		
2 PLACES	± 0.38	± 0.015																			
1 PLACE	± 0.51	± 0.020																			
DRAWN BY JLONG	DATE 01-18-2007	CHECKED BY MSANDBERG	DATE 01-18-2007	TITLE <b>STACKED SFP+ 2X4 ASS'Y WITH ELASTOMERIC GASKET</b>																	
APPROVED BY RNELSON	DATE 01-18-2007	MATERIAL NO. <b>SEE TABLE</b>			DOCUMENT NO. <b>SD-76102-001</b>	SHEET NO. <b>1 OF 4</b>															
DRAFT WHERE APPLICABLE MUST REMAIN WITHIN DIMENSIONS																					

13 12 11 10 9 8 7 6 5 4 3 2 1

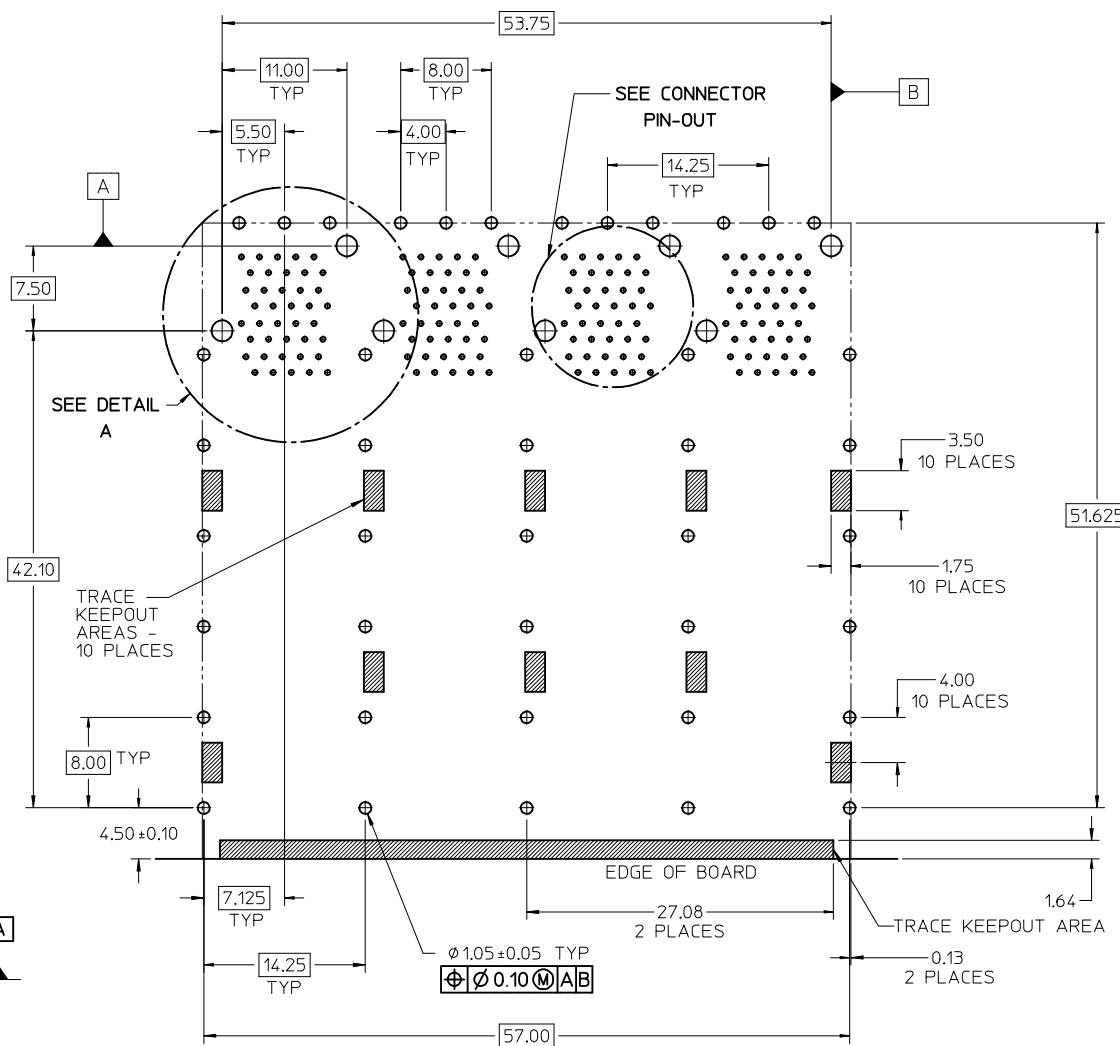
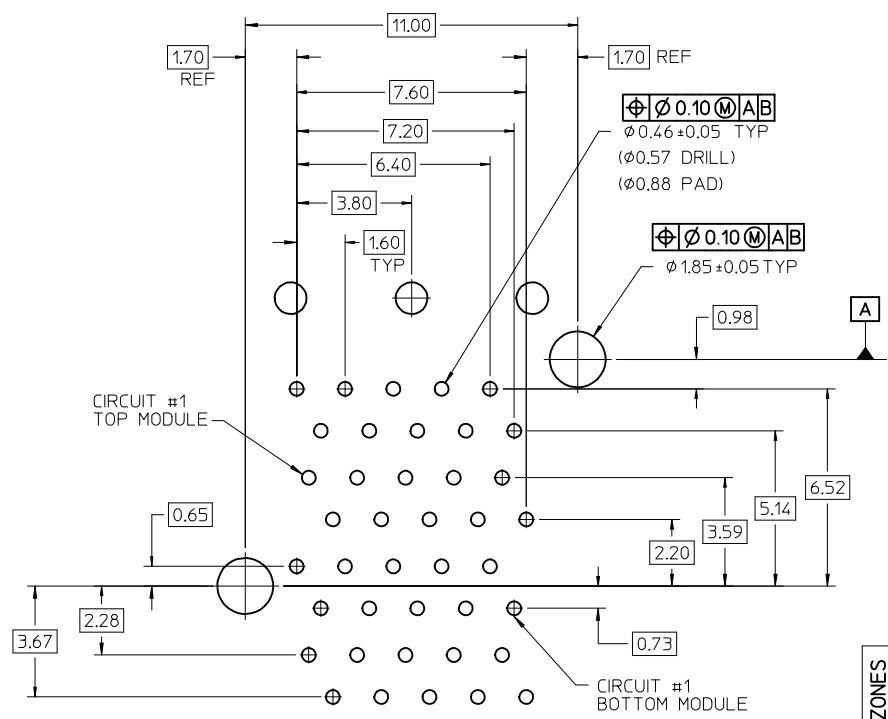
J I H G F E D C B A



SEE SHEET 1 EC NO: UCP2010-0997 DRWN:BBARKER 2009/10/30 CHKD:MBARRA 2009/11/02 APPR:SMILLER 2009/11/02	QUALITY SYMBOLS	GENERAL TOLERANCES (UNLESS SPECIFIED)		DIMENSION STYLE <b>MM ONLY</b>		SCALE <b>3:1</b>	DESIGN UNITS <b>METRIC</b>	THIRD ANGLE PROJECTION	
	▽=0	mm	INCH	DRAWN BY	DATE	TITLE <b>STACKED SFP+ 2X4 ASS'Y WITH ELASTOMERIC GASKET</b>			
	▽=0	4 PLACES ± ---	± ---	JLONG	01-18-2007				
		3 PLACES ± ---	± ---	CHECKED BY	DATE	MOLEX INCORPORATED			
	2 PLACES ± 0.13	± ---	MSANDBERG	01-18-2007					
	1 PLACE ± 0.25	± ---	APPROVED BY	DATE	DOCUMENT NO. <b>SD-76102-001</b>				
	ANGULAR ± 5 °		RNELSON	01-18-2007					
	DRAFT WHERE APPLICABLE MUST REMAIN WITHIN DIMENSIONS			SEE TABLE		SHEET NO. <b>2 OF 4</b>			
	THIS DRAWING CONTAINS INFORMATION THAT IS PROPRIETARY TO MOLEX INCORPORATED AND SHOULD NOT BE USED WITHOUT WRITTEN PERMISSION								

T20 T18 T16 T14 T12  
 T19 T17 T15 T13 T11  
 T1 T3 T5 T7 T9  
 T2 T4 T6 T8 T10  
 L10 L8 L6 L4 L2  
 L9 L7 L5 L3 L1  
 L11 L13 L15 L17 L19  
 L12 L14 L16 L18 L20

CONNECTOR PIN-OUT  
 SCALE 6:1



RECOMMENDED PCB LAYOUT - COMPONENT SIDE  
 RECOMMENDED PCB THICKNESS - 2.36 MM (.093 INCH)

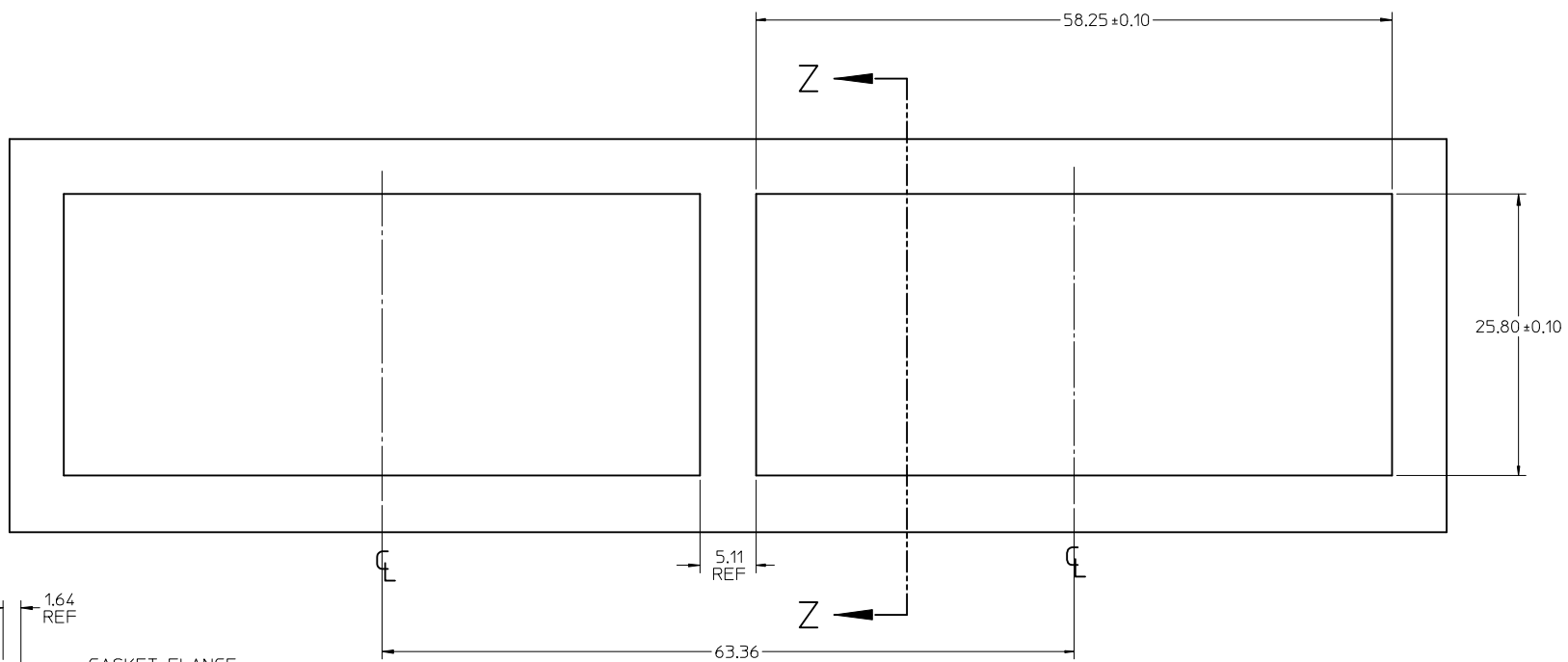
THE ENTIRE AREA OF THE CONNECTOR FOOTPRINT  
 TO BE CONSIDERED THE KEEP OUT AREA FOR COMPONENTS  
 THIS AREA IS INDICATED BY THE DASHED LINE

REV	DESCRIPTION	DATE	BY
D	ADD KEEP OUT ZONES	2009/10/30	DRWINBARKER
	EC NO: UCP2010-0997	2009/11/02	CHKD:MIBARRA
		2009/11/02	APPR:SMILLER

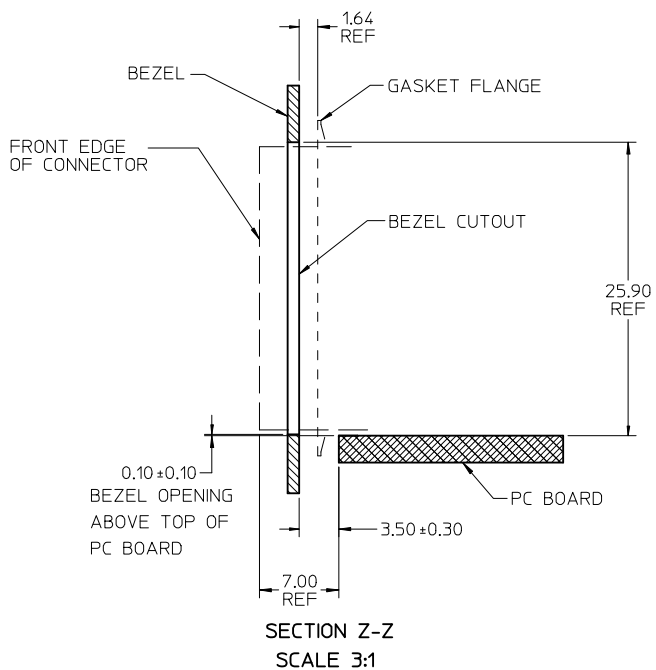
QUALITY SYMBOLS	DESCRIPTION
▽=0	
▽=0	

GENERAL TOLERANCES (UNLESS SPECIFIED)	
4 PLACES ± ---	± ---
3 PLACES ± ---	± ---
2 PLACES ± 0.13	± ---
1 PLACE ± 0.25	± ---
ANGULAR ± 5 °	

DRAWN BY DATE		SCALE		DESIGN UNITS		THIRD ANGLE PROJECTION	
JLONG 01-18-2007		3:1		METRIC			
CHECKED BY DATE		<b>STACKED SFP+ 2X4 ASS'Y WITH ELASTOMERIC GASKET</b>					
MSANDBERG 01-18-2007							
APPROVED BY DATE		<b>MOLEX INCORPORATED</b>		DOCUMENT NO. <b>SD-76102-001</b>			
RNELSON 01-18-2007							
MATERIAL NO.		SEE TABLE		SHEET NO. <b>3 OF 4</b>			
DRAFT WHERE APPLICABLE MUST REMAIN WITHIN DIMENSIONS		SIZE C		THIS DRAWING CONTAINS INFORMATION THAT IS PROPRIETARY TO MOLEX INCORPORATED AND SHOULD NOT BE USED WITHOUT WRITTEN PERMISSION			



BEZEL CUTOUT CENTER SPACING DETAIL  
BEZEL THICKNESS 0.8-2.6



SEE SHEET 1 EC NO: UCP2010-0997 DRWN: BARKER 2009/10/30 CHKD: MIBARRA 2009/11/02 APPR: SMILLER 2009/11/02	QUALITY SYMBOLS ▽=0 ▽=0	GENERAL TOLERANCES (UNLESS SPECIFIED)		DIMENSION STYLE <b>MM ONLY</b>	SCALE <b>3:1</b>	DESIGN UNITS METRIC	THIRD ANGLE PROJECTION
		4 PLACES ± --- ± --- 3 PLACES ± --- ± --- 2 PLACES ± 0.13 ± --- 1 PLACE ± 0.25 ± ---	mm INCH	DRAWN BY DATE JLONG 01-18-2007	CHECKED BY DATE MSANDBERG 01-18-2007	TITLE STACKED SFP+ 2X4 ASS'Y WITH ELASTOMERIC GASKET	
		ANGULAR ± 5 °		APPROVED BY DATE RNELSON 01-18-2007	MATERIAL NO. DOCUMENT NO. SEE TABLE SD-76102-001		SHEET NO. 4 OF 4
		DRAFT WHERE APPLICABLE MUST REMAIN WITHIN DIMENSIONS		THIS DRAWING CONTAINS INFORMATION THAT IS PROPRIETARY TO MOLEX INCORPORATED AND SHOULD NOT BE USED WITHOUT WRITTEN PERMISSION			