

PLEASE CHECK WWW.MOLEX.COM FOR LATEST PART INFORMATION

Part Number: [0350211160](#)
Status: **Active**
Description: 2.00mm (.079") Board-In Terminal for 22-30 AWG, Right Angle, Phosphor Bronze, Lead-free, Post-Tin Plating

Documents:

[3D Model](#) [Product Specification PS-35021-001 \(PDF\)](#)
[Drawing \(PDF\)](#) [RoHS Certificate of Compliance \(PDF\)](#)

General

Product Family	Crimp Terminals
Series	35021
Comments	Right Angle, Use with Housing 35023
Crimp Quality Equipment	Yes
Product Name	Board-In

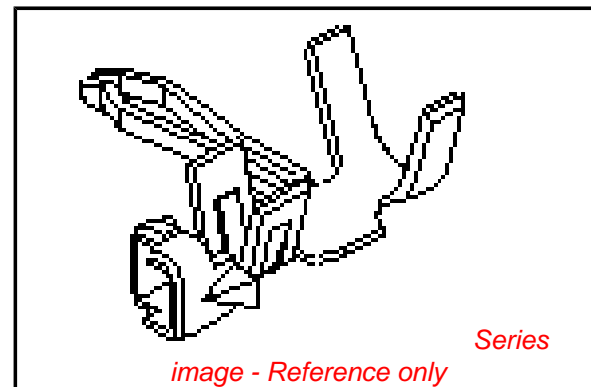
Physical

Gender	Male
Material - Metal	Phosphor Bronze
Material - Plating Mating	Tin
Material - Plating Termination	Tin
Packaging Type	Reel
Plating min: Mating (µin)	40
Plating min: Mating (µm)	1
Plating min: Termination (µin)	40
Plating min: Termination (µm)	1
Termination Interface: Style	Crimp or Compression
Wire Insulation Diameter	1.90mm (.075") max.
Wire Size AWG	22, 24, 26, 28, 30
Wire Size mm ²	N/A

Material Info

Reference - Drawing Numbers

Product Specification	PS-35021-001
Sales Drawing	SD-35021-002



EU RoHS

ELV and RoHS Compliant
REACH SVHC
Contains SVHC: No
Halogen-Free Status

China RoHS



Need more information on product environmental compliance?

Email productcompliance@molex.com
 For a multiple part number RoHS Certificate of Compliance, [click here](#)

Please visit the [Contact Us](#) section for any non-product compliance questions.

Search Parts in this Series

[35021Series](#)

Use With

[35023](#)

Application Tooling | FAQ

Tooling specifications and manuals are found by selecting the products below. Crimp Height Specifications are then contained in the Application Tooling Specification document.

Global

Description	Product #
HAND CRIMP TOOL	0638116900
T2 Terminator	0638532100
Tooling Die	
FineAdjust™	0638632100
Applicator	

DWG. IO.
SD-35021-002

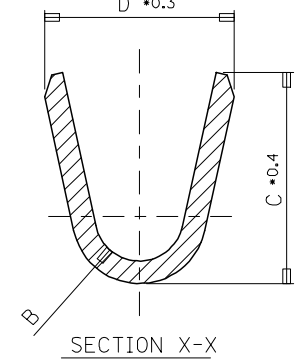
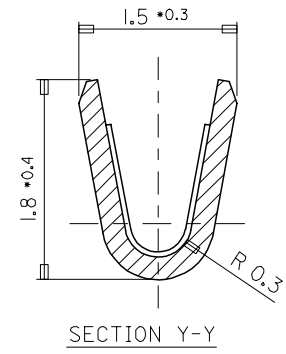
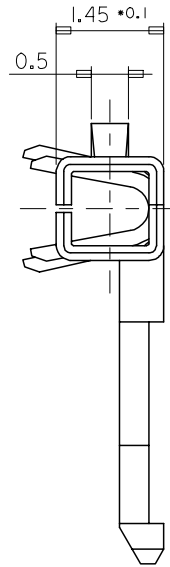
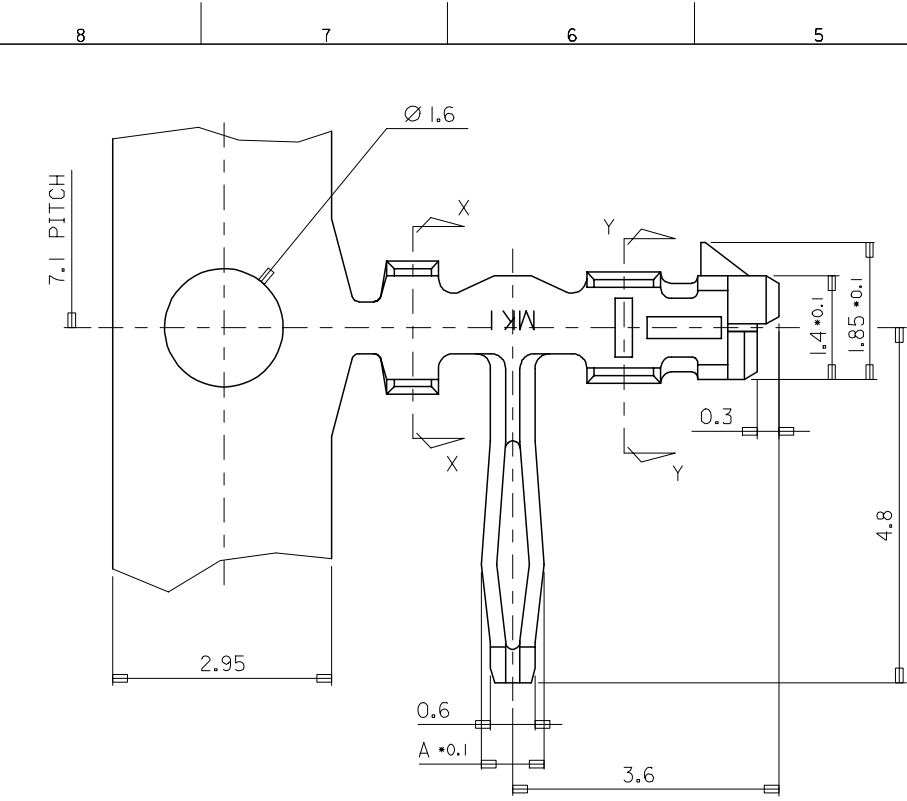
SIMILAR ITEM

PROJECT NO.

C

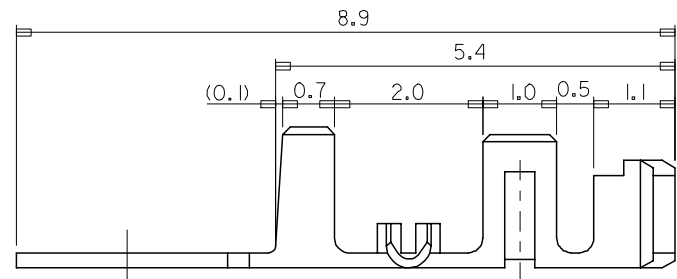
B

DO NOT SCALE DRAWING
DIMENSION IN METRIC



NOTES:

- 1. MATERIAL
 - 1) BRASS (CDA 260)
 - 2) PHOSPHOR BRONZE (CDA 510)
- 2. FINISH
 - TIN(Sn) THICKNESS = 3.0 MICROMETER MINIMUM
 - NICKEL(Ni) UNDERPLATE THICKNESS=1~3 MICROMETER
- 3. USED HOUSING : 35022-00**/35023-00**/68418-***00
- 4. THIS PRODUCT IS LEAD FREE OF 35021-***10



POST-PLATED	PHOS. BRON.	AWG #24-#30 (INS. DIA: Ø 1.5 MAX.)	1.8	1.9	R0.4	0.85	350211360	35021-1360
POST-PLATED	PHOS. BRON.	AWG #22-#30 (INS. DIA: Ø 1.9 MAX.)	2.5	2.5	R0.7	1.05	350211160	35021-1160
PLATING	MATERIAL	WIRE RANGE	D	C	B	A	MAT'L NO.	ENG NO.

REVISED EC NO. K0R2007-0069 DRWN: H.JEONG 2006/12/22 CHK: K.S.KIM 2006/12/22 APPR: Y.SOOKIM 2006/12/22	QUALITY SYMBOLS MAJOR = CRITICAL =	GENERAL TOLERANCES: (UNLESS SPECIFIED)		SCALE 15-1	DESIGN UNITS <input checked="" type="checkbox"/> mm <input type="checkbox"/> INCH	THIRD ANGLE PROJECTION 	DIMENSIONS: <input type="checkbox"/> mm <input type="checkbox"/> INCH <input type="checkbox"/> mm <input checked="" type="checkbox"/> ONLY		SHT REV
		4 PLACES ±0. ±	3 PLACES ±0. ±	2 PLACES ±0. ±	1 PLACE ±0.3 ±	DRAWN BY & DATE HSSHIN		TITLE: R/A B-IN TERMINAL -LEAD FREE-	
C	DESCRIPTION	ANGULAR: ± 1 °		APPROVED BY & DATE CWLEE		MOLEX MOLEX INCORPORATED KOREA			
		DRAFT WHERE APPLICABLE MUST REMAIN WITHIN DIMENSIONS		CAD FILENAME SD35021.DGN	MATERIAL NO. SEE TABLE	DRAWING NO. SD-35021-002	SHEET NO. 1 OF 1		

LEAD FREE

THIS DRAWING CONTAINS INFORMATION THAT IS PROPRIETARY TO MOLEX INCORPORATED AND SHOULD NOT BE USED WITHOUT WRITTEN PERMISSION.

MX-A3