

KSM Series Side Actuated Detect Switches

Features/Benefits

- Low profile – 1,5 mm
- Momentary, normally closed contact
- Thermo-formed tape & reel
- RoHS compliant and compatible

Typical Applications

- Automotive
- Position sensing switch
- Edge card reset switch
- Smart card presence switch detector
- DSL and fiber optic networks



Specifications

FUNCTION: Momentary action

CONTACT TYPE: SPST Normally closed

Mechanical

TRAVEL TO BREAK: $0.3 \text{ mm} \leq T_e \leq 0.70 \text{ mm}$

TOTAL TRAVEL: $1.72 \text{ mm} \leq T_m \leq 2.12 \text{ mm}$

FORCE AT MAXIMUM TRAVEL: $0.99 \text{ N} \leq F_a \leq 1.34 \text{ N}$

OPERATING LIFE: 50,000 cycles

Packaging

Switches are delivered on continuous tape, in reels of 2,000 pieces

Electrical

MAXIMUM POWER: 1.0 VA

MAXIMUM VOLTAGE: 32 VDC

MINIMUM VOLTAGE: 20 mV

MAXIMUM CURRENT DC: 50 mA

MINIMUM CURRENT DC: 1 mA

CONTACT RESISTANCE: $\leq 900 \text{ m}\Omega$

INSULATION RESISTANCE: $\geq 10^9 \Omega$

DIELECTRIC STRENGTH: $\geq 250 \text{ Vrms}$

BOUNCE TIME: $\leq 3 \text{ ms}$

Environmental

OPERATING TEMPERATURE: -40°C to $+85^\circ\text{C}$

STORAGE TEMPERATURE: -55°C to $+85^\circ\text{C}$

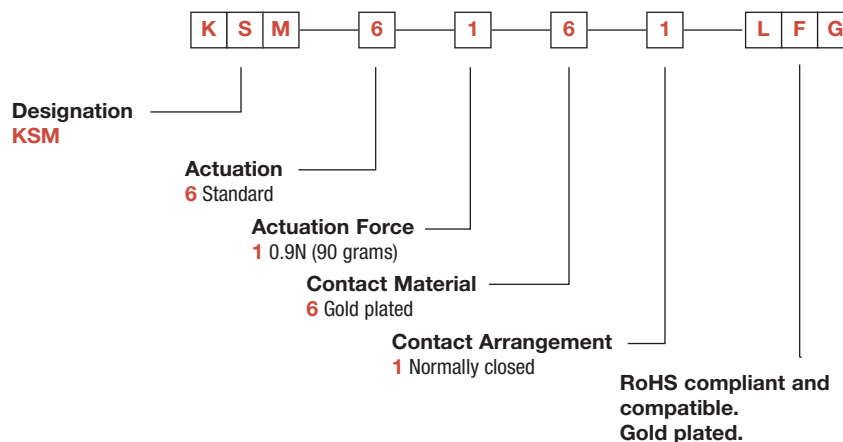
Process

SOLDERING: Compatible with lead free reflow process

NOTE: Specifications listed above are for switches with standard options. For information on specific and custom switches, consult Customer Service Center.

Build-A-Switch

To order, simply select desired option from each category and place in the appropriate box. Available options are shown and described on page E-23. For additional options not shown in catalog, consult our Customer Service Center.



E

Detect



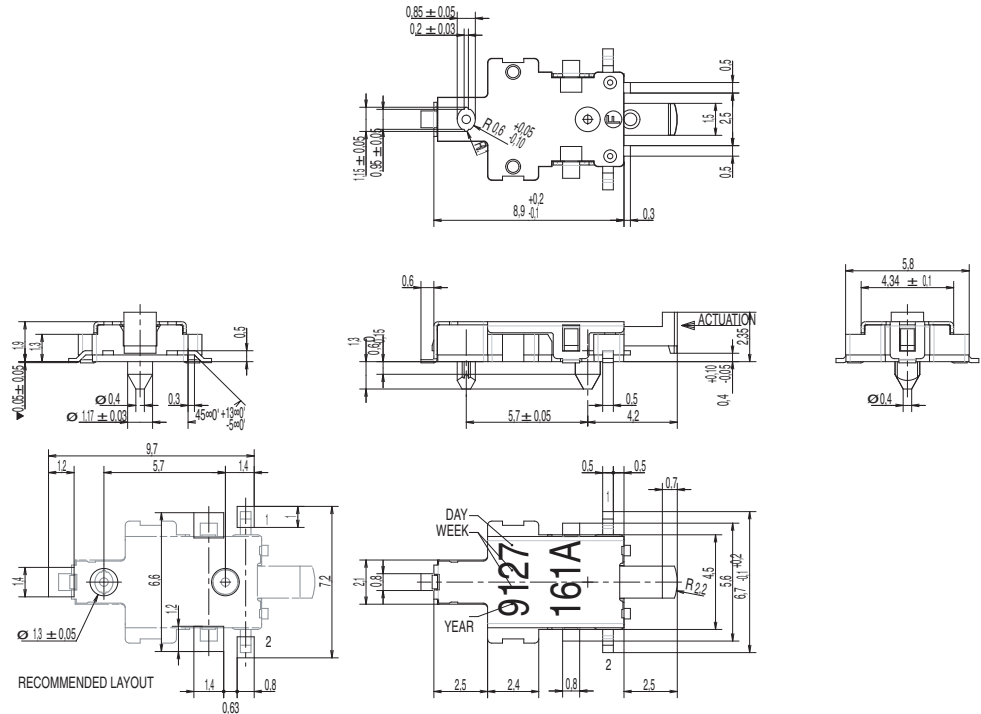
Dimensions are shown: mm

Specifications and dimensions subject to change

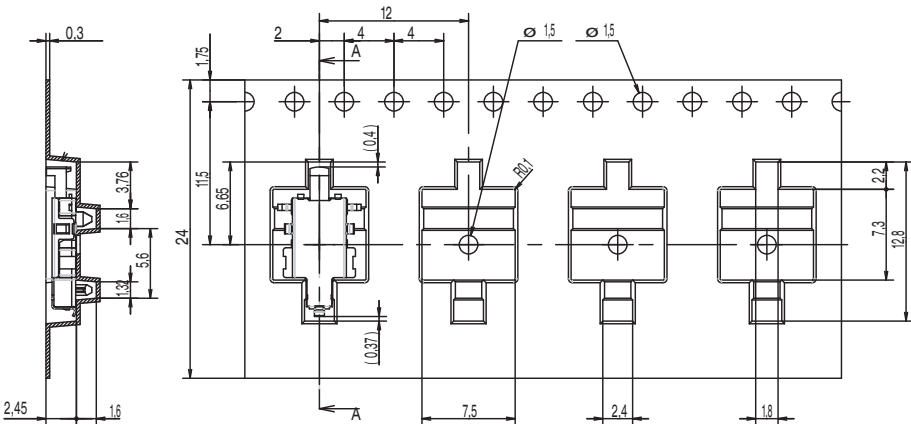
C&K

KSM Series Side Actuated Detect Switches

KSM



TAPE & REEL



Detect



First Angle
Projection

Dimensions are shown: mm
Specifications and dimensions subject to change