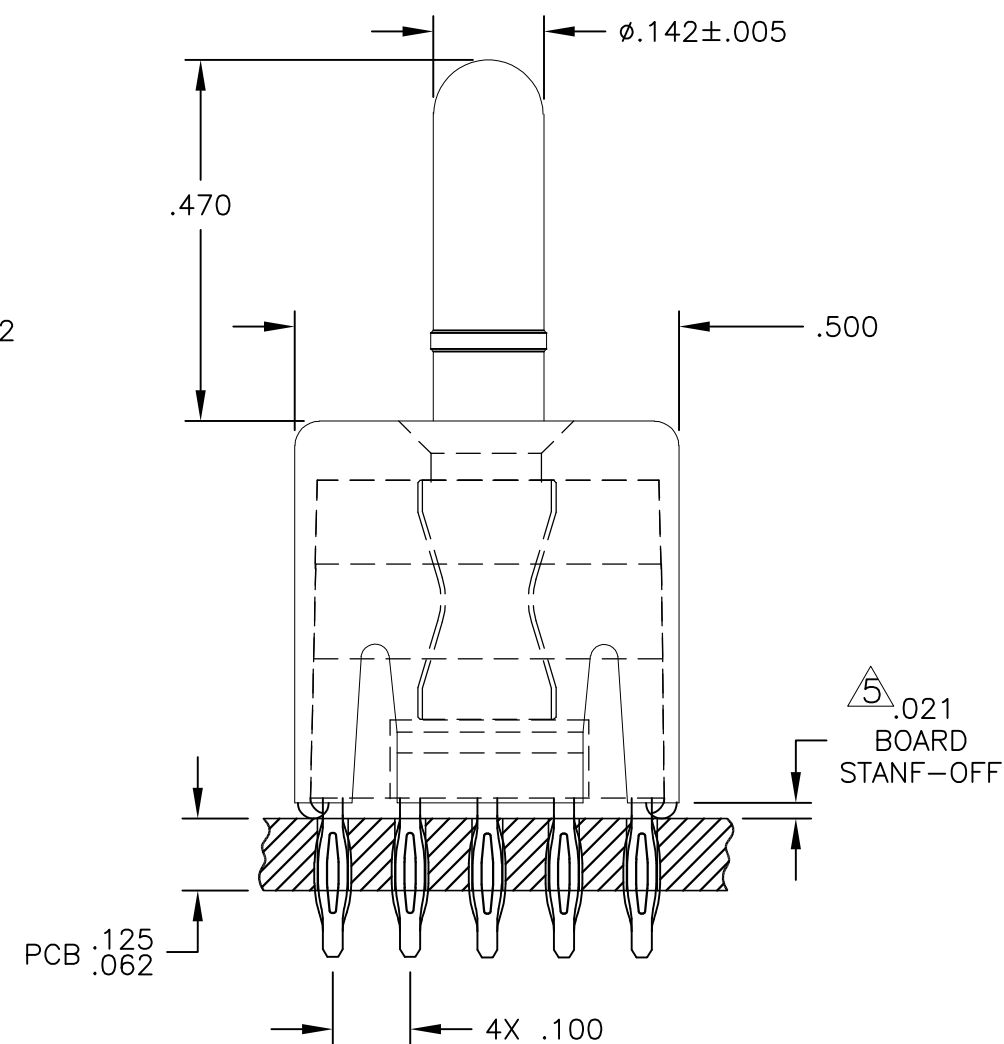
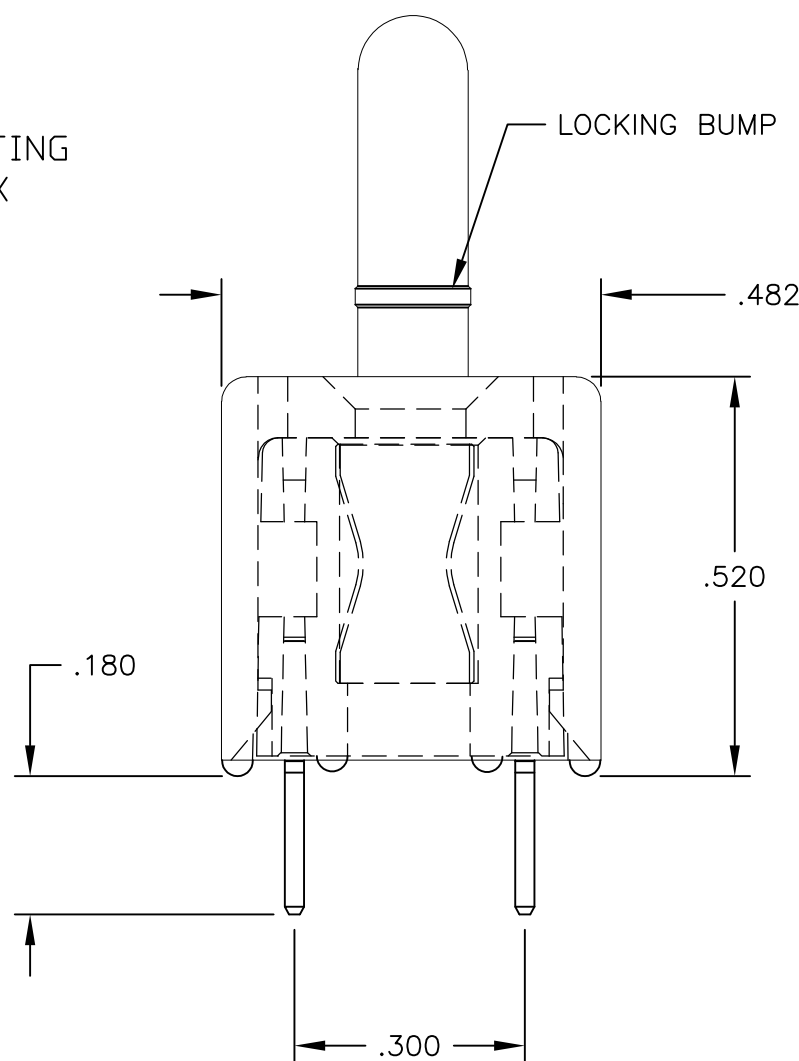
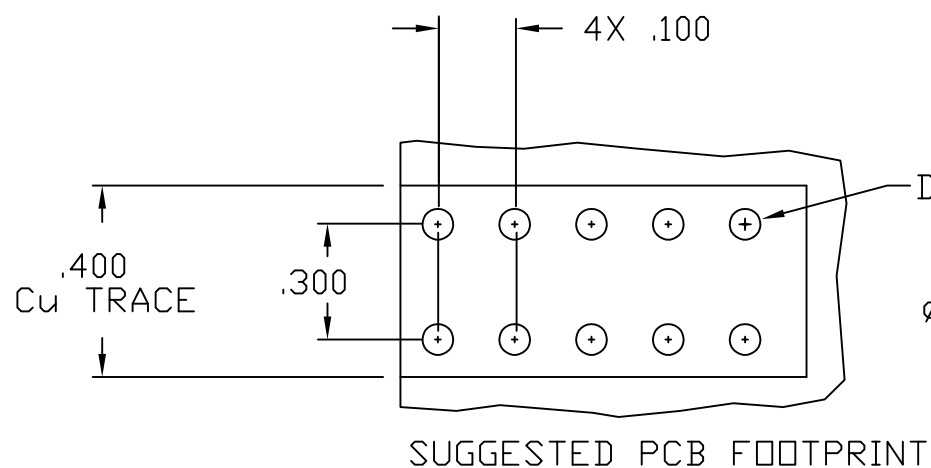


THIS DRAWING IS UNPUBLISHED. RELEASED FOR PUBLICATION
 © COPYRIGHT BY TYCO ELECTRONICS CORPORATION. ALL INTERNATIONAL RIGHTS RESERVED.

LOC	DIST	REVISIONS					
GP	00	P	LTR	DESCRIPTION	DATE	DWN	APVD
		B		REV PER ECO-10-020184	11JAN2011	RG	NE



⚠ A FIVE-POUND (5lb) FORCES REQUIRED TO CORRECTLY SEAT THE CONNECTOR WITH PLATED THRU HOLES LESS THEN $\phi .040$ INCH.

4. FINISH:

- MODULE - SILVER PLATED
- CROWN - GOLD PLATED
- PIN CONTACT - SILVER PLATED
- COMPLIANT PIN - SILVER PLATED

3. MATERIAL:

- INSULATOR - POLYESTER, GLASS FILLED, UL 94 V-0 RATED, COLOR BLACK
- MODULE - METAL CASTING
- CROWN - BECU
- PIN CONTACT - BRASS ALLOY
- COMPLIANT PIN - PHOSPHOR BRONZE

2. ITEMS PROVIDED TO THIS SPECIFICATION SHALL BE IDENTIFIED ON CONTAINER WITH THE FOLLOWING INFORMATION PART NUMBER AND DATE CODE OF MANUFACTURE.

1. PART NUMBER CHANGES AND/OR DESIGN CHANGES AFFECTING ITEM INTERCHANGEABILITY REQUIRE PRIOR TYCO APPROVAL AND AUTHORIZATION BY REVISION TO THIS DRAWING.

6643271-1
 PART NUMBER

THIS DRAWING IS A CONTROLLED DOCUMENT.		DWN 11JAN2011 LOVATO/GRZYBOWSKI	Tyco Electronics Corporation Harrisburg, PA 17105-3608													
DIMENSIONS: INCHES		CHK D.ORRIS	NAME													
TOLERANCES UNLESS OTHERWISE SPECIFIED:		APVD 11JAN2011 D.ORRIS	CONNECTOR, PIN, PERPENDICULAR 10 PIN FOOTPRINT W/COMPLIANT PIN LOCKING IC CON													
<table border="1"> <tr><td>0 PLC</td><td>± -</td></tr> <tr><td>1 PLC</td><td>± -</td></tr> <tr><td>2 PLC</td><td>± -</td></tr> <tr><td>3 PLC</td><td>± .020</td></tr> <tr><td>4 PLC</td><td>± -</td></tr> <tr><td>ANGLES</td><td>± .5</td></tr> </table>		0 PLC	± -	1 PLC	± -	2 PLC	± -	3 PLC	± .020	4 PLC	± -	ANGLES	± .5	PRODUCT SPEC	SIZE	CAGE CODE
0 PLC	± -															
1 PLC	± -															
2 PLC	± -															
3 PLC	± .020															
4 PLC	± -															
ANGLES	± .5															
MATERIAL		APPLICATION SPEC	A3	00779												
FINISH		WEIGHT	DWG NO	RESTRICTED TO												
-		-	C-6643271	-												
CUSTOMER DRAWING			SCALE	SHEET												
			4:1	1 OF 1												
			REV	B												