

PLEASE CHECK WWW.MOLEX.COM FOR LATEST PART INFORMATION

Part Number: **0190090013**
Status: **Active**
Description: VibraKrimp™ Quick Disconnect Flag, Female, for 14-16 AWG Wire

Documents:

[Drawing \(PDF\)](#) [RoHS Certificate of Compliance \(PDF\)](#)
[Product Specification PS-19902-005 \(PDF\)](#)

Agency Certification

CSA LR18689
 UL E79133

General

Product Family Quick Disconnects
 Series [19009](#)
 Comments Wire Grip
 Crimp Quality Equipment Yes
 Product Name VibraKrimp™
 Type Quick Disconnect

Physical

Barrel Type Closed
 Gender Female
 Glow-Wire Compliant No
 Insulation None
 Lock to Mating Part None
 Material - Metal Brass
 Orientation Flag
 Packaging Type Bag
 Polarized to Mating Part No
 Tab Thickness 0.81mm (.032")
 Tab Width 4.75mm (.187")
 Temperature Range - Operating Per Wire Specification
 Wire Insulation Diameter 3.68mm (.145") max.
 Wire Size AWG 14, 16
 Wire Size mm² 1.30 - 2.00

Electrical

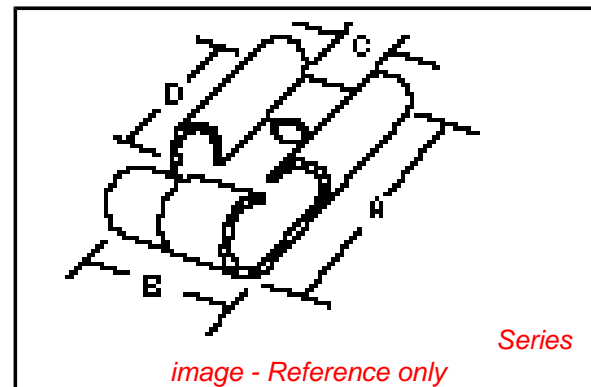
Voltage - Maximum Per Wire Specification

Material Info

Old Part Number BB-4171-032

Reference - Drawing Numbers

Product Specification PS-19902-005
 Sales Drawing CDFGS187



EU RoHS

ELV and RoHS Compliant
REACH SVHC Contains SVHC: No
Halogen-Free Status

China RoHS



Need more information on product environmental compliance?

Email productcompliance@molex.com
 For a multiple part number RoHS Certificate of Compliance, [click here](#)

Please visit the [Contact Us](#) section for any non-product compliance questions.

Search Parts in this Series

[19009Series](#)

Application Tooling | [FAQ](#)

Tooling specifications and manuals are found by selecting the products below. Crimp Height Specifications are then contained in the Application Tooling Specification document.

Global

Description	Product #
Hand Crimp Tool	0640034200

6

5

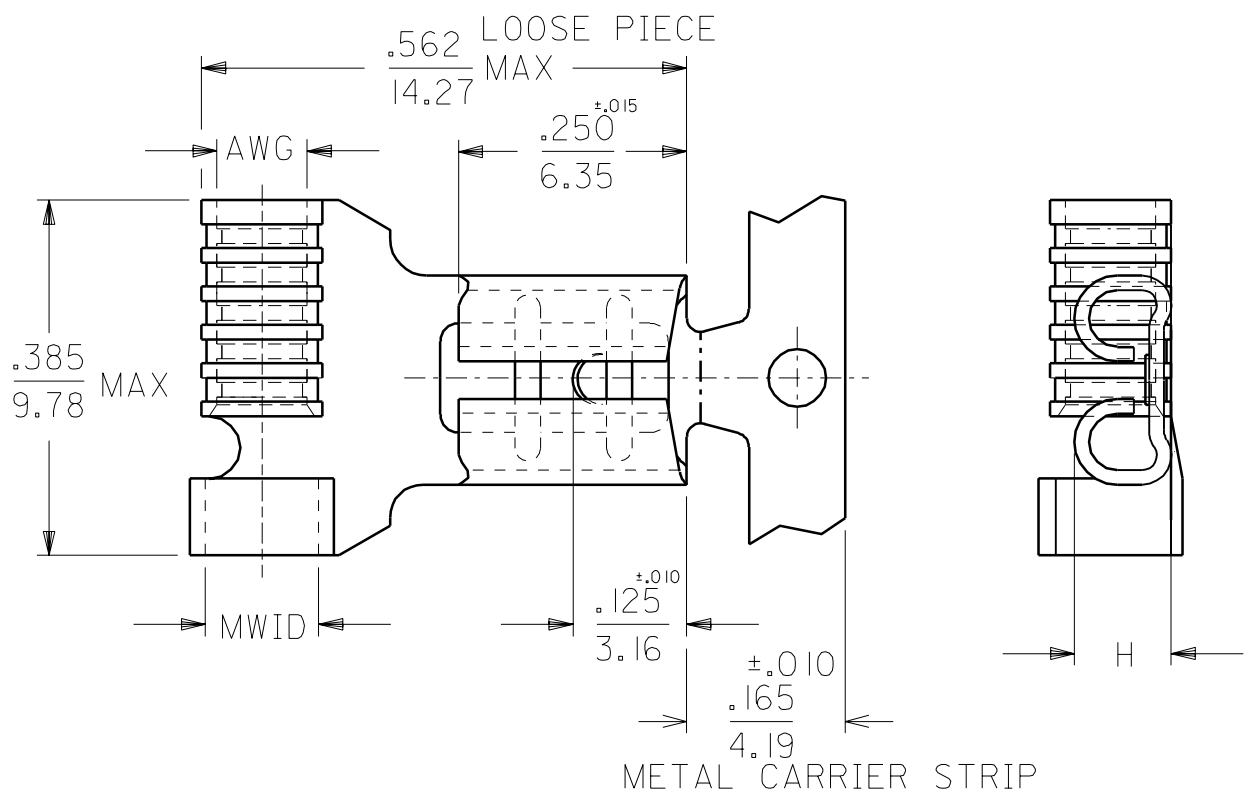
4

3

2

1

DRWG. NO. CUST. DRWG.



METAL STRIP PART NO.	LOOSE PART NO.	DIMENSIONS			
		AWG	MWID	"H" MAX	TAB SIZE
AAZ-4170	AA-4170	22-18	.135/3.43	.121/3.07	.187X.020
BBZ-4171	BB-4171	16-14	.145/3.68	.121/3.07	.187X.020
AAZ-4170-032	AA-4170-032	22-18	.135/3.43	.131/3.33	.187X.032
BBZ-4171-032	BB-4171-032	16-14	.145/3.68	.131/3.33	.187X.032

LTR.	REVISIONS

NOTES:
1. ALL DIMENSIONS = INCHES/MM

DIMENSIONS SHOWN (METRIC) INCH	
UNLESS OTHERWISE SPECIFIED TOLERANCES: ANGULAR $\pm 1/2^\circ$	
	INCH METRIC
3 PLACE	$\pm .005$ ± 0.13
2 PLACE	$\pm .01$ ± 0.25
1 PLACE	$\pm \text{---}$ $\pm \text{---}$
DRAFT WHERE APPLICABLE MUST REMAIN WITHIN DIMENSIONS	
DRWG. BY RM	CHK'D. BY JM
APP'D. BY FP	SCALE 5: 1

REVISE ONLY ON CAD SYSTEM

TITLE
FLAG NON-INSULATED WITH INSULATION SUPPORT
.187X.020 & .032 TAB

molex ETC INC. PINELLAS PARK, FLA. 33781 U.S.A.		SHEET NO.	DATE
PART NO.		DRWG. NO.	CUST. DRWG.

FILE NAME CDFGS187 THIS DRAWING CONTAINS INFORMATION THAT IS PROPRIETARY TO MOLEX-ETC INC. AND SHOULD NOT BE USED WITHOUT WRITTEN PERMISSION. DIV. SIZE A

6

5

4

3

2

1