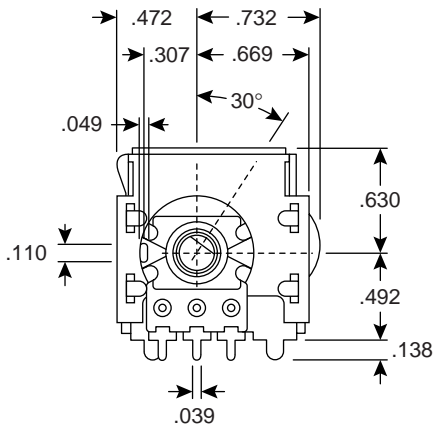
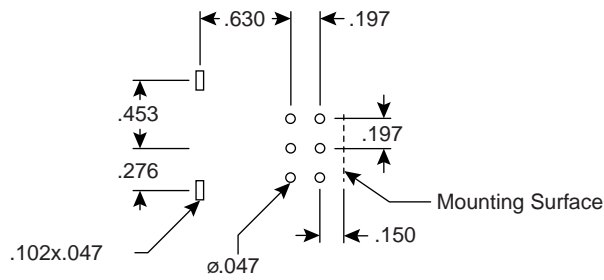


Side View

Dimensions (In.)
(except where noted)



Front View



Mounting Hole Detail

Specifications:

- Type: rotary motor-driven, single shaft dual unit
- Taper: linear
- Rotational torque: 100~450gfcM
- Motor voltage: 3~6VDC
- Rotational speed: $11 \pm 3 \text{ sec./}300^\circ$ @ 4.5VDC
- Maximum operating current: 100mA @ rotation, 150mA @ end slip
- Rotational life: 15,000 cycles(manual)
- Operating temperature range: $-20^\circ \sim +70^\circ \text{C}$
- Suitable for volume control applications
- Values: 10K, 50K, 100K

