

**PLEASE CHECK WWW.MOLEX.COM FOR LATEST PART INFORMATION**

**Part Number:** **0643204319**  
**Status:** **Active**  
**Overview:** cmc connectors  
**Description:** .635mm (.025"), 1.50mm (.059"), CMC Receptacle, 36 Circuits, Right Wire Output, Brown Coding, Mat Sealed, Row 1 closed

**Documents:**

[3D Model](#) [Application Specification \(PDF\)](#)  
[Drawing \(PDF\)](#) [RoHS Certificate of Compliance \(PDF\)](#)

**General**

Product Family	Crimp Housings
Series	<u>64320</u>
Comments	* Current tested on a 5 terminals loaded connector, current for temperature increase of 40°C . Current max = 6.0A for 0.635mm Terminal (0.75mm <sup>2</sup> wire) and 12.0A for 1.5mm Terminal (2.0mm <sup>2</sup> wire) *
More Detailed Tech Information	Sealed, high-density, modular connecting system for Power Train and Body Electronics applications in cars, trucks, busses
Overview	<u>cmc connectors</u>
Product Name	CMC

**Physical**

Circuits (maximum)	36
Circuits Detail	6 x 1.5mm, 30 x 0.635mm terminals
Color - Resin	Brown
Gender	Female
Glow-Wire Compliant	No
Keying to Mating Part	Yes
Lock to Mating Part	Yes
Material - Resin	Polyester
Number of Rows	4
Packaging Type	Carton
Panel Mount	No
Pitch - Mating Interface (in)	0.100 In, 0.146 In
Pitch - Mating Interface (mm)	2.54 mm, 3.70 mm
Polarized to Mating Part	Yes
Stackable	No
Temperature Range - Operating	-40°C to +125°C

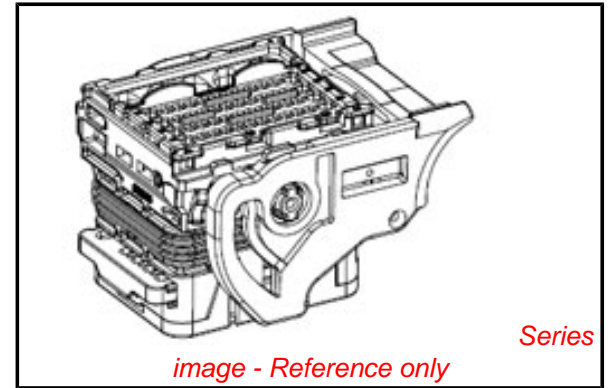
**Electrical**

Current - Maximum per Contact	12A, 6A
-------------------------------	---------

**Material Info**

**Reference - Drawing Numbers**

Packaging Specification	PK-64320-001
Sales Drawing	SD-64320-003



**EU RoHS**

**ELV and RoHS Compliant**  
**REACH SVHC**  
 Not Reviewed  
**Halogen-Free Status**  
 Not Reviewed

**China RoHS**



**Need more information on product environmental compliance?**

Email [productcompliance@molex.com](mailto:productcompliance@molex.com)  
 For a multiple part number RoHS Certificate of Compliance, [click here](#)

Please visit the [Contact Us](#) section for any non-product compliance questions.

**Search Parts in this Series**

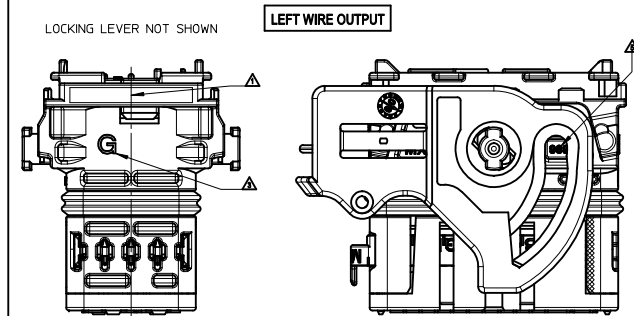
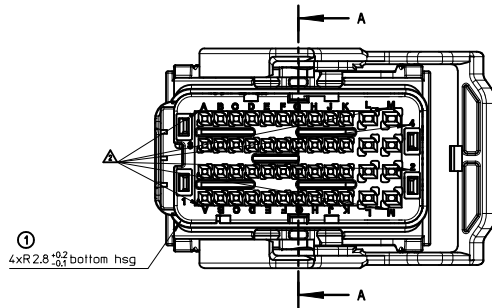
[64320Series](#)

**Mates With**

[36638 CMC Header](#)

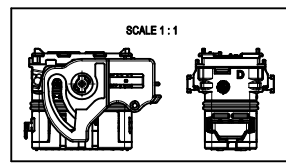
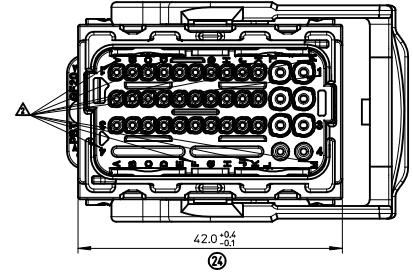
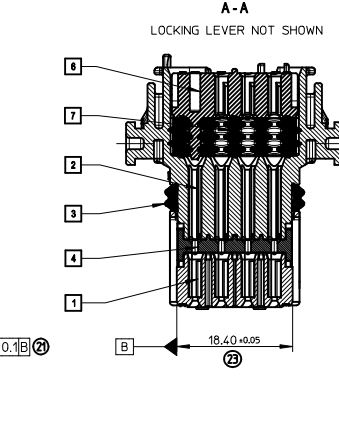
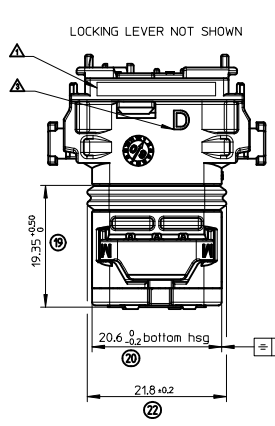
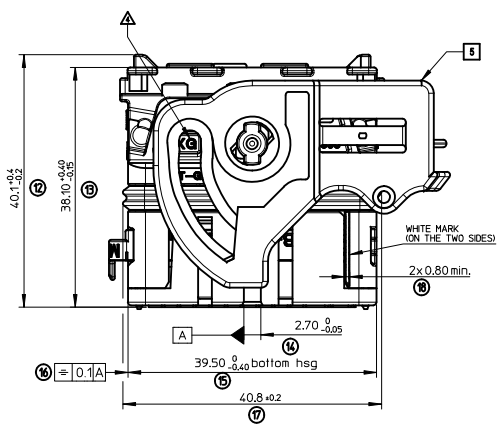
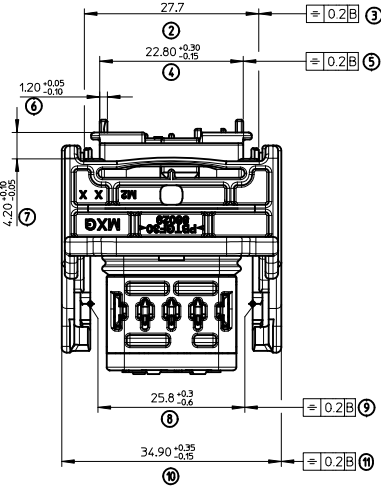
**Use With**

CMC CP Female Terminal [64322](#) , [64323](#).  
 Circuit Way Plugs [643251010](#) , [643251023](#).  
 CMC Wire Cap [643201301](#). CMC 48 Circuit Header [36638](#)



LINE N°1 CLOSED  
YELLOW BACK GRID VERSION

LEFT WIRE OUTPUT		RIGHT WIRE OUTPUT	
MATERIAL NUMBER	COLOR	MATERIAL NUMBER	COLOR
0643202311	BLACK	0643204311	BLACK
0643202319	BROWN	0643204319	BROWN



- NOTES:**
- FOR ILLUSTRATION PURPOSE THE FEMALE HOUSING SHOWN IS: THE RIGHT WIRE OUTPUT VERSION CODING 1
  - APPLICATION SPECIFICATION: AS-64319-001
  - WIRES EXTERNAL DIAMETER USED:  
FOR CP0.6 TERMINAL: USED WIRES WITH AN EXTERNAL DIAMETER BETWEEN Ø1.25MM MIN AND Ø1.90MM MAX  
FOR CP15 TERMINAL: USED WIRES WITH AN EXTERNAL DIAMETER BETWEEN Ø1.40MM MIN AND Ø2.80MM MAX
  - THE CONNECTOR FITS WITH WIRE CAP (48 WAY) MOLEX P/N 0643201301
  - BLIND PLUG FOR 04 AND 15 CAVITIES (MOLEX P/N 0643251010 AND 0643251023) MUST BE USED ON THIS PART.
  - DELIVERED PRODUCT WEIGHT: 33.8 g

POS.	DESIGNATION	MATERIAL	COLOR
7	MAT SEAL	SILICON	BLUE
8	BACK GRID 36W	>PBT-GF20<	YELLOW
9	LOCKING LEVER 48W	>PBT-GF30<	BLACK
4	SECONDARY LOCK	>PBT-GF20<	GREY
3	PERIPHERAL SEAL 48W	SILICON	RED
2	BACK PART	>PBT-GF20<	BLACK
1	FRONT PART	>PBT-GF20<	BLACK
			COLOR LINKED TO KEYING

**MARKINGS :**

- ▲ - Assembled part tracability: Day + Year
- ▲ - Terminal cavities identification
- ▲ - Lever position indicator: 'D' LETTER VISIBLE = Part with 'LEVER ON THE RIGHT' 'G' LETTER VISIBLE = Part with 'LEVER ON THE LEFT'
- ▲ - Supplier identification
- ▲ - Material identification

UPDATED DRAWING  
EC NO: DRWINGDESBUERES 2009/06/03  
CHKD.C. BOUCHAN  
APPR:

GENERAL TOLERANCES (UNLESS SPECIFIED)	
mm	INCH
4 PLACES ± ---	± ---
3 PLACES ± ---	± ---
2 PLACES ± 0.1	± ---
1 PLACE ± 0.1	± ---
ANGULAR ± 2 °	

DIMENSION STYLE	
MM ONLY	
DRAWN BY	DATE
T. BADAROUX	2008/05/23
CHECKED BY	DATE
P. GRANDCLAUD	2008/05/23
APPROVED BY	DATE
C. BOUCHAN	2008/05/23

SCALE 2.5:1 DESIGN UNITS METRIC FIRST ANGLE PROJECTION

CMC CONNECTOR 36 WAY MAT SEAL VERSION

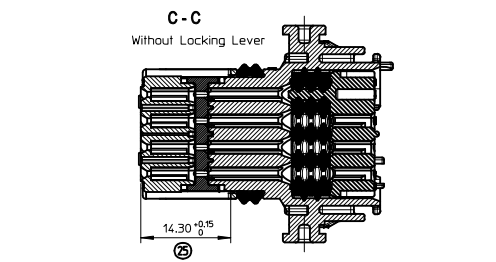
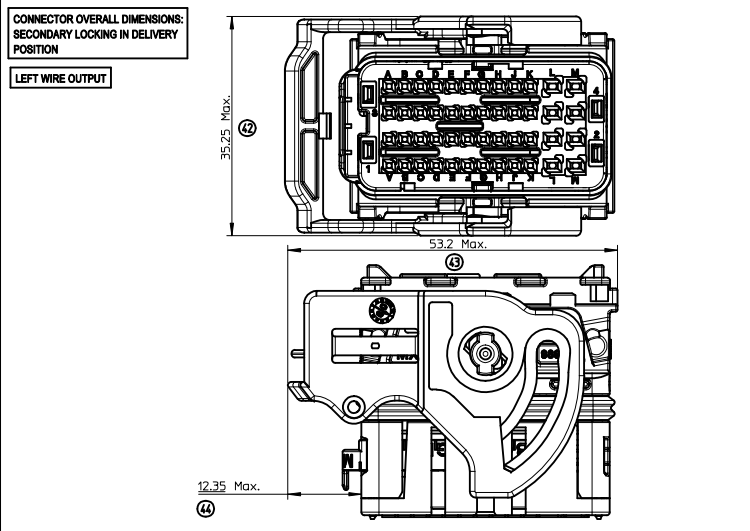
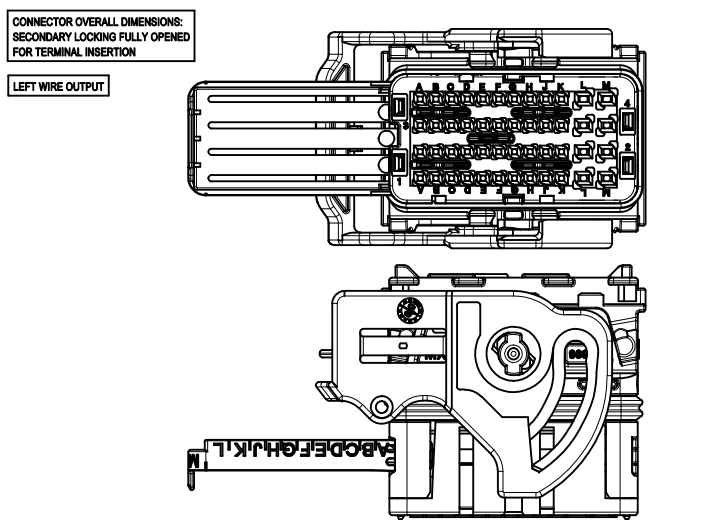
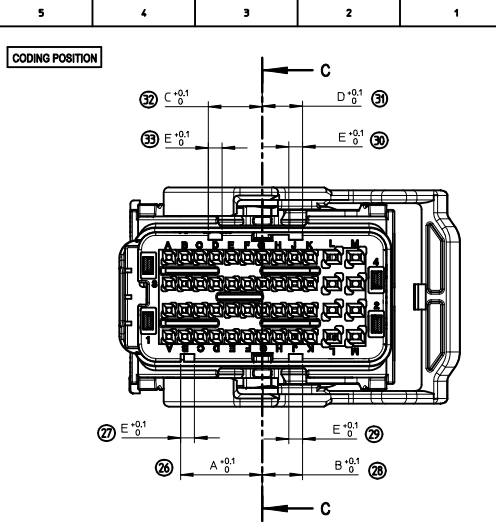
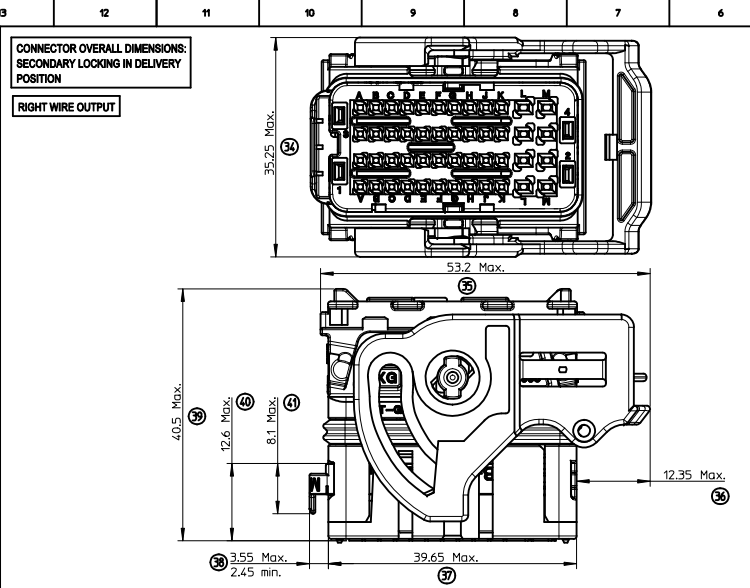
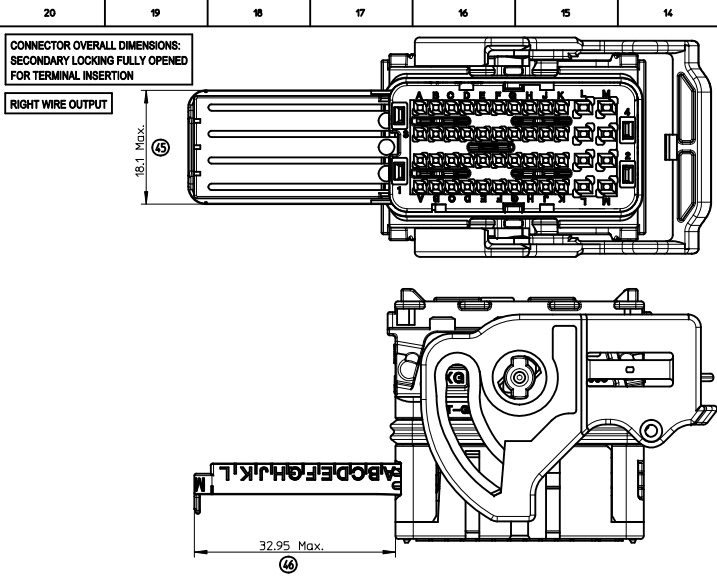
MOLEX MOLEX INCORPORATED

SEE SHEET 2

SD-64320-003

SHEET NO. 1 OF 2

THIS DRAWING CONTAINS INFORMATION THAT IS PROPRIETARY TO MOLEX INCORPORATED AND SHOULD NOT BE USED WITHOUT WRITTEN PERMISSION



COLOR	KEYING	A	B	C	D	E
BLACK	1	13	6.4	8.6	6.4	2.2
GREY	2	10.8	8.6	13	8.6	2.2
BROWN	3	8.6	10.8	13	13	2.2
GREEN	4	10.8	13	6.4	6.4	2.2

TERMINALS USED				
CAVITY N°	FEMALE TERMINALS (Section mm2)	PLATING	MOLEX P/N*	min / MAX WIRE INSULATION DIAMETER (mm)
A1 to K1 A2 to K2 A3 to K3 A4 to K4	CP 0.6 0.35mm2	Tin plated	0643221019	Ø1.25 min / Ø1.40 Max
		Gold plated	0643221229	
	CP 0.6 0.5mm2	Tin plated	0643221039	Ø1.40 min / Ø1.70 Max
		Gold plated	0643221239	
L1 to L4 M1 to M4	CP 0.6 0.75mm2	Tin plated	0643221029	Ø1.60 min / Ø1.90 Max
		Gold plated	0643221219	
	CP 1.5 0.5mm2 to 1mm2	Tin plated	0643231319	Ø1.40 min / Ø2.15 Max
		Gold plated	0643231039	
CP 1.5 >1mm2 to 2mm2	Tin plated	0643231039	Ø2.10 min / Ø2.80 Max	
	Gold plated	0643231219		

UPDATED DRAWING  
 EC NO: D  
 DRWINGESBRIEVES 2009/06/03  
 CHKDC. BOUCHAN  
 APPR: [REDACTED]

GENERAL TOLERANCES  
(UNLESS SPECIFIED)

	mm	INCH
4 PLACES	± 0.1	± 0.004
3 PLACES	± 0.15	± 0.006
2 PLACES	± 0.2	± 0.008
1 PLACE	± 0.3	± 0.012

ANGULAR ± 2°

DRAFT WHERE APPLICABLE  
MUST REMAIN  
WITHIN DIMENSIONS

DIMENSION STYLE  
MM ONLY

SCALE  
2.5:1

DESIGN UNITS  
METRIC

FIRST ANGLE  
PROJECTION

DRAWN BY  
T. BADAROUX

DATE  
2008/05/23

CHECKED BY  
P. GRANDCLAUD

DATE  
2008/05/23

APPROVED BY  
C. BOUCHAN

DATE  
2008/05/23

MATERIAL NO.  
DOCUMENT NO.  
SD-64320-003

SHEET NO.  
2 OF 2

MOLEX INCORPORATED

THIS DRAWING CONTAINS INFORMATION THAT IS PROPRIETARY TO MOLEX  
INCORPORATED AND SHOULD NOT BE USED WITHOUT WRITTEN PERMISSION