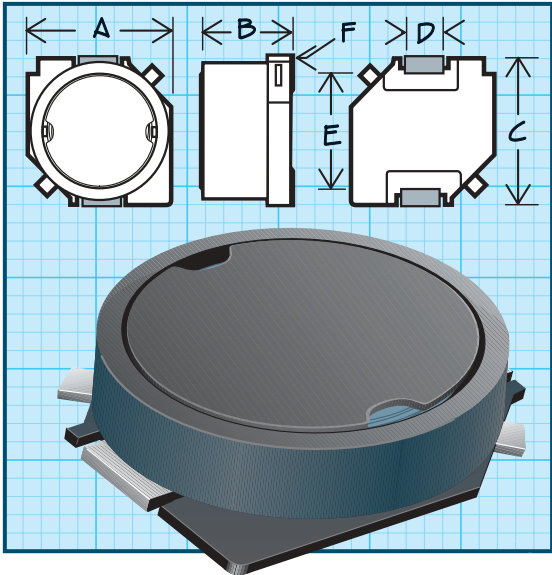


Series 3483 & S3483

Surface Mount Power Inductors



Physical Parameters

	Inches	Millimeters
A	0.276 to 0.299	7.0 to 7.6
B	0.114 to 0.138	2.9 to 3.5
C	0.276 to 0.299	7.0 to 7.6
D	0.067 to 0.091	1.7 to 2.3
E	0.201 to 0.224	5.1 to 5.7
F	0.033 Nom.	0.85 Nom.

F = Electrode Thickness

Current Rating

The DC where inductance value decreases 10% or where the temperature rise is 40°C Max.

Operating Temperature Range -20°C to +80°C

Marking Printed with the last three numbers of the Delevan Part Number (i.e. 101)

Electrical Characteristics (Initial) @ 25°C

- Notes**
- 1) Miniature Surface Mount Type
 - 2) Low Profile
 - 3) Inductance Range is 1-100µH
 - 4) Available in Magnetically Shielded or Unshielded Versions

Packaging Tape and Reel for Auto Insertion (16mm): 13" reel, 1000 pieces max.; 7" reel not available. Quantities less than full reel are on "cut tape".

PART NUMBER

INDUCTANCE @ 100 KHz
(µH) ±20%

DC RESISTANCE
MAXIMUM (OHMS)

CURRENT RATING
MAXIMUM (Amps)

SERIES 3483 - UNSHIELDED

3483-1R0M	1.0	0.022	2.88
3483-1R5M	1.5	0.026	2.67
3483-2R2M	2.2	0.032	2.40
3483-3R3M	3.3	0.041	2.08
3483-4R7M	4.7	0.049	1.92
3483-6R8M	6.8	0.067	1.60
3483-100M	10.0	0.085	1.41
3483-120M	12.0	0.100	1.28
3483-150M	15.0	0.130	1.12
3483-180M	18.0	0.160	1.00
3483-220M	22.0	0.180	0.93
3483-270M	27.0	0.240	0.80
3483-330M	33.0	0.290	0.72
3483-390M	39.0	0.340	0.66
3483-470M	47.0	0.410	0.59
3483-560M	56.0	0.480	0.55
3483-680M	68.0	0.600	0.49
3483-820M	82.0	0.710	0.44
3483-101M	100.0	0.950	0.38

SERIES 3483 - SHIELDED WITH FERRITE

S3483-1R0M	1.0	0.019	3.12
S3483-1R5M	1.5	0.023	2.85
S3483-2R2M	2.2	0.028	2.66
S3483-3R3M	3.3	0.035	2.26
S3483-4R7M	4.7	0.043	1.96
S3483-6R8M	6.8	0.055	1.76
S3483-100M	10.0	0.080	1.34
S3483-120M	12.0	0.090	1.23
S3483-150M	15.0	0.120	1.09
S3483-180M	18.0	0.130	0.99
S3483-220M	22.0	0.150	0.90
S3483-270M	27.0	0.210	0.81
S3483-330M	33.0	0.250	0.72
S3483-390M	39.0	0.310	0.67
S3483-470M	47.0	0.350	0.60
S3483-560M	56.0	0.430	0.55
S3483-680M	68.0	0.520	0.50
S3483-820M	82.0	0.600	0.46
S3483-101M	100.0	0.790	0.41

POWER INDUCTORS