

FEATURES

- Miniature type, general purpose applications
- 1 to 2 poles contact form
- 15A contact capacity
- DC and AC coil available
- Various mounting options include socket, PCB and flange
- UL, CUR approved

TYPICAL APPLICATIONS

- Machine tools
- Medical equipment
- Industrial control
- Transportation

CONTACT RATING

Form	1 Form C (1Z)	2 Form C (2Z)
Rated Load	15A, 220VAC/28VDC	10A, 220VAC/28VDC
Max. Switching Current	15A	10A
Max. Switching Voltage	250VAC/125VDC	
Max. Switching Power	3300VA/420W	2200VA/280W

UL/CUR RATING

Form	1 Form C (1Z)	2 Form C (2Z)
General Use		10A, 250VAC
Resistance	15A, 250VAC/30VDC 10A, 240VAC/30VDC	10A, 240VAC/30VDC
Inductive		1/3 HP, 240VAC/120VAC

CONTACT DATA

Material	AgCdO	
Initial Contact Resistance	50 mΩ max. at 1A, 24VDC	
Service Life	Mechanical	2 x 10 ⁷ ops.
	Electrical	10 ⁵ ops.

COIL DATA

Type	Coil Voltage Code	Nominal Voltage (VDC/VAC)	Resistance (Ω) ±10%		Must Operate Voltage max. (VDC/VAC)	Must Release Voltage min. (VDC/VAC)
			Power Consumption			
DC	005	5	27.5	0.9W	4.0	0.5
	006	6	40		4.8	0.6
	012	12	160		9.6	1.2
	024	24	650		19.2	2.4
	048	48	2600*		38.4	4.8
	110	110	11000*		88.0	11.0
AC	006A	6	11.5	1.2VA	4.8	1.8
	012A	12	46		9.6	3.6
	024A	24	184		19.2	7.2
	048A	48	735		38.4	14.4
	120A	120	4550*		96.0	36.0
	220A/240A	220/240	14400*		176.0	66.0

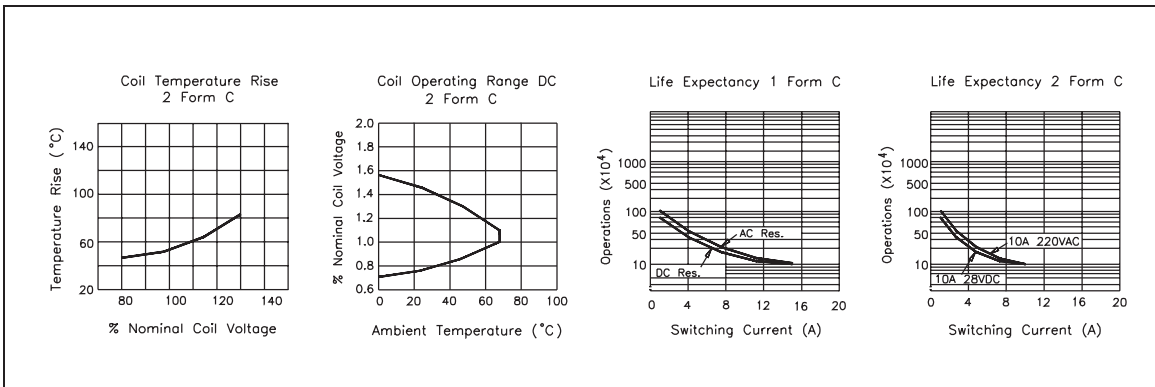
CHARACTERISTICS

Operate Time	25 ms.
Release Time	25 ms.
Insulation Resistance	1000 MΩ, at 500 VDC, 50%RH
Dielectric Strength	1500 Vrms, 1 min. between coil and contacts 1000 Vrms, 1 min. between open contacts
Shock Resistance	10 g, 11ms. functional; 100 g, destructive
Vibration Resistance	DA 1.5 mm, 10 - 55 Hz
Ambient Temperature	-55°C to 70°C
Weight	37 g, approx.

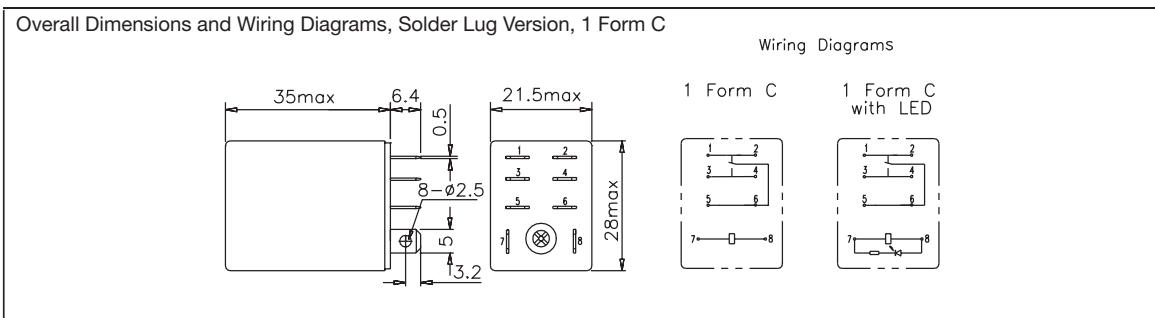
ORDERING DESIGNATION

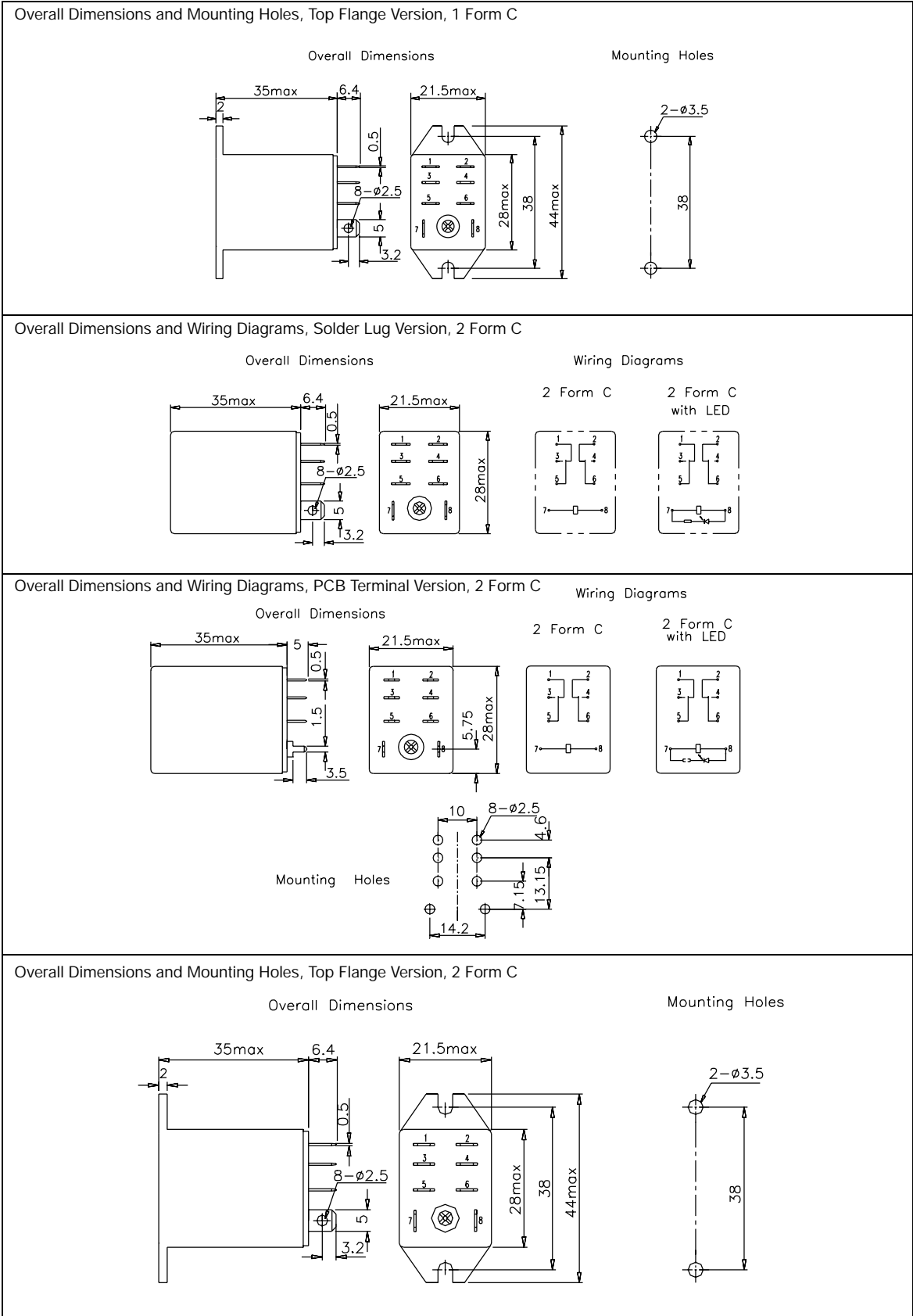
Example:	HG4104L /	012	A -	2Z	6	D	C
Model							
Coil Voltage Code							
DC/AC							
Nil: DC Coil; A: AC Coil							
Contact Form							
1Z: 1 Form C							
2Z: 2 Form C							
Version							
Nil: Solder Lug; 4: PCB							
6: Top Flange; 6A: Bottom Flange; 6B: Lateral Flange							
Indicator							
Nil: Without LED; D: With LED							
Contact Material							
C: AgCdO; S: AgSnOInO							

REFERENCE CURVES

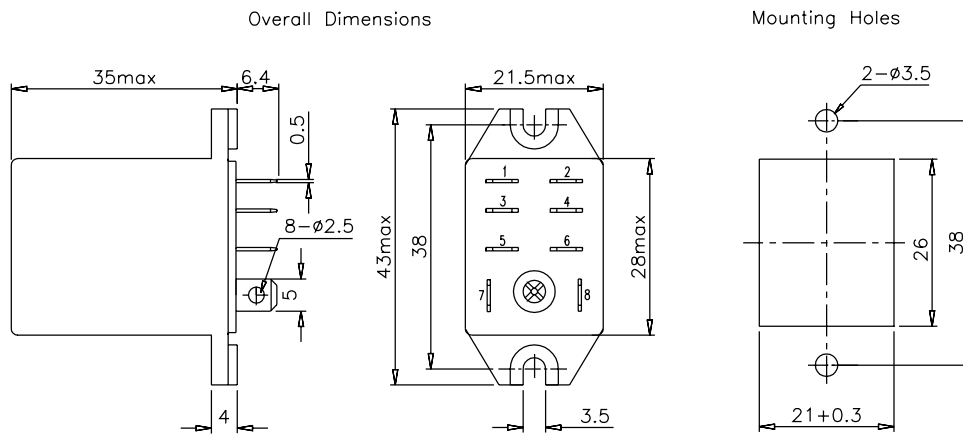


OVERALL DIMENSIONS, MOUNTING HOLES AND WIRING DIAGRAMS (mm)

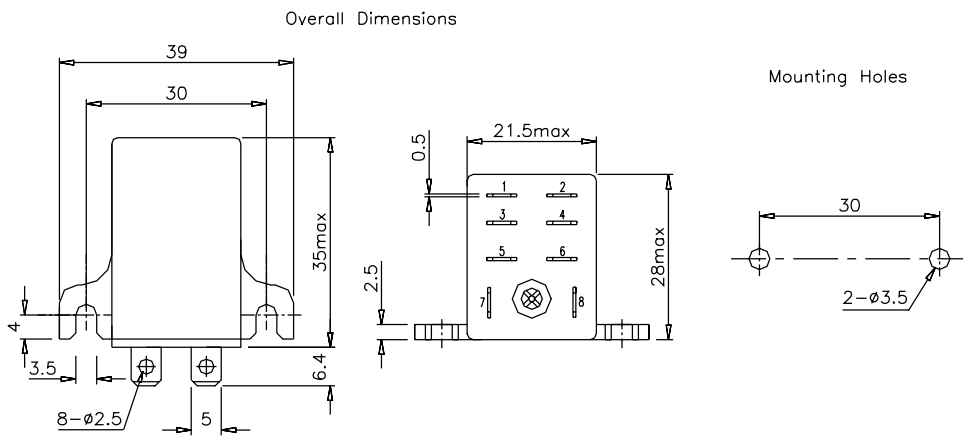




Overall Dimensions and Mounting Holes, Bottom Flange Version, 2 From C



Overall Dimensions and Mounting Holes, Lateral Flange Version, 2 From C



NOTES

1. All parameters, unless otherwise specified, are measured at ambient temperature 23°C.
2. Coil resistance with * mark is $\pm 15\%$.
3. Custom-made services available with operational quantity. Please let us know your special requirements.
4. Specifications subject to change without prior notice.