

PLEASE CHECK WWW.MOLEX.COM FOR LATEST PART INFORMATION

Part Number: [0355120200](#)
Status: **Active**
Overview: [bulb sockets](#)
Description: 6.40mm (.252") Pitch Housing for Wedge Bulb Socket, Female, Sealed, 2 Circuits

Documents:

[Drawing \(PDF\)](#) [RoHS Certificate of Compliance \(PDF\)](#)
[Product Specification PS-35512-001 \(PDF\)](#)

General

Product Family	Crimp Housings
Series	35512
Overview	bulb sockets
Product Name	Bulb Socket

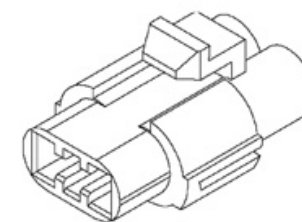
Physical

Circuits (maximum)	2
Color - Resin	Gray
Gender	Female
Glow-Wire Compliant	No
Material - Resin	Nylon
Number of Rows	1
Packaging Type	Bag
Panel Mount	No
Pitch - Mating Interface (in)	0.252 In
Pitch - Mating Interface (mm)	6.40 mm
Stackable	No
Temperature Range - Operating	-40°C to +105°C

Material Info

Reference - Drawing Numbers

Packaging Specification	PK-35512-0200
Product Specification	PS-35512-001
Sales Drawing	SD-35512-001



Series
image - Reference only

EU RoHS

ELV and RoHS Compliant
REACH SVHC
 Not Reviewed
Halogen-Free Status

China RoHS



Need more information on product environmental compliance?

Email productcompliance@molex.com
 For a multiple part number RoHS Certificate of Compliance, [click here](#)

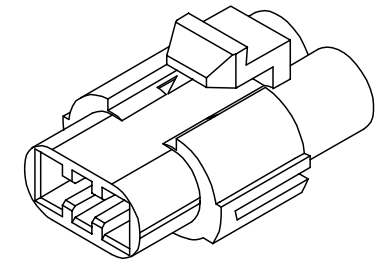
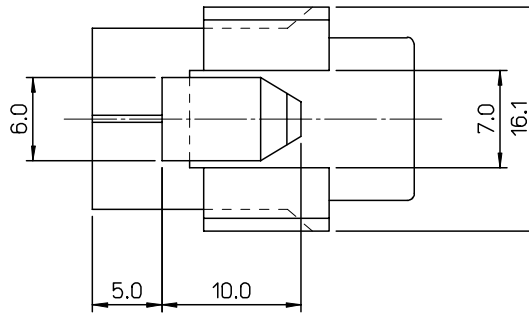
Please visit the [Contact Us](#) section for any non-product compliance questions.

Search Parts in this Series
[35512Series](#)

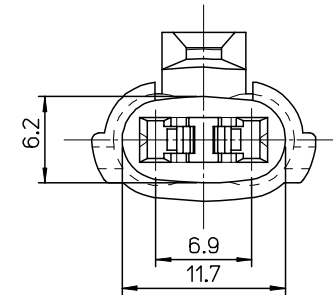
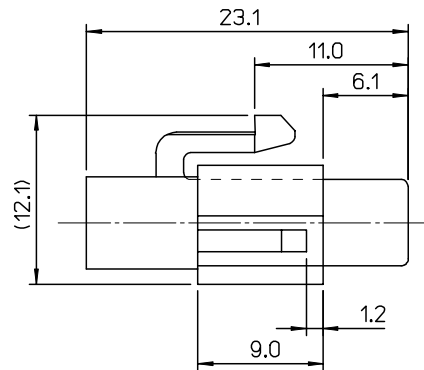
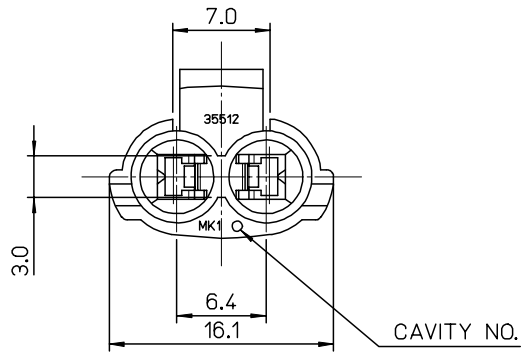
Mates With
 35341

Use With
 35768

NO.	MATERIAL NO.	ENG. NO.
1	355120200	35512-0200



ISOMETRIC VIEW



NOTES

1. MATERIAL : POLYAMIDE(PA66), 40% MINERAL FILLED, UL94HB

CHANGED OF MATERIAL E.C. NO.: KOR2008-0070 DRW: NEEKIM 2007/10/04 CHK: BCY00N 2007/10/04 APPR: YUNSIKKIM 2007/10/02	QUALITY SYMBOLS ▽=0 ▽=0	GENERAL TOLERANCES (UNLESS SPECIFIED)		DIMENSION STYLE MM ONLY	SCALE 4:1	DESIGN UNITS METRIC	THIRD ANGLE PROJECTION	
		4 PLACES ± --- ± ---	3 PLACES ± --- ± ---	2 PLACES ± --- ± ---	1 PLACE ± 0.3 ± ---	DRAWN BY: JKOH DATE: 1997/01/20		TITLE STS FEMALE HOUSING 2P
		ANGULAR ± 1 °				CHECKED BY: BKCHOI DATE: 1997/01/20		
		DRAFT WHERE APPLICABLE MUST REMAIN WITHIN DIMENSIONS				APPROVED BY: CWLEE DATE: 1997/01/20		MOLEX INCORPORATED
				MATERIAL NO.: 355120200		DOCUMENT NO.: SD-35512-001		
				SIZE: A2		SHEET NO.: 1 OF 1		