

## Best Sellers

Order code	Manufacturer code	Description
60-4690	GS-SH-205D	5V GS-D SERIES 1A DPDT RELAY (RC)
60-4690	GS-SH-205D	5V GS-D SERIES 1A DPDT RELAY (RC)
60-4692	GS-SH212D	12V GS-D SERIES 1A DPDT RELAY RC
60-4694	GS-SH-224D	24V GS-D SERIES 1A DPDT RELAY RC

Best Sellers

Page 1 of 3

The enclosed information is believed to be correct, Information may change without notice due to product improvement. Users should ensure that the product is suitable for their use. E. & O. E.

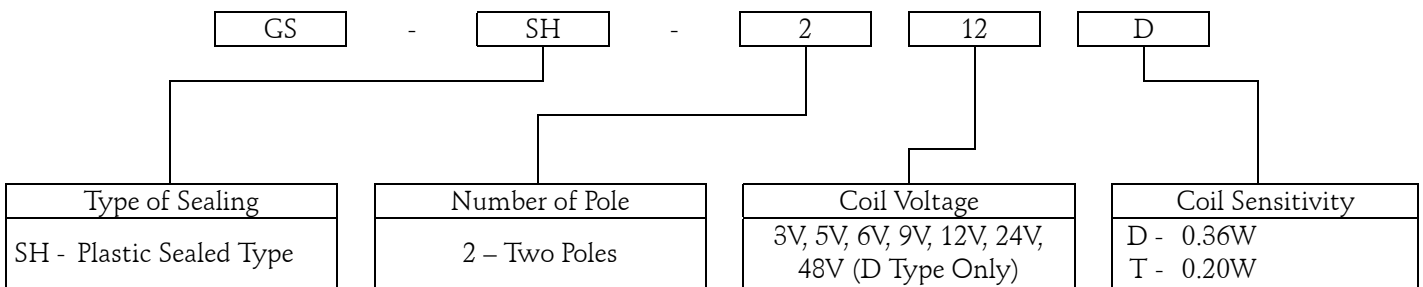
Revision A  
20/02/2007



## Coil Specification (at 20°C)

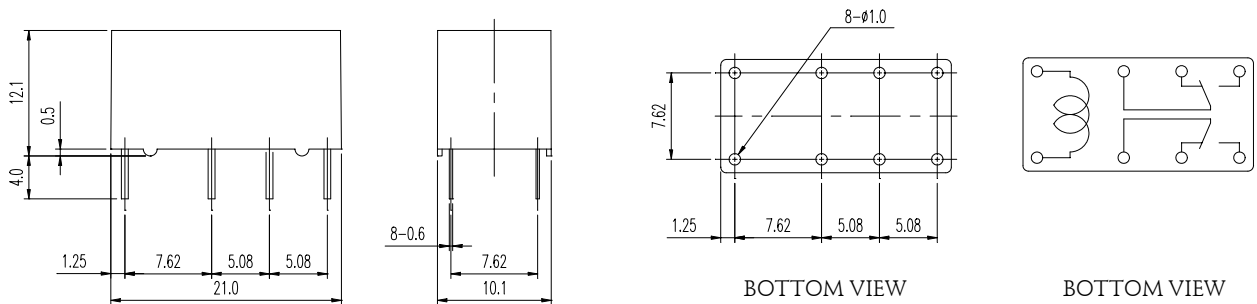
Coil Sensitivity	Nominal Voltage (VDC)	Nominal Current (mA)	Coil Resistance ( $\Omega \pm 10\%$ )	Power Consumption (W)	Pull-In Voltage (VDC)	Drop-Out Voltage (VDC)	Maximum Allowable Voltage (VDC)
GS - D	3	120	25	Abt. 0.36	75% Maximum	10% Minimum	150%
	5	71.4	70				
	6	60	100				
	9	40	225				
	12	30	400				
	24	15	1,600				
GS - T	3	66.7	45	Abt. 0.20	75% Maximum	10% Minimum	150%
	5	40	125				
	6	33.3	180				
	9	22.2	405				
	12	16.7	720				
	24	8.3	2,880				

## Ordering Information:



## Dimension:

GS-SH



## Reference Data:

