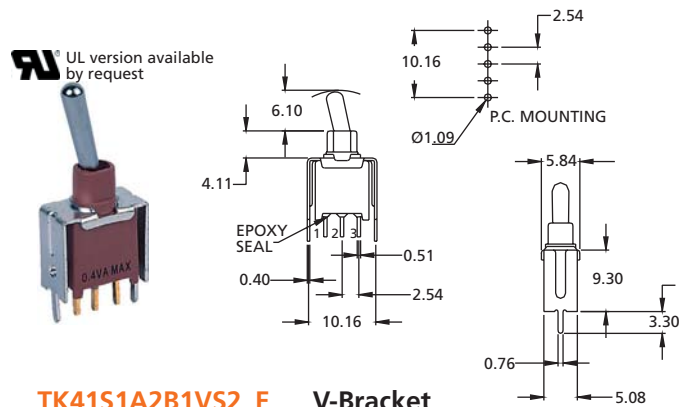
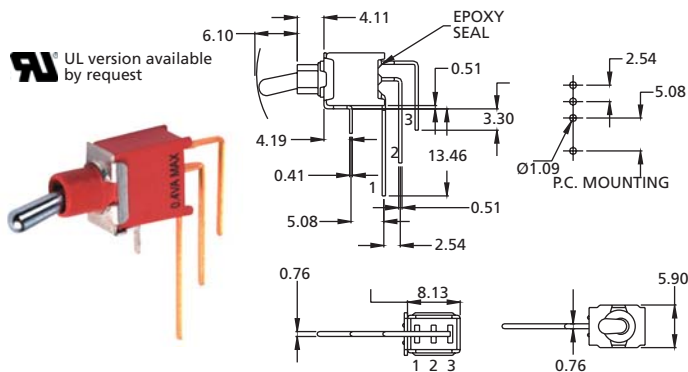
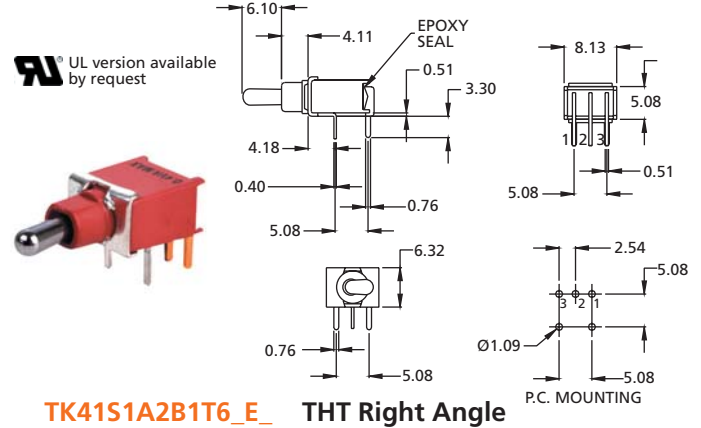
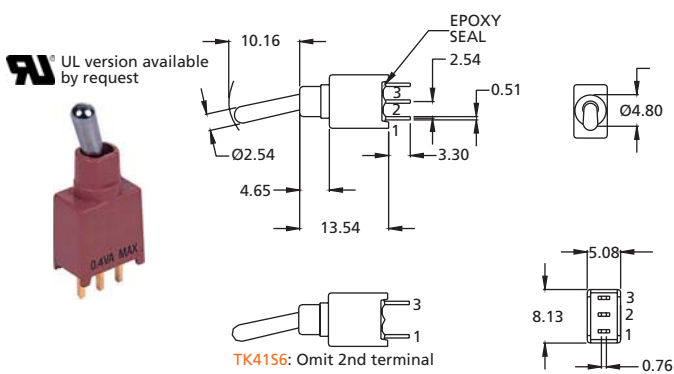


# Toggle Switches

## Sealed Sub-Miniature SPDT Toggle Switches

## TK41 Series



**TK41S3A2B1T7\_E THT Vertical Right Angle**

**TK41S1A2B1VS2\_E V-Bracket**

No. Poles	Model No.	Switch Function			Connected Terminals / Schematic		
		Position 1	Position 2	Position 3	Position 1	Position 2	Position 3
SP	TK41S1	ON	NONE	ON		N/A	
SP	TK41S2	ON	NONE	MOM		N/A	
SP	TK41S3	ON	OFF	ON		N/A	
SP	TK41S4	MOM	OFF	MOM		OPEN	
SP	TK41S5	ON	OFF	MOM		N/A	
SP	TK41S6	OFF	NONE	ON	OPEN	N/A	3-1

### How to order:

TK41

#### 1 POLES & SWITCH FUNCTION:

- S1 SP ON-NONE-ON
- S2 SP ON-NONE-MOM
- S3 SP ON-OFF-ON
- S4 SP MOM-OFF-MOM
- S5 SP ON-OFF-MOM
- S6 SP OFF-NONE-ON

#### 2 ACTUATOR (See page A14):

- A1 Height = 10.16 mm
- A2 Height = 6.10 mm
- A3 Height = 8.13 mm
- A4 Height = 13.97 mm
- AA Height = 10.16 mm, plastic, anti-static
- AB Height = 6.10 mm, plastic, anti-static

#### 3 BUSHING (See page A14):

- B1 Height = 4.65 mm
- B3 Height = 5.00 mm

#### 4 TERMINALS (See page A14):

- T2 PC Thru Hole
- T5 Wire Wrap
- T6 PC Thru Hole Right Angle
- T6N PC Thru Hole Right Angle Snap-In

- T7 PC Thru Hole, Vertical Right Angle
- T7N PC Thru Hole, Vertical Right Angle, Snap-in
- VS2 V-Bracket, Height=9.30mm
- V2N Snap-in V-Bracket, Height=9.30mm

#### 5 CONTACT MATERIAL:

- AG Silver
- AU Gold
- UT Gold, Tin-Lead
- GT Silver, Tin-Lead
- UG Gold over Silver
- UGT Gold over Silver, Tin-Lead

#### 6 SEAL:

- E Epoxy (Standard)

#### 7 ROHS & LEAD FREE:

- blank RoHS Compliant (Standard)
- V RoHS Compliant & Lead Free

### General Specifications:

#### MATERIALS

- » Movable Contact & Fixed Terminals:
  - AG, GT, UG & UGT: Silver plated over copper alloy
  - AU & UT: Gold over nickel plated over copper alloy

#### MECHANICAL

- » Operating Temperature: -30°C to +85°C
- » Mechanical Life: 30,000 cycles
- » Degree of Protection: IP67

#### CONTACT RATING

- » AG, GT, UG & UGT: 3A120VAC/28VDC  
1A250VAC
- » AU & UT: 0.4VA max. 20V max. (AC/DC)

#### ELECTRICAL

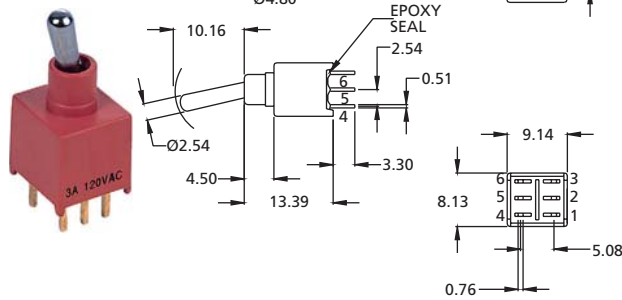
- » Contact Resistance: 10mΩ max. initial @ 2-4VDC  
100mA for silver & gold plated contacts
- » Insulation Resistance: 1,000MΩ min.

# Toggle Switches

## Sealed Sub-Miniature DPDT Toggle Switches

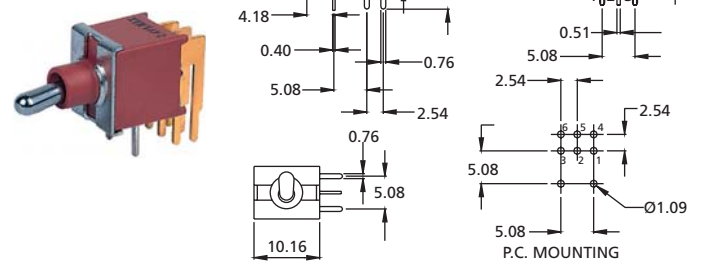
## TK42 Series

 UL version available by request



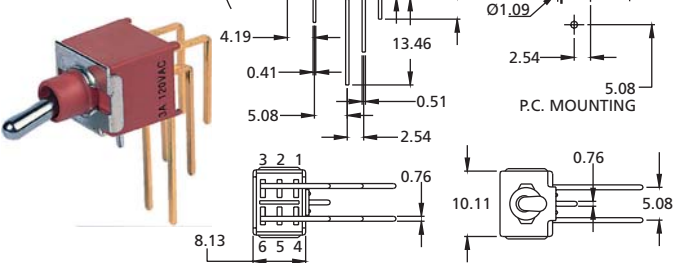
**TK42D1A1B2T2\_E THT**

 UL version available by request



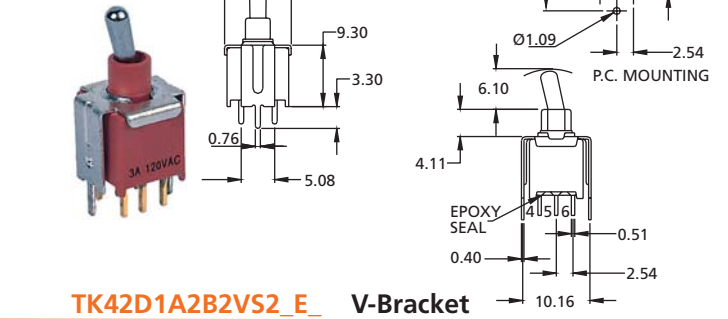
**TK42D1A2B2T6\_E THT Right Angle**

 UL version available by request



**TK42D1A2B2T7\_E THT Vertical Right Angle**

 UL version available by request



**TK42D1A2B2VS2\_E V-Bracket**

No. Poles	Model No.	Switch Function			Connected Terminals / Schematic		
		Position 1	Position 2	Position 3	Position 1	Position 2	Position 3
DP	TK42D1	ON	NONE	ON	2-3, 5-6	N/A	2-1, 5-4
DP	TK42D2	ON	NONE	MOM	1-2(COMM) 3-6		1-2(COMM) 3-6
DP	TK42D3	ON	OFF	ON		OPEN	
DP	TK42D6	ON	ON	ON	2-3, 5-6	2-3, 5-4	2-1, 5-4

### How to order:

TK42

#### 1 POLES & SWITCH FUNCTION:

- D1 DP ON-NONE-ON
- D2 DP ON-NONE-MOM
- D3 DP ON-OFF-ON
- D6 DP ON-ON-ON

#### 2 ACTUATOR (See page A14):

- A1 Height = 10.16 mm
- A2 Height = 6.10 mm
- A3 Height = 8.13 mm
- A4 Height = 13.97 mm
- AA Height = 10.16 mm, plastic, anti-static
- AB Height = 6.10 mm, plastic, anti-static

#### 3 BUSHING (See page A14):

- B2 Height = 4.50 mm

#### 4 TERMINALS (See page A14):

- T2 PC Thru Hole
- T5 Wire Wrap
- T6 PC Thru Hole Right Angle
- T6N PC Thru Hole Right Angle Snap-In
- T7 PC Thru Hole, Vertical Right Angle

#### T7N PC Thru Hole, Vertical Right Angle, Snap-in

- VS2 V-Bracket, Height=9.30mm
- V2N Snap-in V-Bracket, Height=9.30mm

#### 5 CONTACT MATERIAL:

- AG Silver
- AU Gold
- UT Gold, Tin-Lead
- GT Silver, Tin-Lead
- UG Gold over Silver
- UGT Gold over Silver, Tin-Lead

#### 6 SEAL:

- E Epoxy (Standard)

#### 7 ROHS & LEAD FREE:

- blank RoHS Compliant (Standard)
- V RoHS Compliant & Lead Free

### General Specifications:

#### MATERIALS

» Movable Contact & Fixed Terminals:

AG, GT, UG & UGT: Silver plated over copper alloy

AU & UT: Gold over nickel plated over copper alloy

#### MECHANICAL

» Operating Temperature: -30°C to +85°C

» Mechanical Life: 30,000 cycles

» Degree of Protection: IP67

#### CONTACT RATING

» AG, GT, UG & UGT: 3A120VAC/28VDC  
1A250VAC

» AU & UT: 0.4VA max. 20V max. (AC/DC)

#### ELECTRICAL

» Contact Resistance: 10mΩ max. initial @ 2-4VDC

100mA for silver & gold plated contacts

» Insulation Resistance: 1,000MΩ min.

# Toggle Switches

## Additional Informations for TK41 & TK42 Series

Toggle Switches

### ACTUATOR OPTIONS

A1	A2	A3	A4	AA	AB
Actuator shown with B1 Bushing, sub 0.34 for B3 Bushing				ESD Plastic Actuator	

### BUSHING OPTIONS

B1 For SPDT only	B2 For DPDT only	B3 For SPDT only

### TERMINAL OPTIONS

			Other Terminals see the pages of series
T2 PC Thru Hole			T6, T6N, T7, VS2

T6N	T7N	V2N