

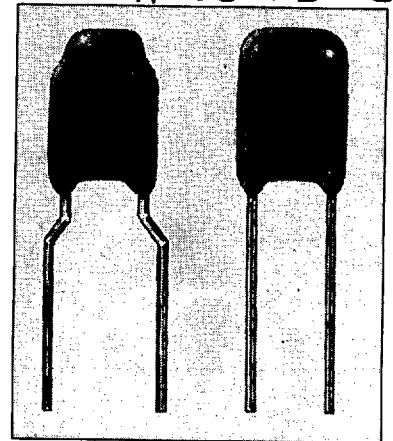
Conformally Coated, Radial Leaded Multilayer Ceramic Capacitors

NCM Series

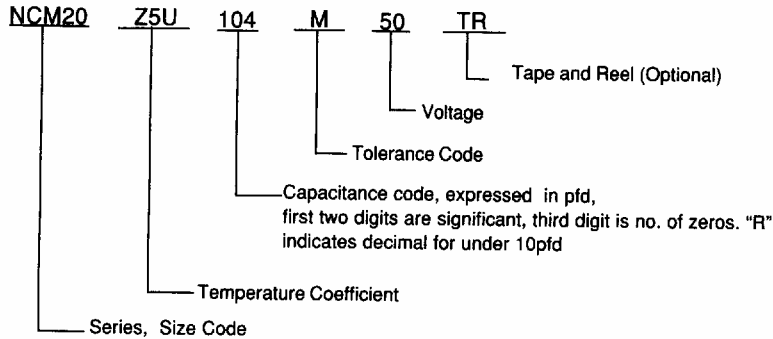
A-05-05-03

FEATURES

- FLAME RETARDANT EPOXY COATING
- TEMPERATURE COEFFICIENTS NPO, X7R, Z5U
- 50, 100 AND 200 VOLTS
- AVAILABLE ON TAPE AND REEL



PART NUMBERING SYSTEM



SPECIFICATIONS

Characteristics	NPO	X7R	Z5U
Capacitance Range*	1pfd ~ .1mfd	470pfd ~ 4.7mfd	1000pfd ~ 4.7mfd
Capacitance Tolerance (Code)	±1%(F), ±2%(G), ±5%(J), ±10%(K)	±5%(J), ±10%(K), ±20%(M)	±20%(M), +80 -20%(Z)
Operating Temperature Range	-55°C to +125°C	-55°C to +125°C	-10°C to +85°C
Temperature Characteristics	0±30ppm/°C	±15% (0 Vdc)	+22%, -56%
Voltage Rating	50, 100 & 200 Vdc	50 & 100 Vdc	50 & 100 Vdc
Dissipation Factor	0.15% Max. (+25°C and +125°C) For Values Greater Than 30pfd. For Values of 30pfd and Below: Q = 20 x C + 400 1.0 VRMS, 1 MHz For Values ≤ 100pfd and 1KHz For Values > 100pfd	2.5% Max. at 1 KHz 1 VRMS Max.	4.0% Max. at 1KHz, 5VRMS Max.
Insulation Resistance 25°C (MIL-STD-202-Method 302)	100K Megohms or 1000 Megohms- μF Min., Whichever is Less	100K Megohms or 1000 Megohms- μF Min., Whichever is Less	10K Megohms or 100 Megohms- μF Min., Whichever is Less
Dielectric Strength	250% of Rated Vdc	250% of Rated Vdc	200% of Rated Vdc
Life Test (1000 hours)	200% of Rated Voltage at +125°C	200% of Rated Voltage at +125°C	150% of Rated Voltage at +85°C



NCM Series

Conformally Coated, Radial Leaded Multilayer Ceramic Capacitors

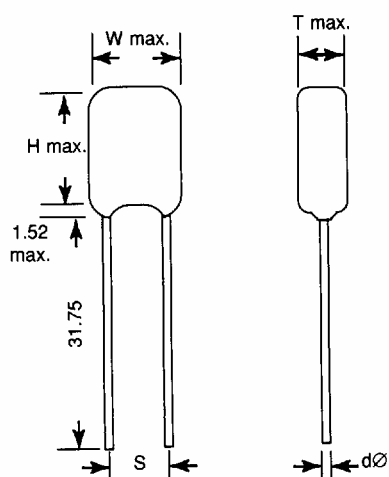
SIZE CODE AND AVAILABLE CAPACITANCE RANGE

Size Code	WVDC	NPO	X7R	Z5U
NCM 15	50	330pfd~1000pfd	470pfd~.022mfd	.01mfd~.082mfd
	100/200	1pfd~680pfd	470pfd~4700pfd	1000pfd~.01mfd
NCM 20	50	820pfd~8200pfd	5600pfd~0.15mfd	.1mfd~.47mfd
	100/200	330pfd~6800pfd	.01mfd~.1mfd	.015mfd~.22mfd
NCM 21	50	10pfd~8200pfd	1000pfd~.22mfd	.01mfd~.47mfd
	100/200	10pfd~8200pfd	1000pfd~.1mfd	.01mfd~.22mfd
NCM 30	50	6800pfd~.027mfd	.33mfd~1.0mfd	.68mfd~3.3mfd
	100	6800pfd~.022mfd	.15mfd~.47mfd	.33mfd~1.0mfd
NCM 40	50	.039mfd~.068mfd	2.2mfd~2.7mfd	
	100	.033mfd~.047mfd	.39mfd~1.0mfd	1.5mfd~2.2mfd
NCM 50	50	.01mfd~.1mfd	1.0mfd~4.7mfd	1.0mfd~4.7mfd
	100	.01mfd~.068mfd	.33mfd~2.2mfd	1.0mfd~2.2mfd

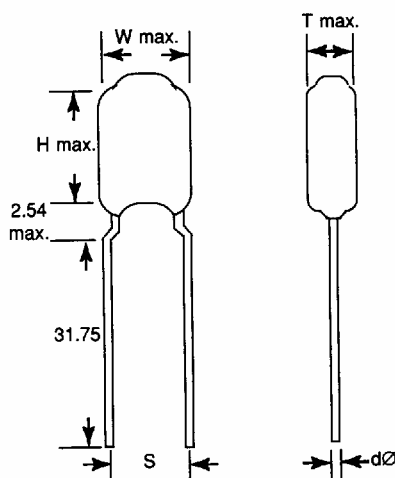
DIMENSIONS: mm

Size Code	W Width	H Height	T Thickness	S Lead Spacing	dØ Lead Diameter
NCM 15	3.81	3.81	2.54	2.54	0.5
NCM 20	5.08	5.08	3.18	2.54	0.5
NCM 21	5.08	5.08	3.18	5.08	0.5
NCM 30	7.62	7.62	3.81	5.08	0.5
NCM 40	10.15	10.15	3.81	5.08	0.5
NCM 50	12.70	12.70	5.08	10.16	0.63

NCM 15, 20, 30, 40, 50



NCM 21



PACKAGING

BULK

NCM 15, 20, 21	1000 pieces per bag
NCM 30, 40, 50	500 pieces per bag

TAPE AND REEL

NCM 15, 20, 21	LESS THAN, .1mfd 3500 pieces per reel 1.0mfd and above 3000 pieces per reel
NCM 30	2000 pieces per reel
NCM 40	2000 pieces per reel

*TAPE AND REEL SPECIFICATIONS SUPPLIED ON REQUEST

