

## Features and Benefits

128 x 1 Sensor-Element Organization (1 Not Connected, 1 dummy, 128 real, 1 dummy and 1 Dark Pixel)  
 385 Dots-Per-Inch (DPI) Sensor Pitch  
 High Linearity and Uniformity for 256 Gray-Scale (8-Bit) Applications  
 High Sensitivity: 1.7V @ 10 $\mu$ W/cm<sup>2</sup> @ 0.7ms integration time  
 Special Gain Compensation for use with single LED light source  
 Output Referenced to Ground  
 Low Image Lag  
 Single 5V Supply  
 Replacement for Texas Instruments TSL1301 & TSL1401 and MLX90255AA  
 Operation to 1MHz

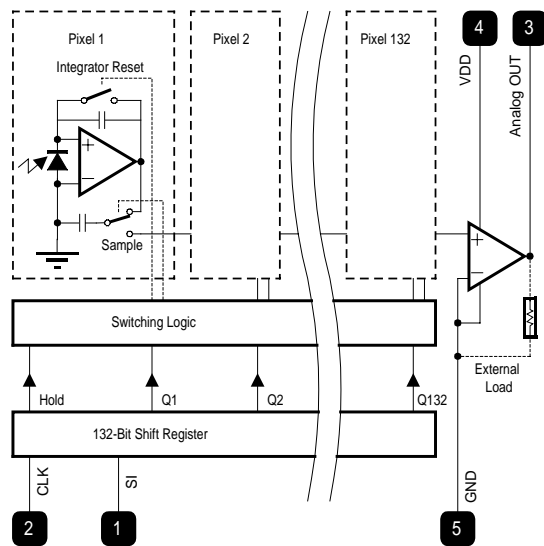
## Applications

Position Sensing  
 Electrical Power Assist Steering (EPAS)  
 Spectrometer Applications

## Ordering Information

Part No.	Temperature Suffix	Package	Option	Temperature Range
MLX90255	K	LA	-BA	-40°C to 125°C Automotive
MLX90255	K	JA	-BA	-40°C to 125°C Automotive

## Functional Diagram



## Description

The MLX90255BA linear sensor array consists of a 128 x 1 array of photodiodes, associated charge amplifier circuitry and a pixel data-hold function that provides simultaneous-integration start and stop times for all pixels. The pixels measure 200 $\mu$ m (H) by 66  $\mu$ m (W) and 8  $\mu$ m spacing between pixels. Operation is simplified by internal control logic that requires only a serial-input (SI) signal and a clock.

The sensor consists of 128 photodiodes arranged in a linear array. Light energy falling on a photodiode generates photocurrent, which is integrated by the active integration circuitry associated with that pixel. During the integration period, a sampling capacitor connects to the output of the integrator through an analog switch. The amount of charge accumulated at each pixel is directly proportional to the light intensity and the integration time. The output and reset of the integrators is controlled by a 132-bit shift register and reset logic. An output cycle is initiated by clocking in a logic 1 on SI. This causes all 132 sampling capacitors to be disconnected from their respective integrators and starts an integrator reset period.

*(continued on page 4)*

### MLX90255BA Electrical Specifications

DC Operating Parameters  $T_A = -40^{\circ}\text{C}$  to  $125^{\circ}\text{C}$ ,  $V_{DD} = 4.5\text{V}$  to  $5.5\text{V}$  (unless otherwise specified)

parameter	symbol	test conditions	Min	typ	max	units
Supply voltage	Vdd		4.5	5	5.5	V
Input voltage	Vi		0		Vdd	V
High-level input voltage	Vih		Vdd*0.7		Vdd	V
Low-level input voltage	Vil		0		Vdd*0.3	V
Hysteresis on SI and CLK			0.2	0.4	0.8	V
Wavelength of light source			400		1000	nm
Clock frequency	Fclock		64		1024	kHz
Sensor integration time below $60^{\circ}\text{C}$ (1)	Tint		0.125		100	ms
Sensor integration time (full temperature range) (2)	Tint		0.125		2	ms
Pixel charge transfer time (full temp range)	Tqt		8			$\mu\text{s}$
Setup time, serial input	Tsu(SI)		350			ns
Hold time, serial input (3)	Th(SI)		40			ns
Operating free-air temperature	Ta		-40		125	$^{\circ}\text{C}$
Clock pulse duration (high)	Tw(H)		320			ns
Clock pulse duration (low)	Tw(L)		320			ns

#### Notes:

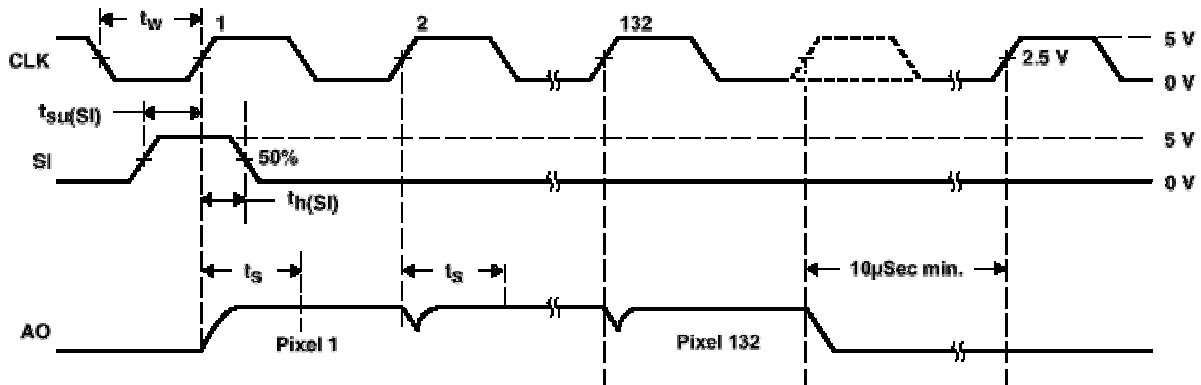
(1) Reset until clock pulse 18 (on declining flank).

Minimum integration time =  $(133-18) * \text{CLK period} + 10\mu\text{s}$  (this is the time the S&H cap needs to follow).

At 1MHz clock speed, the minimum integration time becomes 0.125ms.

(2) At  $125^{\circ}\text{C}$ , the integration time should be limited to 2ms.

(3) The SI pulse must go low before the rising edge of the next clock pulse.



### MLX90255BA Electrical specifications

All tests are made with 0.7ms integration time, at 10mW/cm<sup>2</sup> light = 100% at 25°C at 880nm and with a clock speed of 500kHz in, 250kHz out, and 500kHz, unless otherwise specified in the Test Conditions. 100 % light under Test Conditions means that the light is set in such a way that there is 2.4V at the output of the chip.

Parameter	Symbol	Test Conditions	Min	Typ	Max	Units
Illumination	Illum100	At 25°C, 2.4V at output	11.4	14	16	μW/cm <sup>2</sup>
Average analog output (1)	VaoLight	At 25°C, 100% light	1.5	1.7	2.1	V
Average analog output	Initial offset	At 25°C, 0% light	0	0.15	0.3	V
Average analog output	VaoDark	At 125°C, 0% light	0	0.40	1.4	V
Highest Dark Pixel	Vaodarkmax	At 125°C, 0.25ms integration time			0.8	V
Non Linearity	Nlao1	All Temp		±0.5%	±1.2%	FS
Pixel Response Non Uniformity (2)	PRNU	All Temp, 100% light		±4.0%	±8.5%	FS
Pixel Interaction Test (3)	PIT	AT 25°C		5%		FS
Noise Level (4)	Vn	All Temp		3	6	mV (RMS)
Hold spec, same as PRNU	PRNUH	All Temp, 100% light, 62.5kHz		±4.0%	±8.5%	FS
Output Settling Time	Ts	All Temp		450	750	ns
Array Lag (5)	Alag	At 25°C		0.5%		FS
Dark Signal Non Uniformity (6)	DSNU	At 25°C At 125°C		80 140	120 440	mV mV
Analog Output Saturation		All Temp			3.0	V
Change in sensitivity with Temperature at 880nm (7)			0	0.3	0.8	%/°C
Operating Free Temp			-40		125	°C
Supply Current (8)	Idd		2	5	8	mA

(0) After power on, the first integration scan is not guaranteed correct. This scan is needed for initializing digital levels on chip. After a SI and 133 proper CLK signals, the system is fully initialized and all further scans are valid. The next SI will provide a valid scan.

(1) Absolute Light measurements are very test-setup dependent and should be regarded with caution. Relative measurements are possible with ±1% accuracy.

(2) PRNU is defined as the worst case deviation of any PixelValue (pixel 3 till 130) to the average light value. PixelValue = (Vout of a pixel at 100% light – Vout of same pixel at 0% light) The 90255BA has a cosign shaped gain: external pixels have 15% more gain than middle pixels.

(3) PIT = (Vout of pixel 132 @ 10μW – Vout of pixel 132 @ 0μW) / (Vaverage @ 10μW – Vaverage @ 0μW)

(4) Noise: We compare 5 different measurements, normalize them and then take the RMS value.

(5) Array Lag is defined as: (Vaverage 0μW<sup>1</sup> Vaverage 0μW<sup>2</sup>) / ((Vaverage 10μW Vaverage 0μW<sup>2</sup>). Where 0μW<sup>1</sup> is a 0% light level, 1ms after a 100% light level. (there can still be some light effects). 0μW<sup>2</sup> is a 0% light level, 10ms after a 100% light level, which should be a true dark reference.

(6) DSNU is defined as: (max Vout of pixel i @ 0% light) - (min Vout of pixel j @ 0% light) for pixels 3 thru 130

(7) Sensitivity always increases with rising temperature.

(8) Idd is measured with Rload disconnected from the output pin.

## General Description

(continued from page 1)

As the SI pulse is clocked through the shift register, the charge stored on the sampling capacitors is sequentially connected to a charge-coupled output amplifier that generates a voltage on the analog output AO. Two dummy pixel values are shifted out first, then the 128 actual pixel bits, followed by two additional dummy pixel bits, for a total of 132 data bits. Although there are only 132 pixels, 133 clock pulses are necessary for a complete shift out. The final pulse is used to re-initialize the shift register.

The integrator reset period ends 18 clock cycles after the SI pulse is clocked in. So the light-integration starts after the 18<sup>th</sup> CLK pulse. The light-integration ends at the next SI pulse. Between the end of the 133<sup>th</sup> clock pulse and the next SI pulse, a minimum time of 10 $\mu$ s is necessary for an effective S&H function. So the minimum integration time of the MLX90255BA is  $(133 - 18) * T_s + 10\mu s$  and thus dependent on clock speed. ( $T_s$  = clock period) After the 132 data bits are clocked out, the output becomes high impedance. (see figure) The AO is driven by a source follower that requires an external pulldown resistor. (typically 330 $\Omega$ ) The output is nominally 125mV for no light input and 2.4V for a nominal full-scale output. The pixel gain is 15% bigger at the edges than in the middle (cosine correction) in order to get a flat output when illuminating the device with a single LED light source.

The MLX90255BA is intended for use in a wide variety of applications, including: image scanning, mark and code reading, optical character recognition (OCR) and contact imaging, edge detection and positioning, and optical linear and rotary encoding. The MLX90255BA is a replacement for the Texas Instruments' TSL1301 and TSL1401 parts.

## Absolute Maximum Ratings

Supply Voltage, Vdd	+7V
Digital Input Current Range	-20 to 20 mA
Operating Free-Air temperature range, Ta	-40°C to 125°C (automotive compliant optical package)
Storage temperature range, Tstg	-40°C to 125°C
Lead Temperature 1.6mm (1/16 inch) from case for 10 seconds	260°C

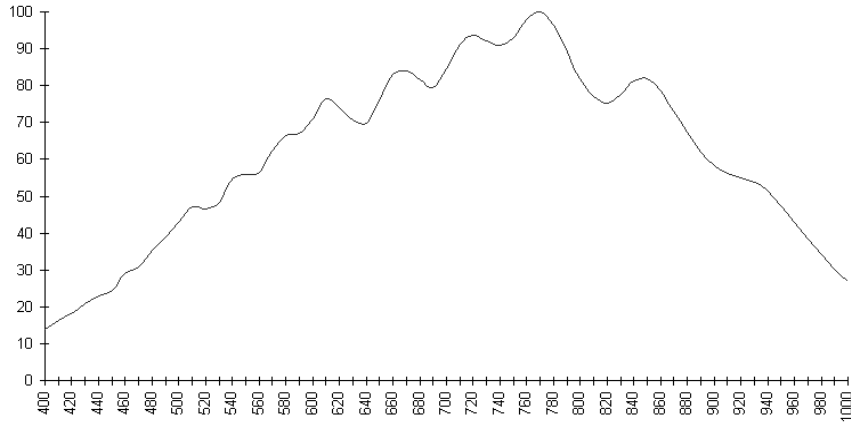
Stresses beyond those listed under "absolute maximum ratings" may cause permanent damage to the device.

These are stress ratings only, and functional operation of the device at these or any other conditions beyond those indicated under "recommended operating conditions" is not implied.

Exposure to absolute-maximum -rated conditions for extended periods may affect device reliability.

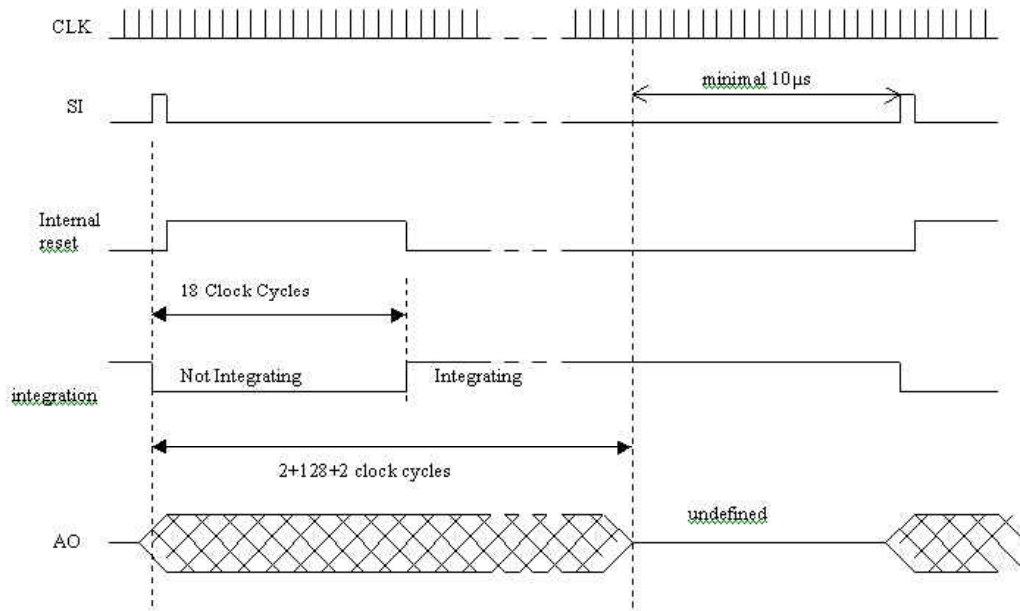
Performance Graphs

Typical Photodiode Spectral Response Curve (%), without Anti Reflection Coating\*



\*There is also an option for an **Anti Reflection Coating**. This will remove the interference ripples in the figure above. With this special Anti Reflection Coating, the sensitivity curve in function of wavelength will be somewhat lower (typically 4%) but will no longer display interference ripples.

MLX90255 Timing Diagram

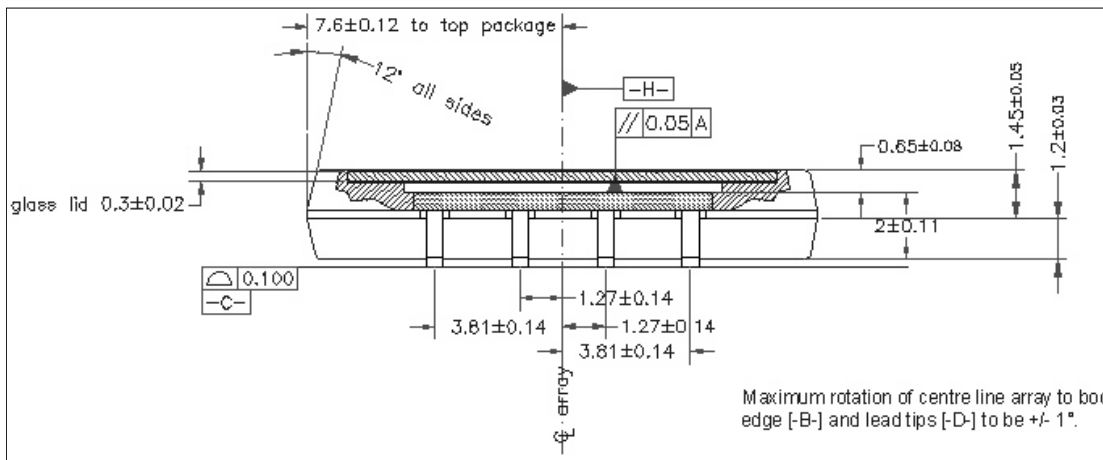
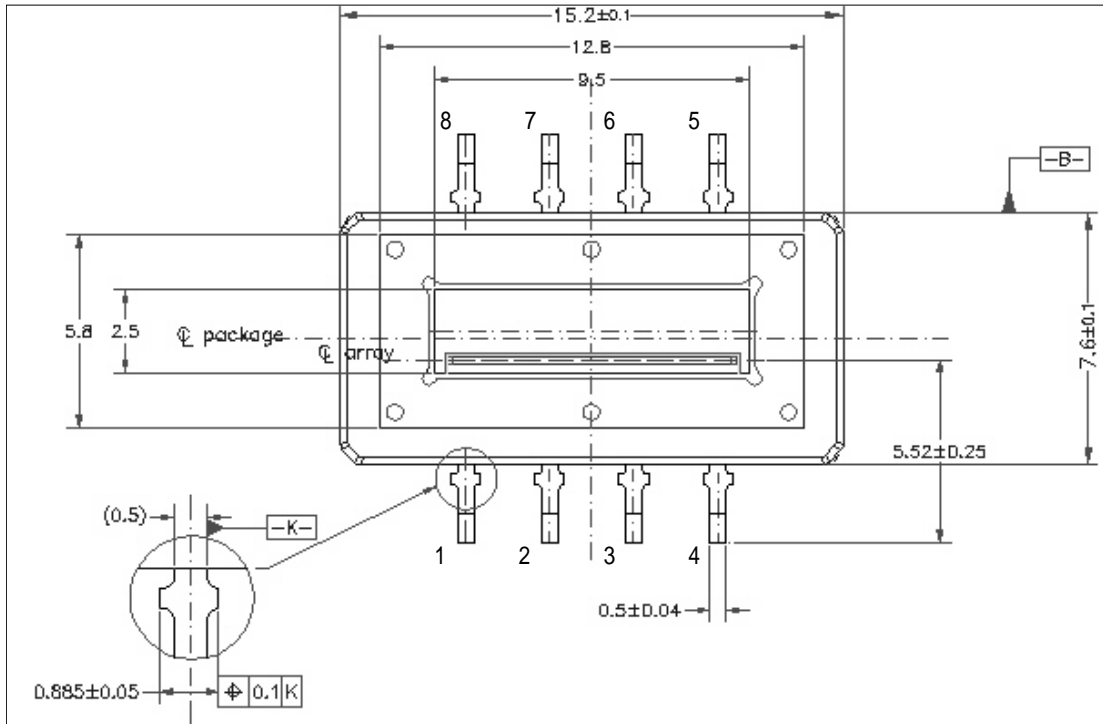




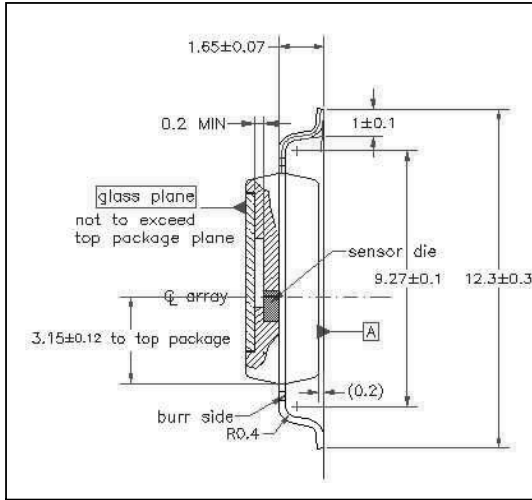
**Disclaimer**

Melexis reserves the right to periodically make modifications to product specifications. The information included herein is believed to be accurate and reliable. However, Melexis assumes no responsibility for its use; nor for any infringements of patents or other rights of third parties which may result from its use.  
Melexis

**MLX90255BA (SMD8) LA package dimensions**



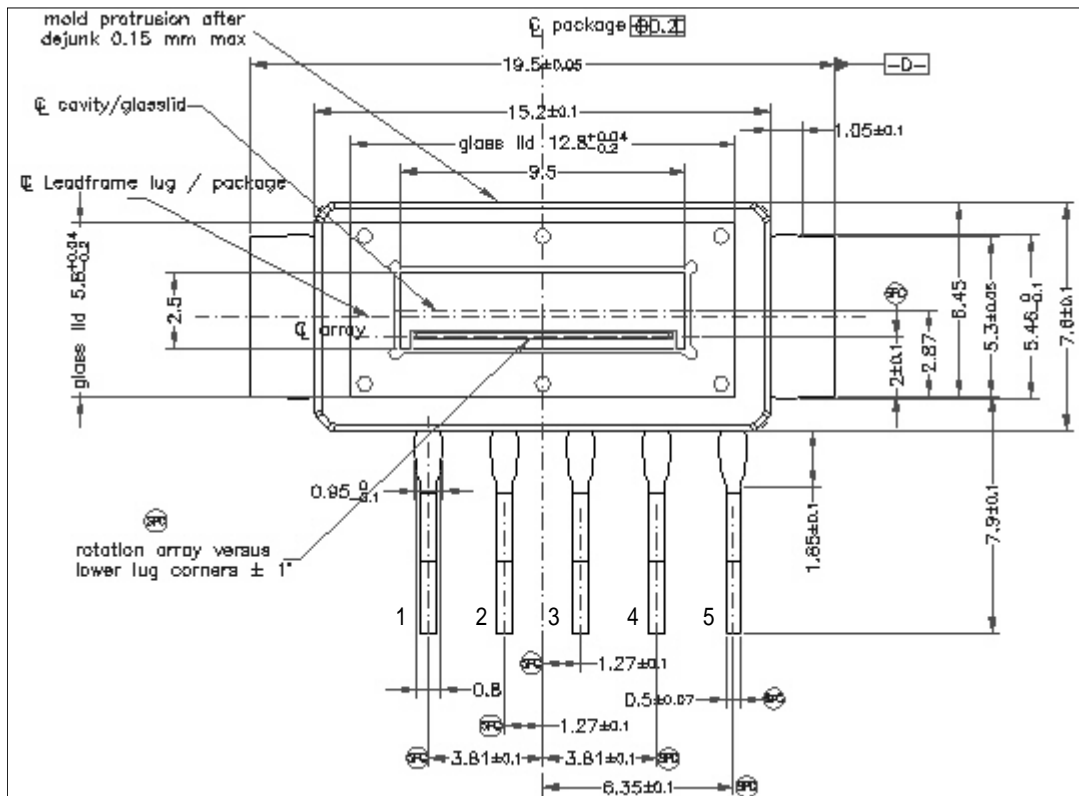
### LA (SMD8) Pin Description



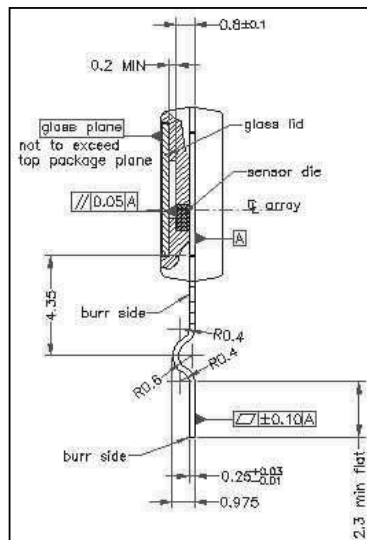
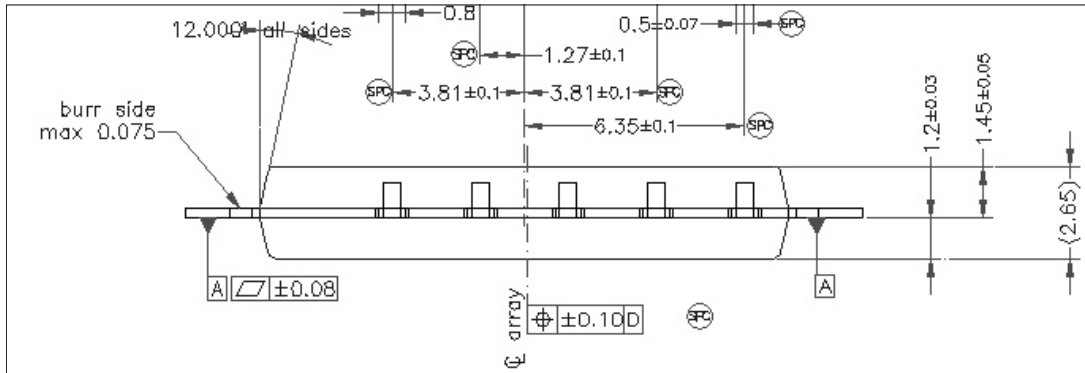
Pin	Symbol	Description
1	SI	Serial Input. Si defines the start of the data-out sequence
2	CLK	Clock. CLK controls the charge transfer, pixel output and reset (together with SI)
3	A0	Analog Output
4	Vdd	Supply voltage, for both analog and digital circuits
5, 6, 7, 8	Vss	Ground (substrate). All Vss Pins are referenced to the substrate.

Note: All 4 Vss pins are internally connected to form a large ground plane to get better EMC characteristics.

### MLX90255BA (GLP5) JA package dimensions



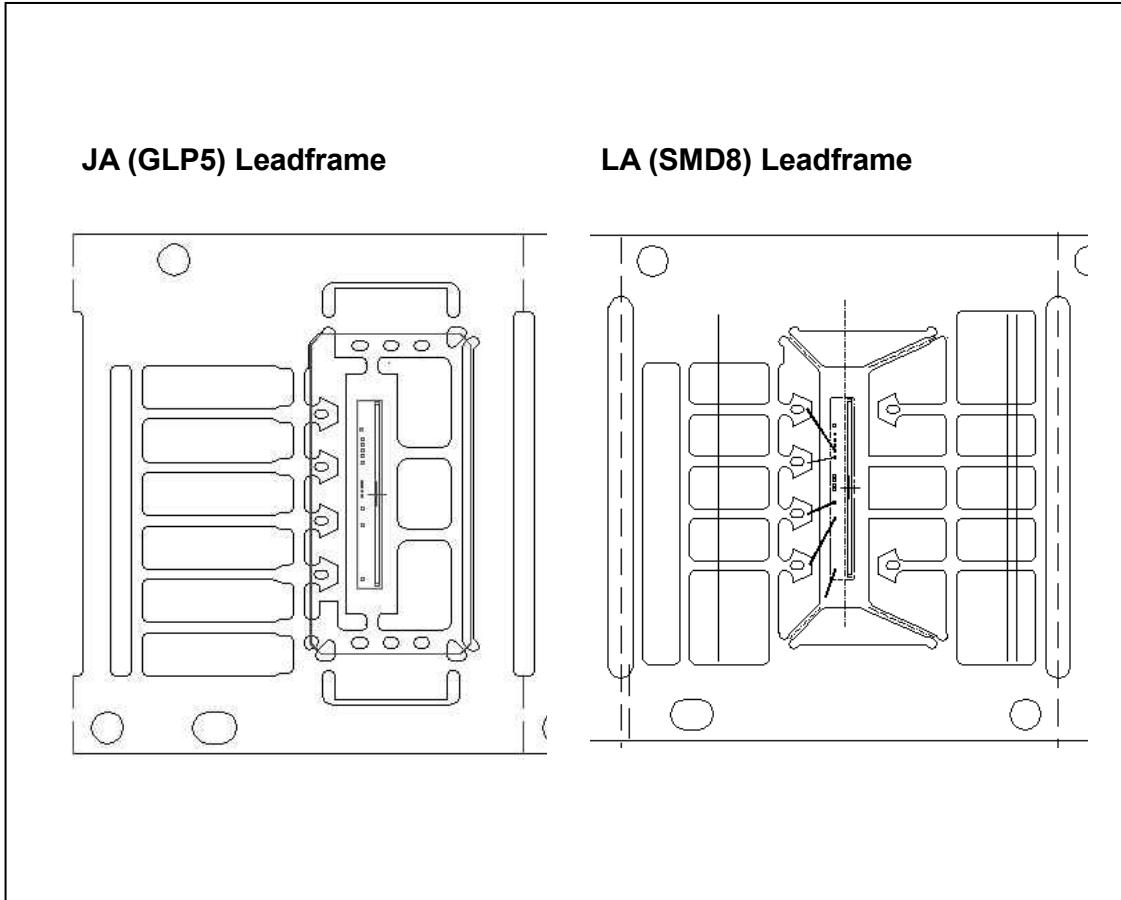




### JA (GLP5) Pin Description

Pin	Symbol	Description
1	SI	Serial Input. Si defines the start of the data-out sequence
2	CLK	Clock. CLK controls the charge transfer, pixel output and reset (together with SI)
3	A0	Analog Output
4	Vdd	Supply voltage, for both analog and digital circuits
5	Vss	Ground (substrate). All Vss Pins are referenced to the substrate.

**MLX90255BA Leadframes**



For the latest version of this document, go to our website at:

**[www.melexis.com](http://www.melexis.com)**

Or for additional information contact Melexis Direct:

**Europe and Japan:**

Phone: +32 13 61 16 31  
E-mail: [sales\\_europe@melexis.com](mailto:sales_europe@melexis.com)

**All other locations:**

Phone: +1 603 223 2362  
E-mail: [sales\\_usa@melexis.com](mailto:sales_usa@melexis.com)

QS9000, VDA6.1 and ISO14001 Certified