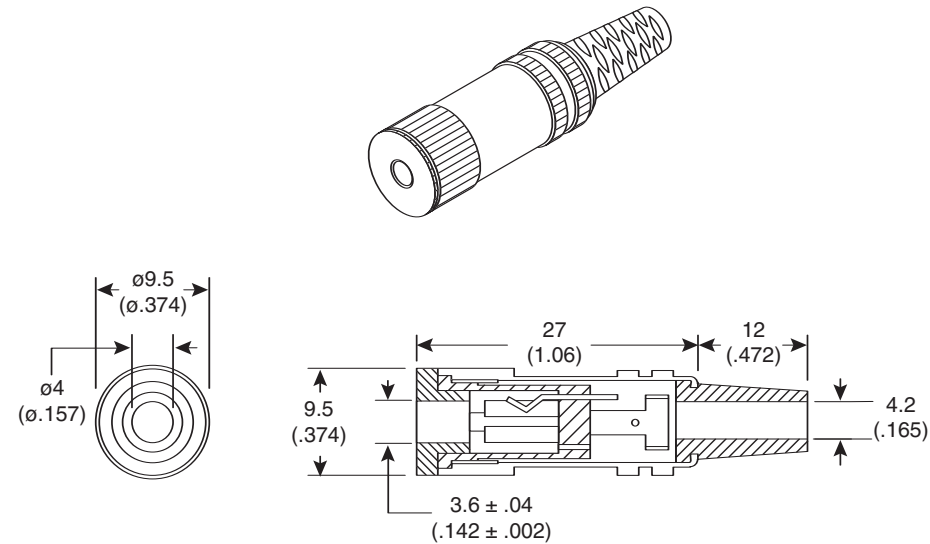


Jack

161-3200

KOBI CONN

Jack



Dimensions: mm (In.)

SPECIFICATIONS	
Type:	mono, hi-rel, in-line jack
Handle:	shielded with black strain relief
Contact resistance:	50m Ω max.
Insulation resistance:	100M Ω min. @ 500VDC
Dielectric strength:	500VAC for 1 minute
Body & cap:	nickel plated brass
Insulator:	polyphenyleneoxide
Contact:	nickel plated phosphor bronze
Terminal:	nickel plated steel
Protector:	polyvinylchloride

Date Last Revised: 4-5-05

Available from Mouser Electronics
1-800-346-6873
www.mouser.com

KC-300424

161-3200