

SERIES EL513 ECL (10K COMPATIBLE) SINGLE OUTPUT LOGIC DELAY MODULES

- 16 Pin DIP Package • ECL Input and Output Levels
- Delays Stable and Precise • 70 ECL DC Fan-out Capacity

Specifications

- Supply Voltage : -5.2VDC to Vee
- Logic 1 Input Voltage : -0.98v Min
- Logic 1 Input Current : 265µA Max
- Logic 0 Input Voltage : -1.63v Max
- Logic 0 Input Current : 0.5µA Min
- Logic 1 Voltage Out : -0.96v Min
- Logic 0 Voltage Out : -1.65v Max
- Storage Temp Range : -55°C to +125°C
- Operating Temp Range : -30°C to +85°C



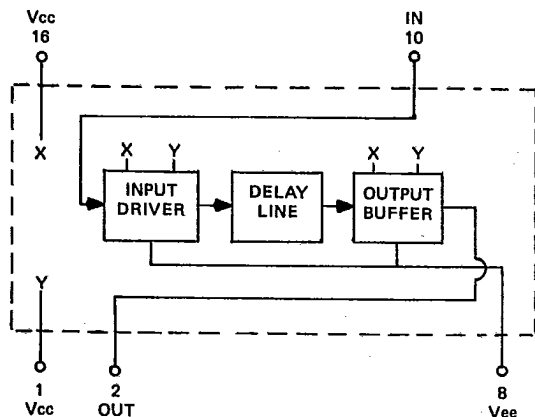
Test Conditions

- Input Pulse-Width : 3 X Total Delay
- Input Pulse Rise Time : 2NSEC Max
- Input Pulse Voltage : 1v (-0.75vH to -1.75vL)
- Vee Supply Voltage : -5.2VDC
- Vee Supply Current : 40mA Typ.

Electrical Specifications at 25°C

Part Number	Output NS (1)	Rise Time NS Max (2)	Part Number	Output NS (1)	Rise Time NS Max (2)	Part Number	Output NS (1)	Rise Time NS Max (2)
EL513-2	2±0.3	3	EL513-21	21±1	3	EL513-100	100±3	5
EL513-3	3±0.4	3	EL513-22	22±1	3	EL513-125	125±4	5
EL513-4	4±0.5	3	EL513-23	23±1	3	EL513-150	150±4.5	5
EL513-5	5±1	3	EL513-24	24±1	3	EL513-175	175±5	5
EL513-6	6±1	3	EL513-25	25±1	3	EL513-200	200±6	7
EL513-7	7±1	3	EL513-30	30±1.5	3	EL513-225	225±7	7
EL513-8	8±1	3	EL513-35	35±1.5	3	EL513-250	250±8	8
EL513-9	9±1	3	EL513-40	40±1.5	3	EL513-275	275±9	8
EL513-10	10±1	3	EL513-45	45±2	3	EL513-300	300±10	12
EL513-11	11±1	3	EL513-50	50±2	4	EL513-350	350±11	12
EL513-12	12±1	3	EL513-55	55±2	4	EL513-400	400±12	14
EL513-13	13±1	3	EL513-60	60±2	4	EL513-450	450±14	14
EL513-14	14±1	3	EL513-65	65±2.5	4	EL513-500	500±15	16
EL513-15	15±1	3	EL513-70	70±2.5	4	EL513-600	600±18	20
EL513-16	16±1	3	EL513-75	75±2.5	4	EL513-700	700±20	25
EL513-17	17±1	3	EL513-80	80±2.5	4	EL513-800	800±22	30
EL513-18	18±1	3	EL513-85	85±3	4	EL513-900	900±24	35
EL513-19	19±1	3	EL513-90	90±3	4	EL513-1000	1000±26	40
EL513-20	20±1	3	EL513-95	95±3	4			

Note: (1) Measured at -1.3v level leading edge.
 (2) Measured from 20% to 80% Pulse Amplitude
 (3) Outputs terminated through 270 ohms to -5.2VDC.



SCHEMATIC

