

Typical Applications

SDH/SONET
ATM
WLL
Measurement Equipment

Features

Meets **Stratum III** Overall Stability
Very Low Aging
Standard Surface Mount Package



Frequency

12.800 MHz

Frequency stabilities

Parameter	Frequency stability	Operating temp range
vs. operating temperature range	< ± 370 ppb	0 ... +70°C
Parameter	Value	Condition
Initial tolerance	< ± 1 ppm	@ 25°C
vs. supply voltage	< ± 0.1 ppm	static
vs. load change	< ± 0.1 ppm	static
vs. aging / 1 st . year	< ± 500 ppb	
vs. aging / 20 year	< ± 3 ppm	
Over all stability	< ± 4.6 ppm	
Meets Stratum III requirement		

RF output

Parameter	Value	Condition
Signal	HCMOS	Note 1
Load	15 pF ± 5 %	
Rise and Fall time	< 5 ns	@ 15pF & 10 to 90%
Duty cycle	40/60 %	@ Vs/2

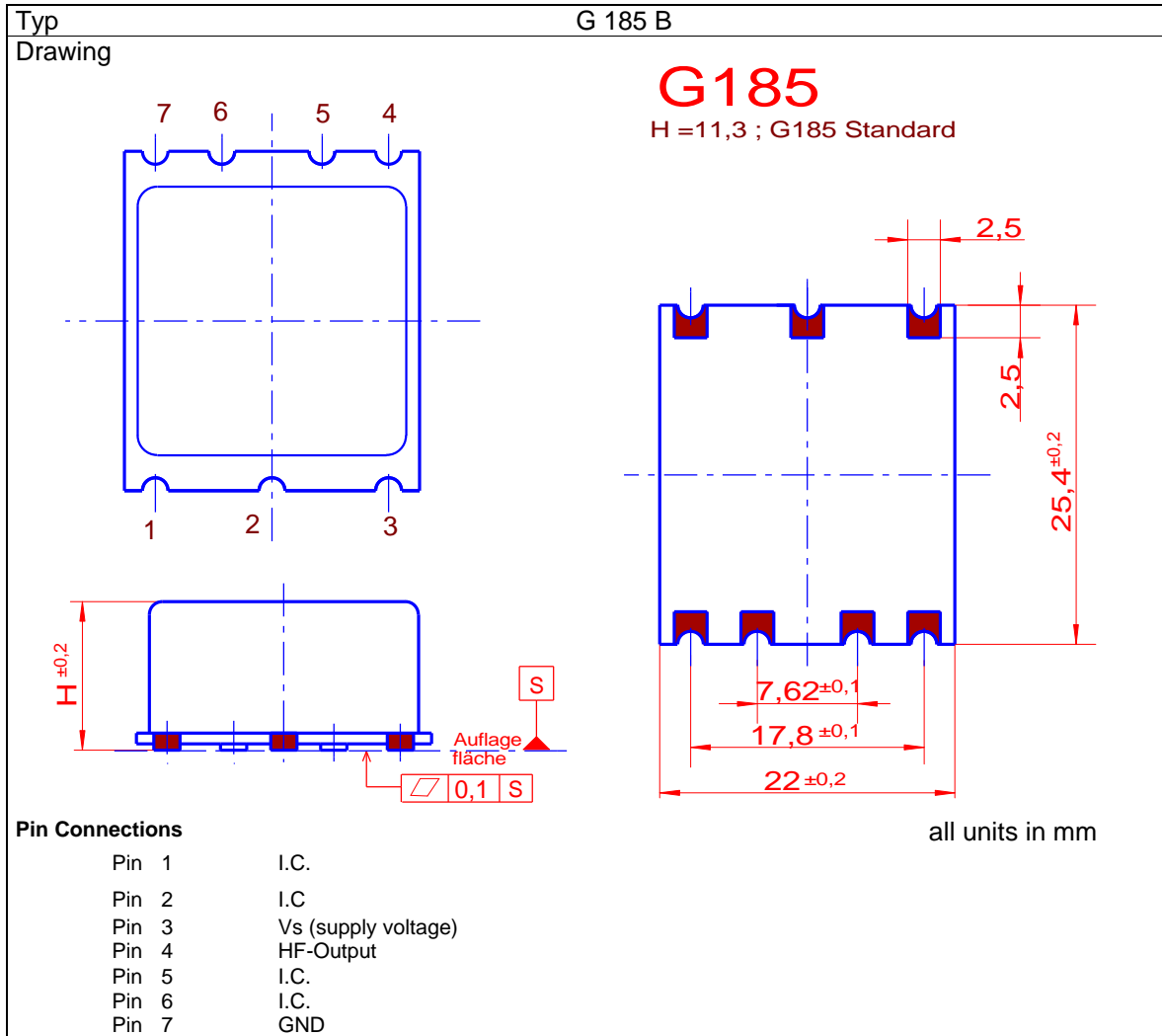
Supply voltage

Parameter	Value	Condition
Supply voltage (V _S)	3.3 V ± 5 %	
Input current	< 10 mA	@ 25°C

Additional parameters

Parameter	Value	Condition
Phase Noise	-60 dBc/Hz	1 Hz
	-90 dBc/Hz	10 Hz
	-120 dBc/Hz	100 Hz
	-140 dBc/Hz	1 kHz
	-145 dBc/Hz	10 kHz
	-150 dBc/Hz	100 kHz
Weight	< 9 g	
Operable temperature range	-20 ... +70°C	
Storage temperature range	-40 ... +90°C	
Processing & Packing	handling&processing note	

Enclosure



Ordering Code	Model	Frequency
Example:	STO200-02..	12M8000
Order:	STO200-02	

Note

- 1 can drive TTL, ACMOS and CMOS
- 2 Typical values @ 12.80 MHz

Unless otherwise stated all values are valid after warm-up time and refer to typical conditions for supply voltage, frequency control voltage, load, temperature (25°C)
Subject to technical modification; Not all options and codes are available at all Frequencies