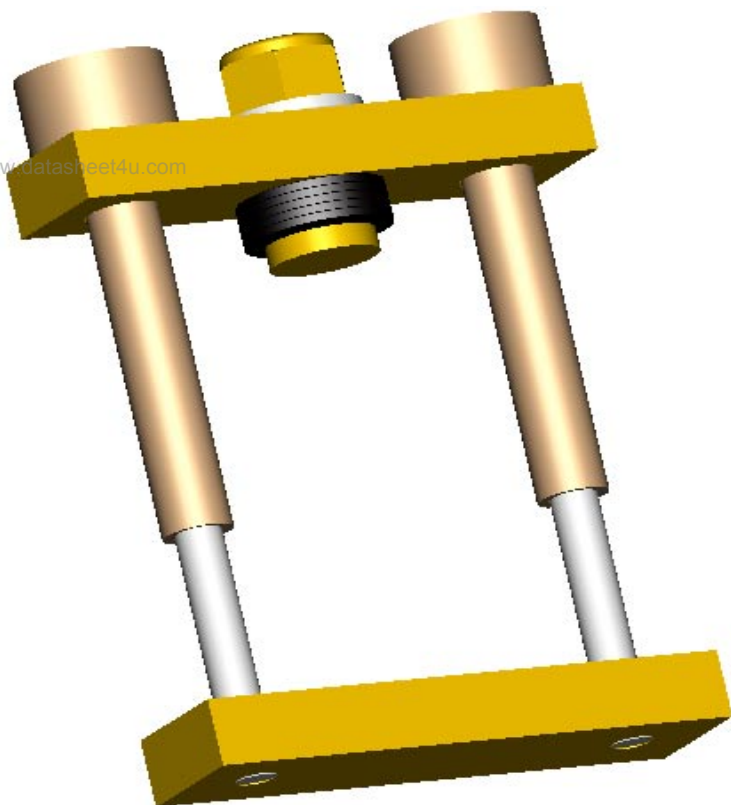


www.datasheet4u.com



GC70...F

BAR CLAMP FOR HOCKEY PUK DEVICES

Clamping total thickness of assembly from 44mm to 135mm

Pre-loaded to the specific clamping force (5 ÷ 12 kN)

Maximum device diameter: 57mm

Surface passivation to provide extra protection

Hexagon head bolt partially

threaded M8x1.25, UNI5737, 8.8 steel

Various lengths of bolts and insulators

Flat clamping head for optimal clamping force application

Four styles available

User friendly clamping force indicator

UL94 certified insulation material

Parameter	Unit	Types	Testing conditions	Notes	Values		
					Min	Typ	Max
Weight	g	GC70S...F			340		460
		GC70B...F			430		570
Clamping Force*	kN	GC70...05F				05	
		GC70...08F				08	
		GC70...10F				10	
		GC70...12F				12	
Clamping Force tolerance					± 10%		
Insulation Voltage	V _{RMS}		1 min			3000	
Insulating Material				Noryl ® **			
UL File				E121562			
Max. working temperature	°C				-30		110
Creepage distance:	mm					28	
Clearance distance:	mm					20.3	
Storage temperature	°C				-40		110
Flammability	mm			UL94 V-1 Flame class rating		1.5	
	mm			UL94 V-0 Flame class rating		8.00	
	mm			CSA Flammability		1.00	

* Other clamping forces available: contact factory

** Noryl ® is a registered trade mark of General Electric

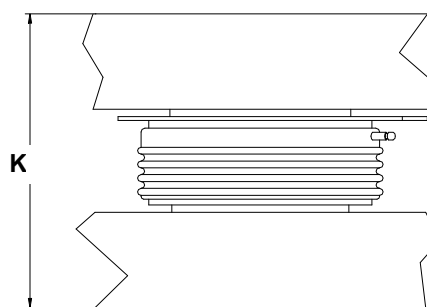


ORDERING INFORMATION TABLE

Clamps can be ordered using the following part numbering system

GC70	B	N	B	A	10	F	S
(1)	(2)	(3)	(4)	(5)	(6)		

(1) Construction type:	B = with double bar
	S = with single bar
(2) Insulator position:	N = upper side
	R = lower side
(3) Insulator code:	see table below
(4) Bolt code:	see table below
(5) Clamping force (in kN):	05
	08
	10
	12
(6) Special accessories	blank = no accessories
	S = extra bar spacer



K: Total thickness of the assembly to be clamped

 For thicknesses $S'_{Min} < K < S_{Min}$ an additional 4mm thick bar spacer is needed (see list of special accessories)

Type GC70BN...F: suggested insulator/bolt types

Allowed clearance S			Insulator choice		Bolt choice		Max height
S'_{Min} [mm]**	S_{Min} [mm]	S_{Max} [mm]	(3)	Ins. Length [mm]	(4)	Bolt Length [mm]	T [mm]
44	48	63	A	50	Z	100	110
54	58	73	B	70	A	110	120
64	68	83	B	70	B	120	130
74	78	93	C	95	C	130	140
84	88	103	C	95	D	140	150
94	98	113	C	95	E	150	160
104	108	123	D	120	F	160	170

** with additional bar spacer only

Type GC70BR...F: suggested insulator/bolt types

Allowed clearance S			Insulator choice		Bolt choice		Max height
S'_{Min} [mm]**	S_{Min} [mm]	S_{Max} [mm]	(3)	Ins. Length [mm]	(4)	Bolt Length [mm]	T [mm]
44	48	63	A	50	Z	100	123
54	58	73	A	50	A	110	133
64	68	83	B	70	B	120	143
74	78	93	B	70	C	130	153
84	88	103	C	95	D	140	163
94	98	113	C	95	E	150	173
104	108	123	C	95	F	160	183

** with additional bar spacer only

Type GC70SN...F: suggested insulator/bolt types

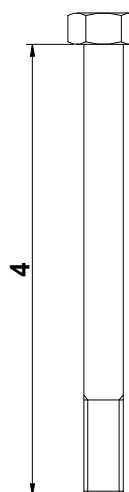
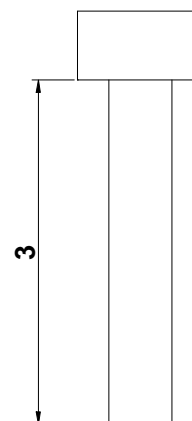
Allowed clearance S			Insulator choice		Bolt choice		Max height
S'_{Min} [mm]**	S_{Min} [mm]	S_{Max} [mm]	(3)	Ins. Length [mm]	(4)	Bolt Length [mm]	T [mm]
44	48	63	A	50	Z	100	110
54	58	73	B	70	A	110	120
64	68	83	B	70	B	120	130
74	78	93	C	95	C	130	140
84	88	103	C	95	D	140	150
94	98	113	C	95	E	150	160
104	108	123	D	120	F	160	170

** with additional bar spacer only

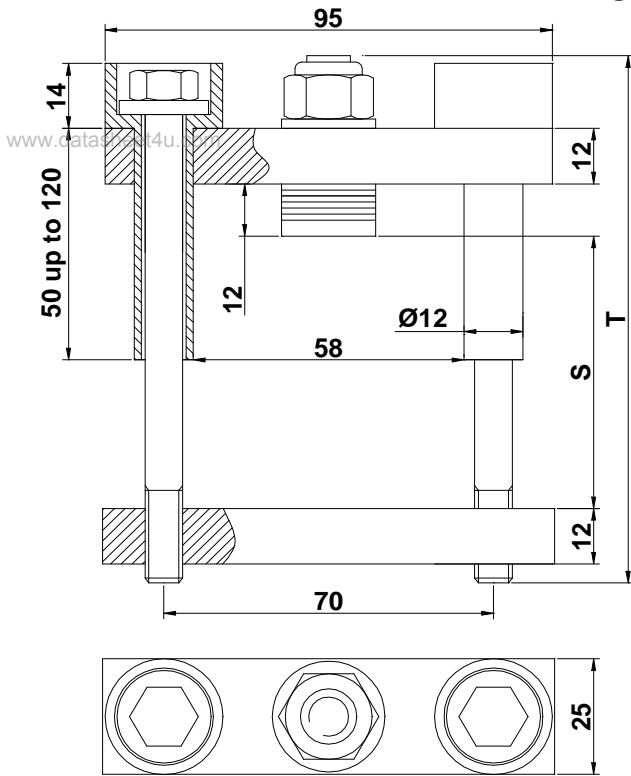
Type GC70SR...F: suggested insulator/bolt types

Allowed clearance S			Insulator choice		Bolt choice		Max height
S'_{Min} [mm]**	S_{Min} [mm]	S_{Max} [mm]	(3)	Ins. Length [mm]	(4)	Bolt Length [mm]	T [mm]
56	60	75	B	70	Z	100	123
66	70	85	B	70	A	110	133
76	80	95	B	70	B	120	143
86	90	105	C	95	C	130	153
96	100	115	C	95	D	140	163
106	110	125	D	120	E	150	173
116	120	135	D	120	F	160	183

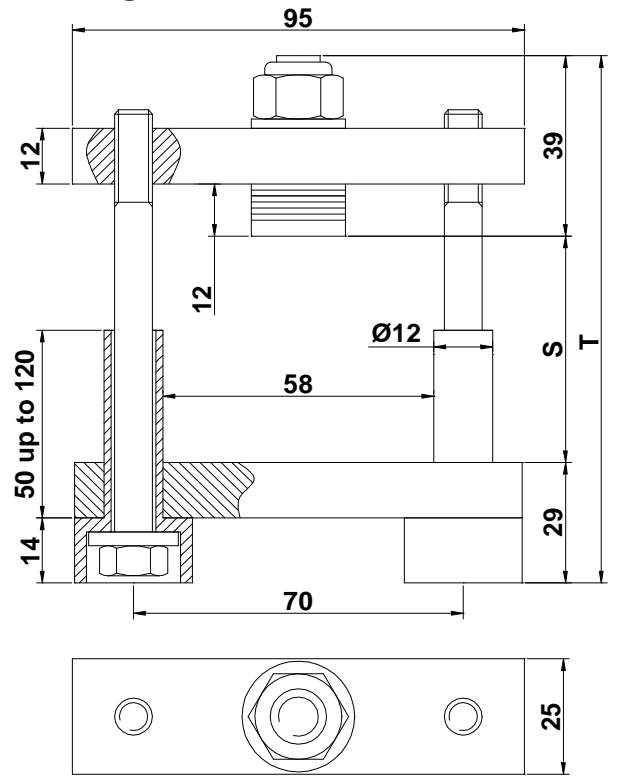
** with additional bar spacer only



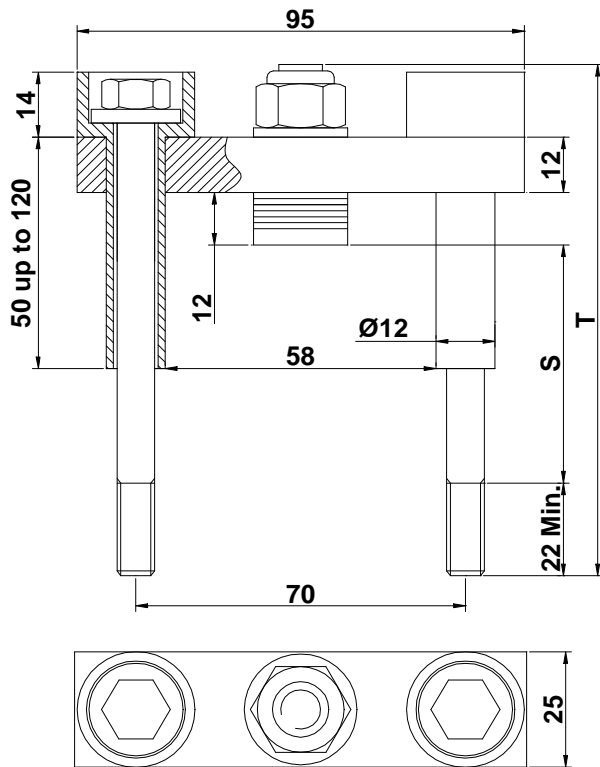
BAR CLAMP OUTLINES



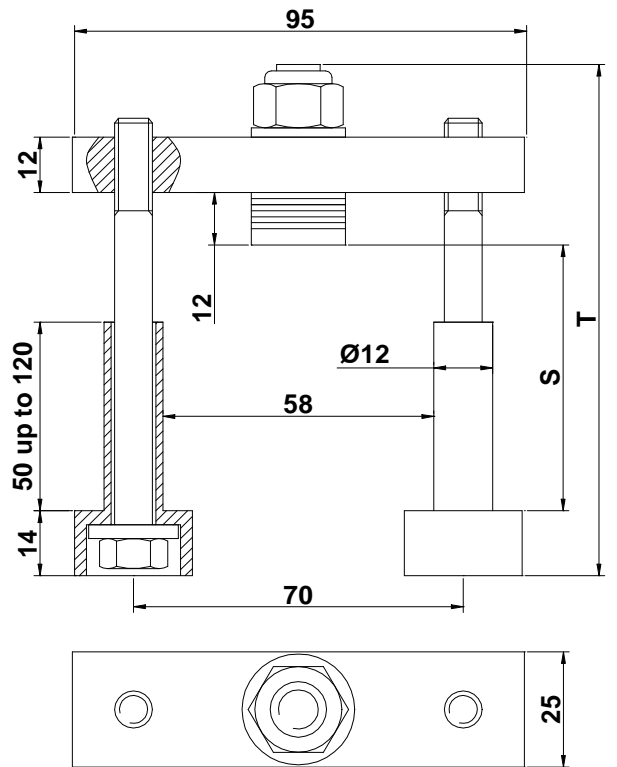
GC70BN...F



GC70BR...F

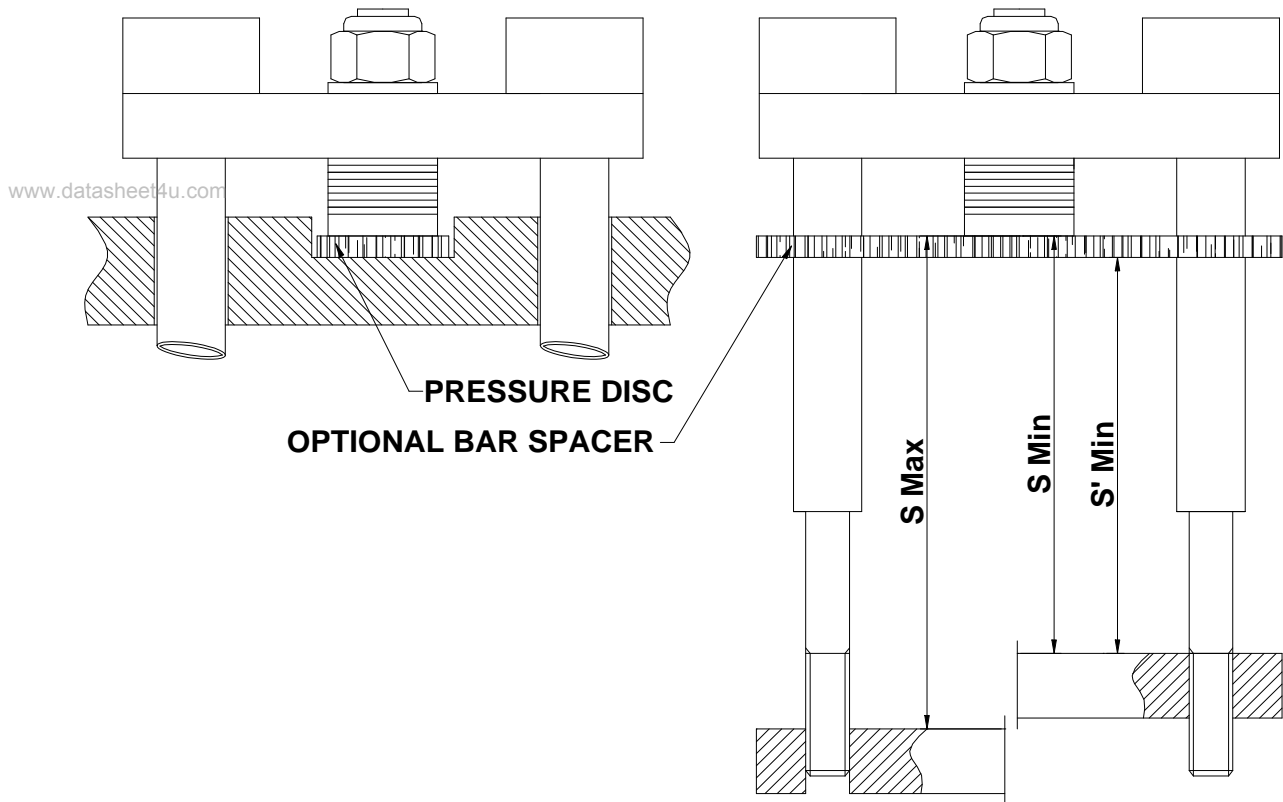


GC70SN...F



GC70SR...F

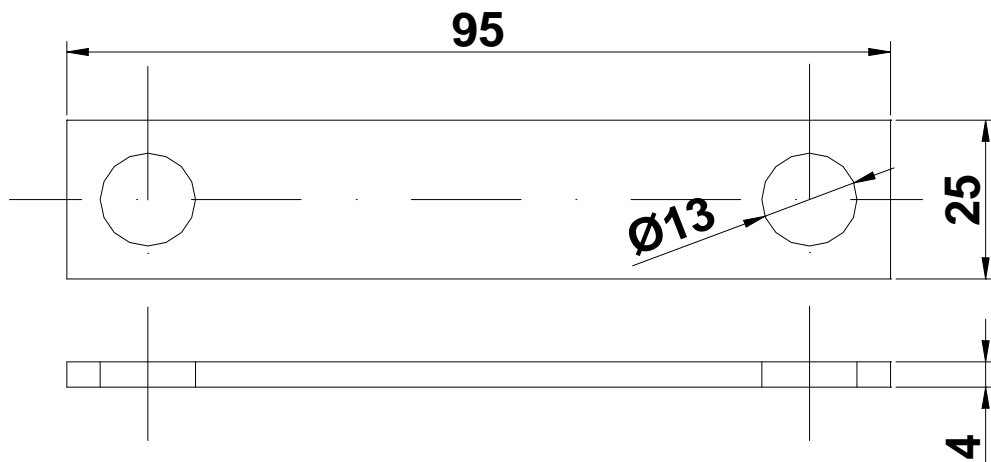
Dimensions in mm - Tolerances according to ISO 2768 MK



SPECIAL ACCESSORIES

The following special accessories are available on request (see ordering information table)

Bar spacer



Dimensions in mm - Tolerances according to ISO 2768 MK

In the interest of product improvement Green Power Solutions reserves the right to change any specification given in this data sheet without notice.