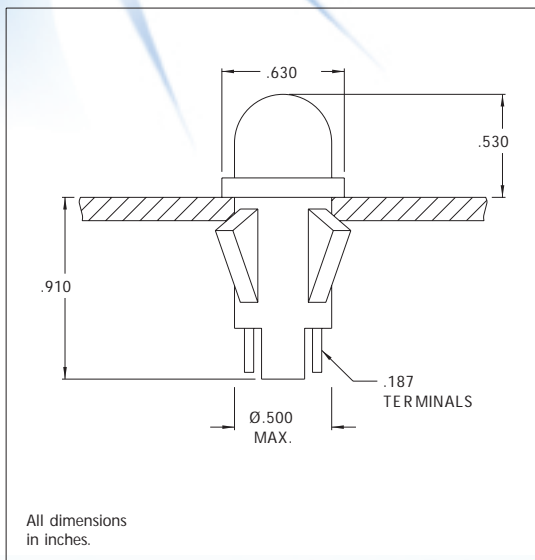


WORLDWIDE



1050QA, 1051QA, 1052QA and 1053QA Series Non-Relampable Neon Indicator Lights
DESCRIPTION AND FEATURES



Mounting: Will snap-fit into Ø.500/.505 hole in panels .020/.100 thick. Push-on speednut SN0461 also available.
 Mounting hole pattern on page SP2.

Terminals: Quick-connect, tinned brass

Lens: Polycarbonate

Bezel: Polished stainless steel.
 For black finish add "X" after the series letter(s).

Housing: White Nylon

Lens Color	Incandescent	
	Model No. (105-125VAC)	Model No. (208-250V)
Red	1050QA1	1051QA1
Clear	1050QA2	-
Amber	1050QA3	1051QA3
White	1050QA4	1051QA4
Green	1052QA5*	1053QA5*
Blue	1052QA6**	1053QA6**
Lamp used	C 2A+R esistor	
Quick Connect Terminals		

* Incorporates G2B lamp and resistor.
 ** Incorporates T2B lamp and resistor.
 Underwriters Laboratories (UL) File No. E20325
 Canadian Standards Association (CSA) File No. LR13346

1050QA, 1051QA, 1052QA and 1053QA Series Non-Relampable Neon Indicator Lights



America:
 CML Innovative Technologies, Inc.
 147 Central Avenue
 Hackensack, NJ 07601 -USA
 Tel: 1-201-489-8989
 Fax: 1-201-489-6911
 e-mail: americas@cml-it.com

Europe:
 CML Technologies GmbH & Co. KG
 Robert-Bunsen-Str. 1
 67098 Bad Dürkheim - GERMANY
 Tel: +49 (0)6322 9567-0
 Fax: +49 (0)6322 9567-88
 e-mail: europe@cml-it.com

Asia:
 CML Innovative Technologies, Inc.
 61 Aida Street
 Singapore 459975
 Tel: (65)9630-5003
 e-mail: asia@cml-it.com