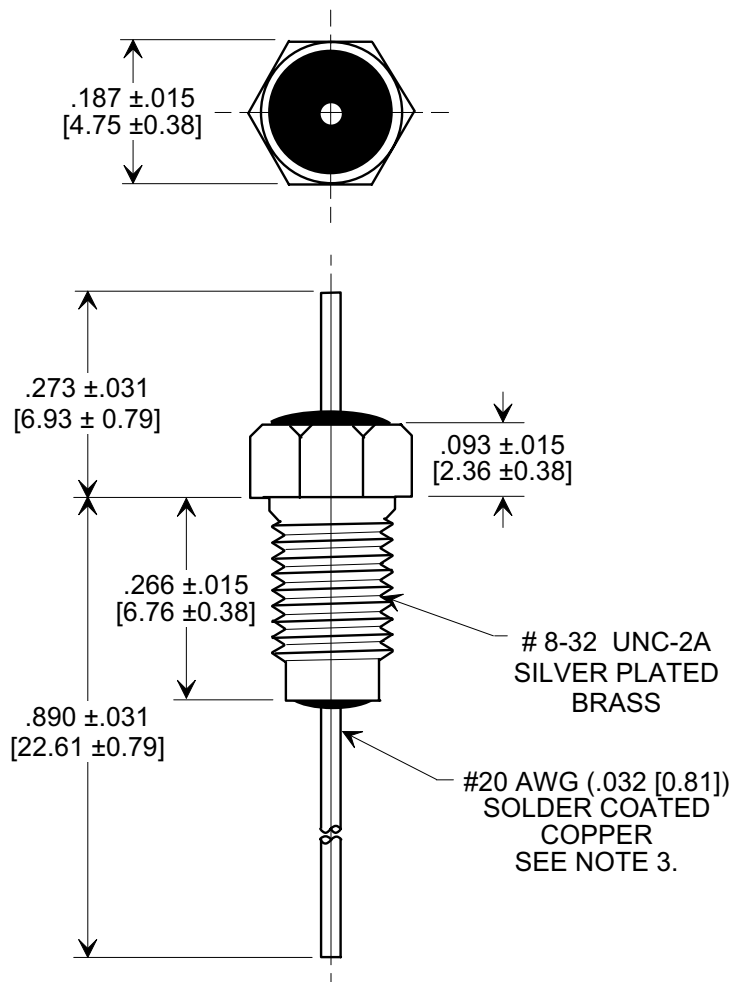
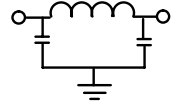
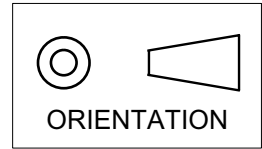


**MARKETING SALES DRAWING**

**DIMENSIONS IN INCHES - DO NOT SCALE THIS DRAWING**  
**DIMENSIONS IN METRIC - [ ]**

Electrical Testing  
 per Tusonix standard  
 test plans and Mil-Std-202  
 Test Methods.



**NOTES:**

- SUPPLIED WITH SILVER PLATED HEX NUT AND LOCK WASHER.
- TUSONIX STANDARD PART NUMBER: 4201-098.  
 TUSONIX RoHS COMPLIANT PART NUMBER: 4201-098 LF.  
 CUSTOMER MUST SPECIFY STANDARD OR RoHS PART NUMBER WHEN ORDERING.
- LEAD FINISH: STANDARD PART #: 60/40 Sn/40 Pb. RoHS PART #: 95.5 Sn/3.8 Ag/0.7 Cu.
- PART MARKING: TRADEMARK AND VARIATION NUMBER ON HEX FLATS.  
 STANDARD PART: BLACK INK. RoHS PART: GREEN INK.

MIN. CAP. (pF)	WORKING VOLTAGE (VVdc)		CURRENT (Adc)	I.R. MIN. @ 100 (VDC.)	DWV (VDC)	MINIMUM NO LOAD INSERTION LOSS (dB) AT 25°C PER MIL-STD -220			
	85°C	125 °C				10 MHz	100 MHz	1 GHz	10 GHz
5,500	200	100	10	10 G	400	14	55	70	70

X-2015 Rev-0 REVISION RECORD Original Release C.O. 20040205-1-04 ADDED NOTES: S.M. 08-01-05 20050726-2-50	0	1	--TOLERANCES-- Unless Otherwise Specified		Title <b>BUSHING MOUNT PI TYPE EMI FILTER</b>	
	DECIMAL ± //		Drawn L.E. 02-06-04		Scale 4 X	
	ANGLES ± //		Approved T.C. 02-06-04			
	<b>TUSONIX</b> TUCSON, ARIZONA		<b>A</b>	<b>4201-098</b>		