

## 3.5" Compact Floppy Disk Drive D359M3D, D353M3D 1 Inch Height Type

Floppy Disk Drives

### OUTLINE

These are 3.5-inch standard model FDDs. This one-inch height FDD satisfies the error rate and reliability demanded for computers, and it is characterized with a very low cost based on MITSUMI's through research design.



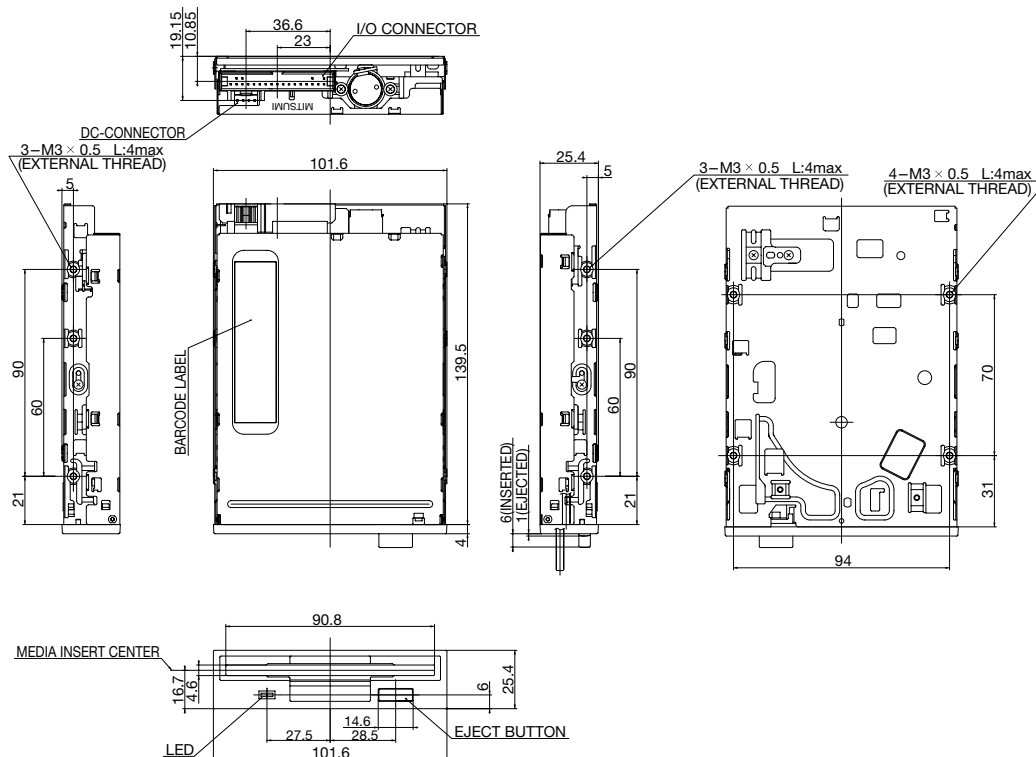
### FEATURES

1. Newly developed motors with enhanced reliability coming with newly developed head.
2. Electromagnetic field noise-resistant structural design.
3. Excellent noise resistance owing to the mounting of magnetic heads having the latest structure.
4. We meet the requirements of our customer's specifications.

## SPECIFICATIONS

Item		Unit	D359M3D		D353M3D		
			1M Mode	2M Mode	1M Mode	1.6M Mode	2M Mode
Capacity	Unformatted	M bytes	1	2	1	1.6	2
	Formatted (Sector/Track)	K bytes	737.28 (9)	1,474.56 (18)	737.28 (9)	1,182.72 (15)	1,474.56 (18)
Data Transfer Rate		K bit/sec.	250	500	250	500	500
Innermost Recording Density (Side1)		bpi	8,717	17,434	8,717	14,184	17,434
Number of Tracks		—	160	160	160	154	160
Track Density		tpi	135	135	135	135	135
Disk Rotational Speed		rpm	300	300	300	360	300
Track to Track Access Time		mS	3	3	3	3	3
Average Access Time		mS	94	94	94	91	94
Settling Time (max.)		mS	15				
DC Power Supply		V	5				
Power Consumption	Operating	W (typ.)	1.6				
	Stand-by	W (typ.)	0.04				
Environmental Conditions	Temperature	°C	5~52 (Operating)/-40~65 (Storage)				
	Humidity	%RH	20~80 (Operating)/10~90 (Storage)				
	max.Wet Bulb	°C	29 (Operating)/40 (Storage)				
MTBF (min.)		(H)	30,000P.O.H.				
MTTR (max.)		min	30				
Error Rate	Soft Read Error	/bit	10 <sup>-9</sup>				
	Hard Read Error	/bit	10 <sup>-12</sup>				
	Seek Error	/seek	10 <sup>-6</sup>				
Dimensions (H×W×D)		mm	25.4×101.6×144				
Weight		g (typ.)	330				

## DIMENSIONS



Unit : mm

- The figures are at MFM. At FM, the memory capacity, the data transfer speed and the memory density will be reduced to half the figures.
- These specification are as of July 19, 2002. These are subject to change without prior notice for further improvement.