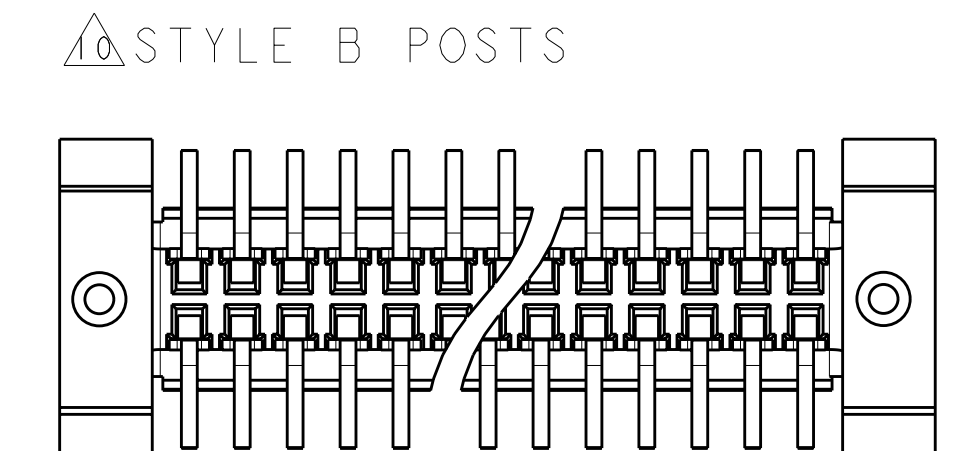
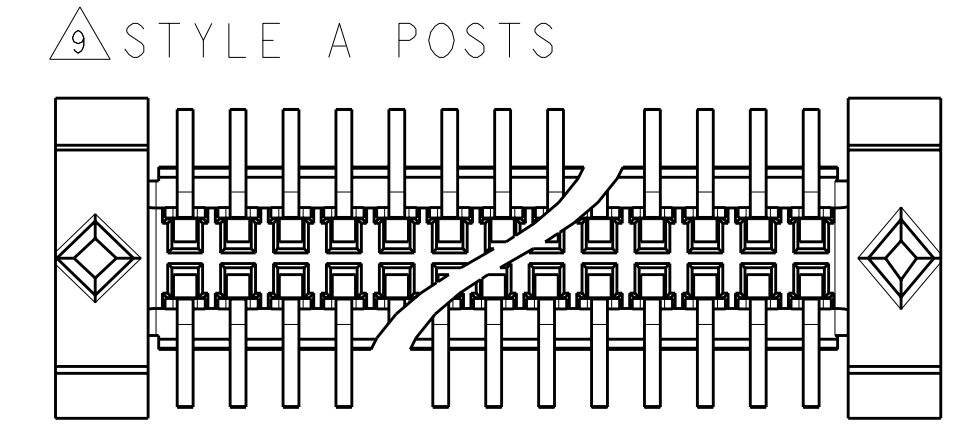
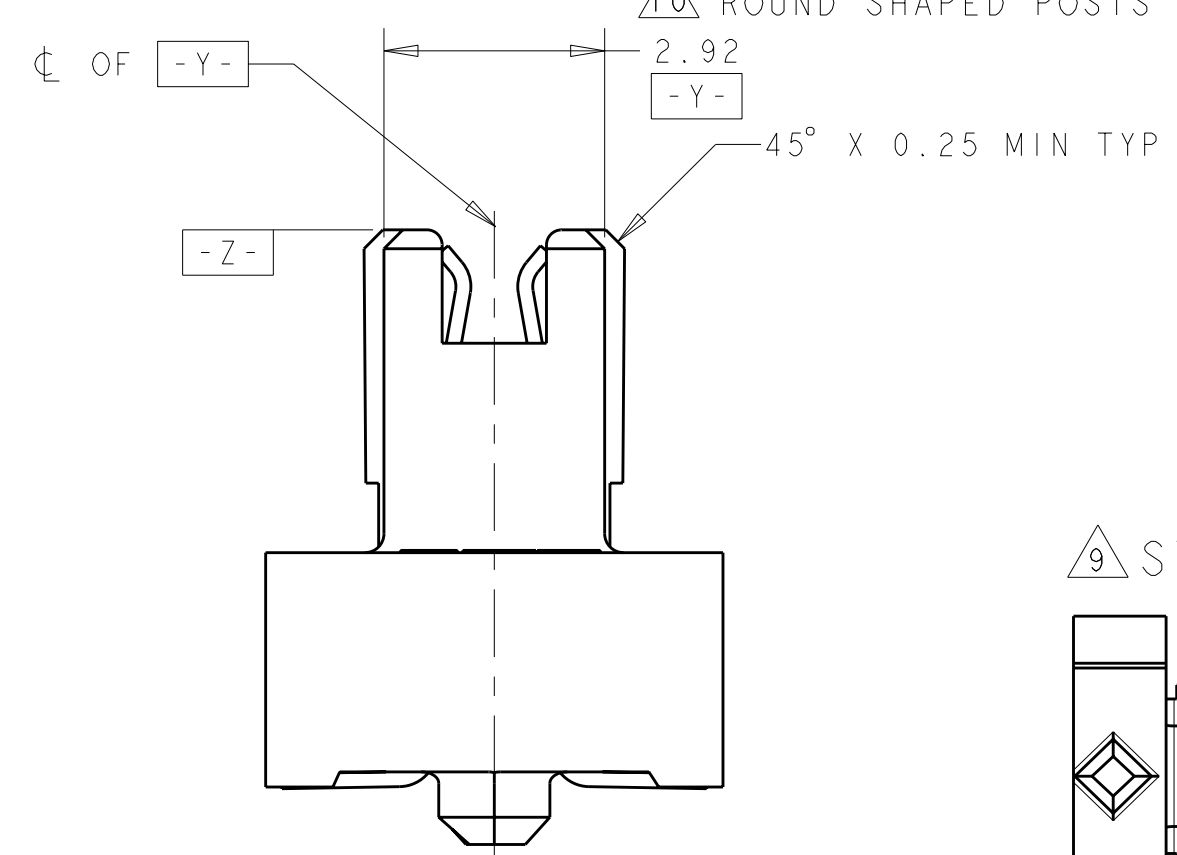
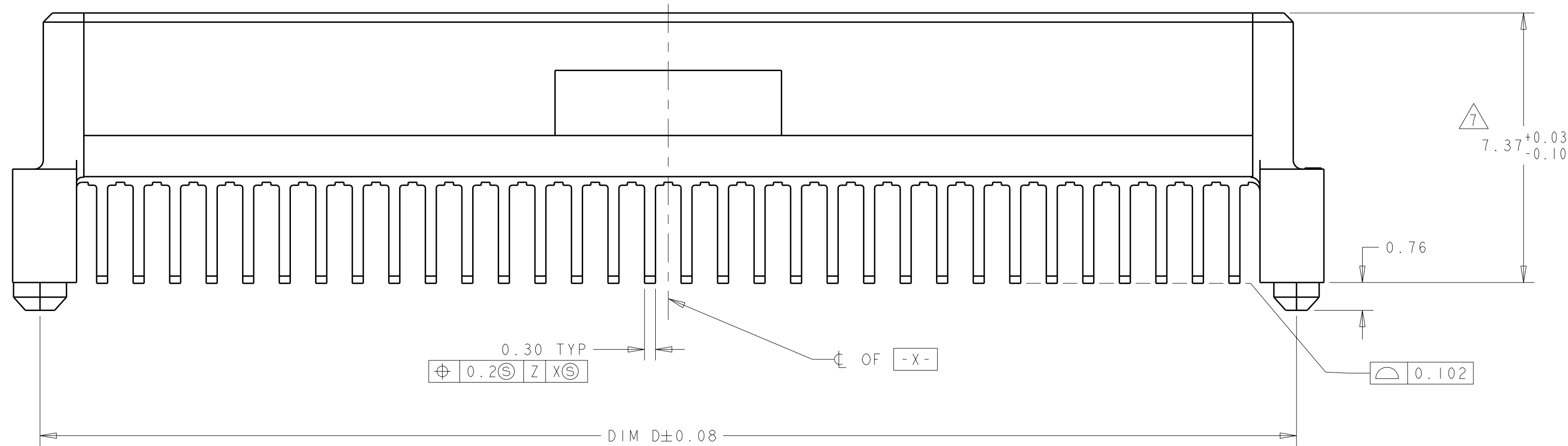
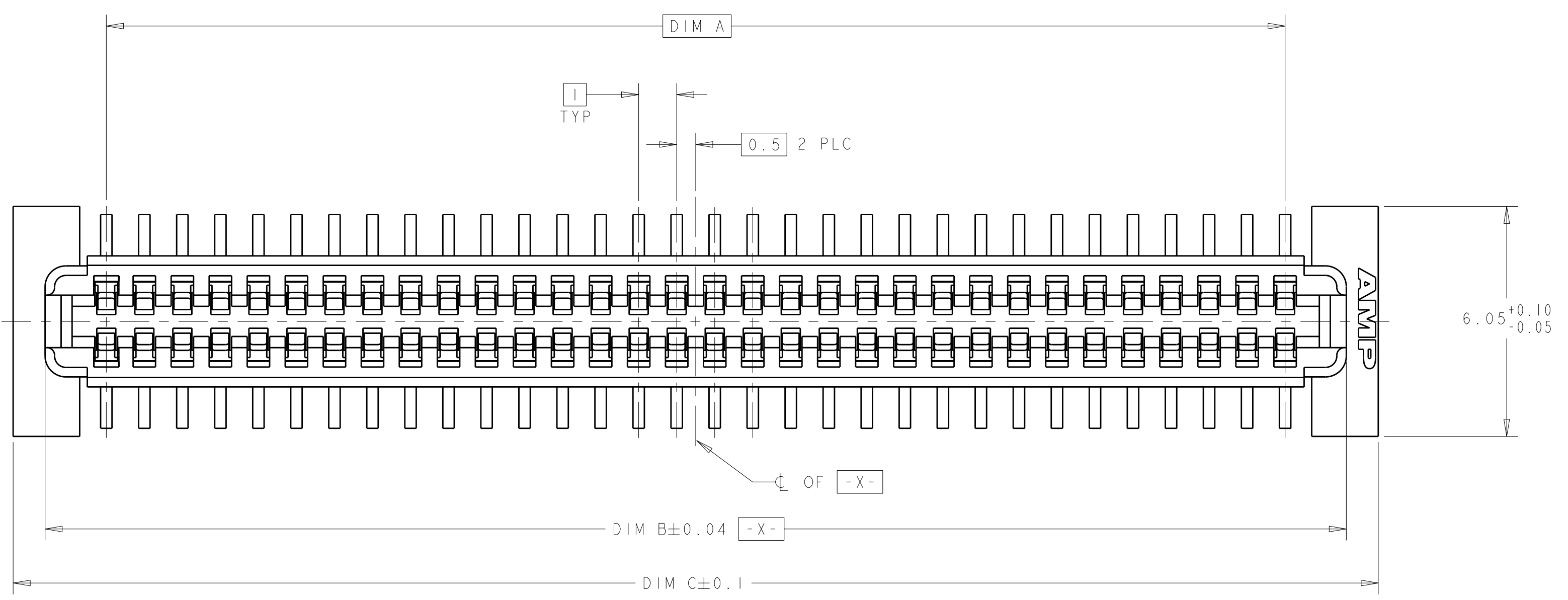
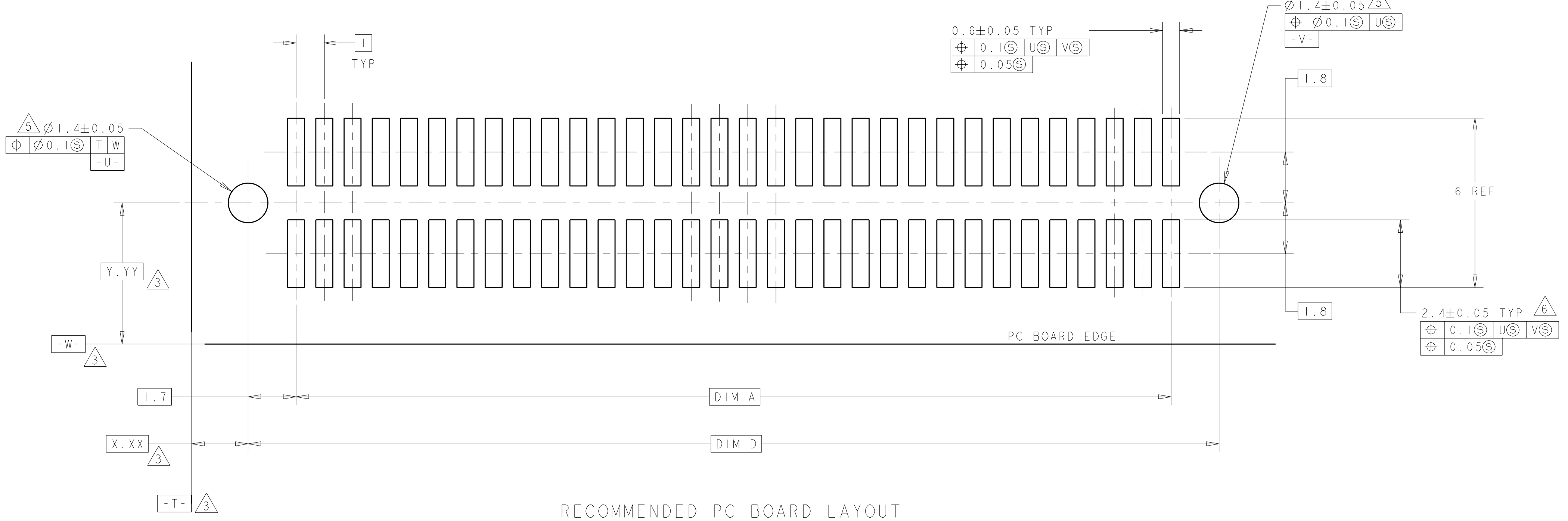


LOC	DIST	REV	DATE	DWN	APVD
AD	00	0	30SEP2004	BC	RW
		A	10JUL2006	DH	DB
		AI	14SEP2009	AEG	HM



- HOUSING MATERIAL: HIGH TEMPERATURE THERMOPLASTIC. COLOR; BLACK. CONTACT MATERIAL: PHOSPHOR BRONZE.
- CONTACT FINISH: NICKEL UNDERPLATE ALL OVER, MATING SURFACES PLATED TO MEET PL1 PERFORMANCE REQUIREMENTS OF INDUSTRY SPECIFICATION EIA-700AAAB, SOLDER TAILS PLATED TIN.
- DATUM LOCATIONS AND BASIC DIMENSIONS TO BE ESTABLISHED BY THE CUSTOMER. CONSULT AMP ENGINEERING WHEN PLACING MULTIPLE CONNECTORS ON A PC BOARD.
- PACKAGED IN TAPE ON REEL PER EIA-481.
- 1.5 MIN DIAMETER HOLE SHOULD BE USED IF USING POST STYLE "A" AND PLACING ON PCB WITH VACUUM PLACEMENT EQUIPMENT.
- SHORTER SOLDER LANDS MAY BE USED PER EIA 700AAAB, HOWEVER 2.4 LENGTH ASSURES OPTIMUM SOLDER FILLET REGARDLESS OF MANUFACTURER OF CONNECTOR.
- REFERRED TO AS DIM H = 7.3±0.1 IN EIA 700AAAB SPECIFICATION.
- CONTACT FINISH: 0.00381 MINIMUM MATTE TIN PER ASTM B 545 ON SOLDER AREA, 0.0127 MINIMUM GOLD PER ASTM B 488 ON MATING AREA, BOTH OVER 0.00127 MINIMUM NICKEL PER SAE-AMS-QQ-N-290 ON ENTIRE CONTACT.
- SQUARE AND DIAMOND SHAPED POSTS
- ROUND SHAPED POSTS



RECOMMENDED PC BOARD LAYOUT

POST STYLE	FINISH	DIM D	DIM C	DIM B	DIM A	STACK HGTS	POS	PART NO
10	8	44.4	45.9	44.22	41	11, 12	84	3-5120603-2
10	2	34.4	35.9	34.22	31	11, 12	64	3-5120603-1
10	2	44.4	45.9	44.22	41	11, 12	84	2-5120603-2
9	2	34.4	35.9	34.22	31	11, 12	64	2-5120603-1
9	8	44.4	45.9	44.22	41	11, 12	84	1-5120603-2
9	2	34.4	35.9	34.22	31	11, 12	64	1-5120603-1
9	2	44.4	45.9	44.22	41	11, 12	84	5120603-2
9	2	34.4	35.9	34.22	31	11, 12	64	5120603-1

DIMENSIONS: mm TOLERANCES UNLESS OTHERWISE SPECIFIED: 9 PLC ± 1 PLC ±0.03 5 PLC ±0.003 4 PLC ± ANGLES 40°-1° FINISH SEE TABLE		DWN B. CARBO CHK R. WERTZ APVD R. WERTZ PRODUCT SPEC 502-1079 APPLICATION SPEC 114-25045 WEIGHT CUSTOMER DRAWING		30SEP04 30SEP04 30SEP04 NAME RECEPTACLE ASSY, 1.0mm FH(IEEE1386) CONNECTOR SIZE CAGE CODE DRAWING NO A1 00779 C=5120603 SCALE 10:1 SHEET 1 OF 1 REV A1		Tyco Electronics Corporation Harrisburg, PA 17105-3608	
--	--	--	--	---	--	---	--