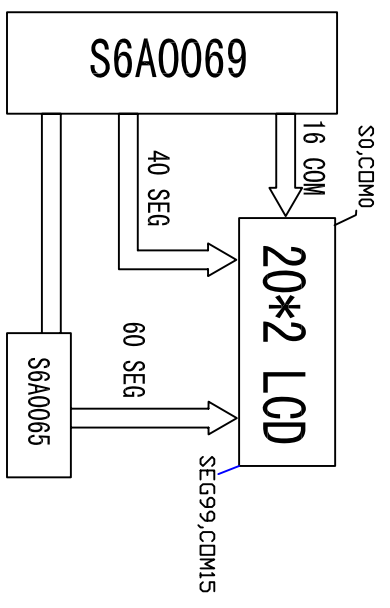
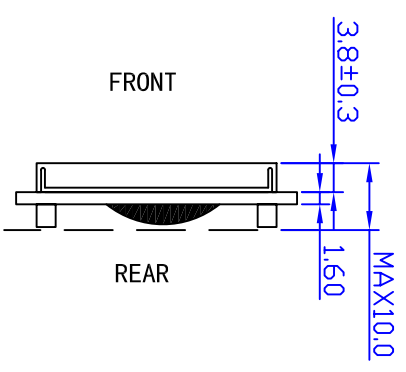
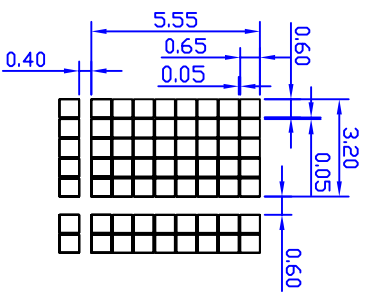
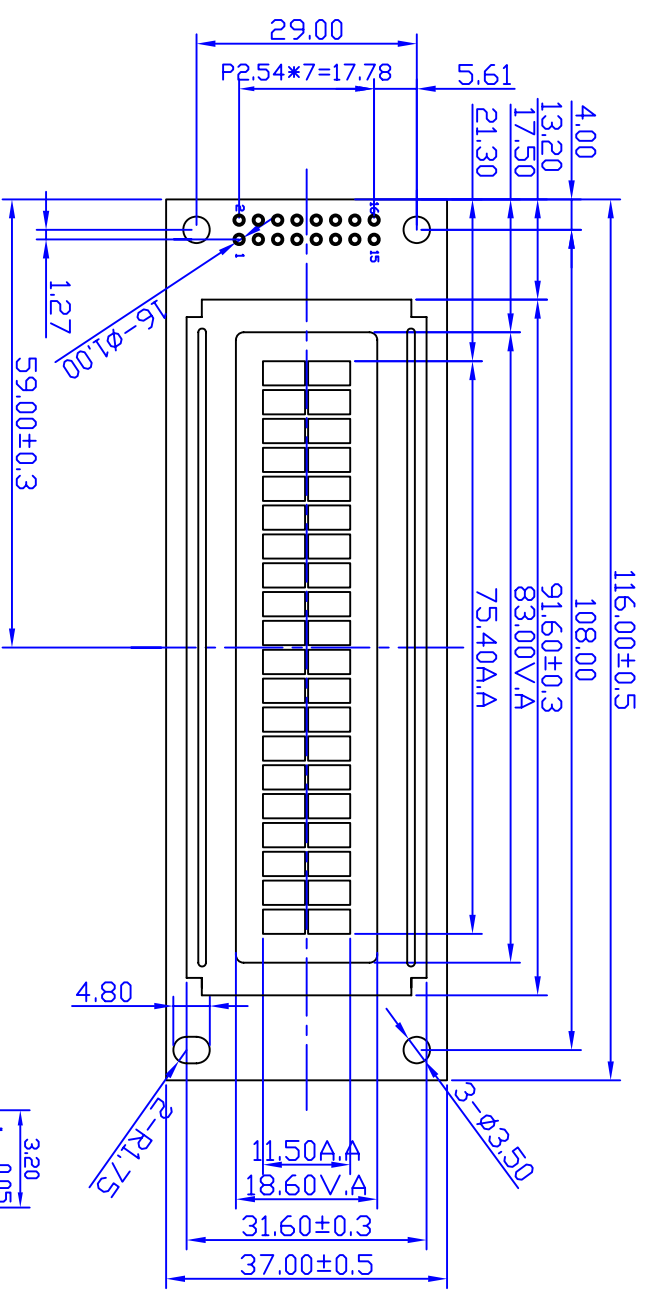


REV.	CHANGE CONTENT	BY	DATE



- NOTE:
1. DISPLAY TYPE: STN, POSITIVE, REFLECTIVE, Y-G
 2. VIEWING DIR: 6:00
 3. DRIVE METHOD: 1/16 DUTY, 1/5 BIAS, Vop 5.0V VDD=5.0V
 4. DP TEMP: -20~70°C
 5. ST TEMP: -30~80°C
 6. DRIVER IC: S6A0069 S6A0065

PIN NO.	1	2	3	4	5	6	7	8	9	10	11	12	13	14	15	16
SYMBOL	VSS	VDD	VO	RS	R/W	E	D0	D1	D2	D3	D4	D5	D6	D7	A	K

TOLERANCE		HT DISPLAY		DRAWING No. : HC200201C-YR62N-VB	
>0~6	±0.10	DESIGN	ZOUYS	060221	STANDARD
>6~80	±0.20	CHECKED			TECHNOLOGY
>80~240	±0.30	APPROVED			Q.A
>240~400	±0.50				
// 1.0	±0.10				
DRAWING TITLE: LCM DRAWING				REV. : A	SCALE : -
				PROJECTION:	UNIT : mm
					SHEET : 1/1