

DATA SHEET 658, REV. -

Standard Industrial Grade MOSFET Power Modules

FEATURES:

- High Power Density
- Low Drain to Source Resistance ($R_{DS(on)}$)
- Low Thermal Resistance ($R_{\theta JC}$)

INDUSTRIAL MOSFET PRODUCT MAP

		I_D (Amps)						
CONFIGURATION	V_{DSS} (V)	10	25	50	100	200	300	400
Single	60	-	-	-	-	-	-	SPM1M350-006 SPM1M400-006
	100	-	-	-	-	SPM1M250-010	SPM1M300-010	-
	300	-	-	-	SPM1M130-030 SPM1M160-030	-	-	-
	600	-	-	SPM1M070-060	SPM1M090-060	-	-	-
	1000	-	-	SPM1M045-100 SPM1M065-100	-	-	-	-
Half-Bridge	60	-	-	-	-	SPM2M200-006 SPM2M250-006	-	-
	100	-	-	-	SPM2M150-010	SPM2M200-010	-	-
	300	-	-	-	SPM2M080-030 SPM2M120-030	-	-	-
	600	-	-	SPM2M040-060 SPM2M050-060	-	-	-	-
	1000	-	SPM2M025-100 SPM2M035-100	-	-	-	-	-
H-Bridge	60	-	-	SPC4M075-006	SPM4M130-006	-	-	-
	100	-	-	SPC4M045-010 SPC4M075-010	SPM4M130-010	-	-	-
	200	-	SPC4M030-020	SPC4M050-020	-	-	-	-
	300	-	-	SPC4M040-030	SPM4M080-030	-	-	-
	600	-	SPC4M020-060	SPM4M040-060	-	-	-	-
	1000	SPC4M012-100	SPM4M024-100	-	-	-	-	-

DATA SHEET 658, REV. -

Industrial Grade MOSFET Power Modules

INDUSTRIAL MOSFET PRODUCT MAP								
		I_D (Amps)						
CONFIG- URATION	V_{DSS} (V)	10	25	50	100	200	300	400
Dual H-Bridge	60	-	-	SPC8M075-006	-	-	-	-
	100	-	-	SPC8M045-010	-	-	-	-
	200	-	SPC8M030-020	-	-	-	-	-
	600	SPC8M011-060	-	-	-	-	-	-
3-Phase Bridge	60	-	-	SPC6M075-006	-	-	-	-
	100	-	-	SPC6M045-010	-	-	-	-
	200	-	SPC6M030-020	-	-	-	-	-
	600	SPC6M011-060	-	-	-	-	-	-
	1000	SPC6M006-100	-	-	-	-	-	-

Note:

Operating temperature range is -40°C to 125°C; storage temperature range is -40°C to 150°C.

INDUSTRIAL MOSFET MODULES**Single Devices****MOSFET CHARACTERISTICS**

PART NUMBER	V _{DSS}	Continuous Drain Current I _c @ T _c =25°C	Pulsed Drain Current T _c =25°C	R _{ds(on)} @I _D		C _{iss} Typ	t _{rr} max 25°C	Maximum P _D @ T _c =25°C	R _{θJC}
	Volts			Amps	Amps				
SPM1M350-006	60	350	900	0.003	60	18	60	800	0.14
SPM1M400-006	60	400	1000	0.002	100	28	60	1000	0.11
SPM1M250-010	100	250	700	0.007	60	18	200	1000	0.11
SPM1M300-010	100	300	900	0.005	100	28	200	1500	0.07
SPM1M130-030	300	130	400	0.030	60	18	200	1000	0.11
SPM1M160-030	300	160	600	0.018	90	28	200	1500	0.07
SPM1M070-060	600	70	250	0.100	30	18	250	1000	0.11
SPM1M090-060	600	90	350	0.070	50	28	250	1500	0.07
SPM1M045-100	1000	45	140	0.300	20	18	250	1000	0.11
SPM1M065-100	1000	65	200	0.200	25	28	250	1500	0.07

Half-Bridge Devices**MOSFET CHARACTERISTICS**

PART NUMBER	V _{DSS}	Continuous Drain Current I _c @ T _c =25°C	Pulsed Drain Current T _c =25°C	R _{ds(on)} @I _D		C _{iss} Typ	t _{rr} max 25°C	Maximum P _D @ T _c =25°C	R _{θJC}
	Volts			Amps	Amps				
SPM2M200-006	60	200	500	0.005	40	9.0	60	460	0.27
SPM2M250-006	60	250	600	0.004	60	14	60	600	0.20
SPM2M150-010	100	150	400	0.013	40	9.0	200	600	0.20
SPM2M200-010	100	200	500	0.009	60	14	200	900	0.13
SPM2M080-030	300	80	250	0.055	40	9.0	200	600	0.20
SPM2M120-030	300	120	350	0.035	60	14	200	900	0.13
SPM2M040-060	600	40	150	0.180	20	9.0	250	600	0.20
SPM2M050-060	600	50	200	0.120	30	14	250	900	0.13
SPM2M025-100	1000	25	75	0.55	10	9.0	250	600	0.20
SPM2M035-100	1000	35	120	0.37	15	14	250	900	0.13

H-Bridge Devices**MOSFET CHARACTERISTICS**

PART NUMBER	V _{DSS}	Continuous Drain Current I _c @ T _c =25°C	Pulsed Drain Current T _c =25°C	R _{ds(on)} @I _D		C _{iss} Typ	t _{rr} max 25°C	Maximum P _D @ T _c =25°C	R _{θJC}
	Volts			Amps	Amps				
SPM4M130-006	60	130	400	0.006	20	6.0	60	230	0.56
SPM4M130-010	100	130	400	0.011	20	9.0	200	600	0.20
SPM4M080-030	300	80	300	0.053	20	9.0	200	600	0.20
SPM4M040-060	600	40	120	0.180	20	9.0	250	900	0.20
SPM4M024-100	1000	24	70	0.55	15	9.0	250	600	0.20
SPC4M075-006	60	75	220	0.010	20	2.8	60	150	1.0
SPC4M045-010	100	45	130	0.030	20	3.5	170	180	0.70
SPC4M075-010	100	75	300	0.020	20	4.5	200	300	0.40
SPC4M030-020	200	30	120	0.075	15	2.8	360	180	0.70
SPC4M050-020	200	50	200	0.05	15	4.5	200	300	0.40
SPC4M040-030	300	40	150	0.085	20	4.8	200	300	0.40
SPC4M020-060	600	20	80	0.350	10	4.5	250	300	0.40
SPC4M012-100	1000	12	45	1.00	6.0	4.0	250	300	0.40

DATA SHEET 658, REV. -

Dual H-Bridge Devices**MOSFET CHARACTERISTICS**

PART NUMBER	V _{DSS}	Continuous Drain Current I _c @ T _c =25°C	Pulsed Drain Current T _c =25°C	R _{ds(on)} @I _D		C _{iss} Typ	t _{rr} max 25°C	Maximum P _D @ T _C =25°C	R _{θJC}
	Volts			Amps	Amps				
SPC8M075-006	60	75	220	0.010	20	2.8	60	150	1.0
SPC8M045-010	100	45	130	0.030	20	3.5	170	180	0.70
SPC8M030-020	200	30	120	0.075	15	2.8	360	180	0.70
SPC8M011-060	600	11	45	0.55	5.0	2.7	250	180	0.40

DIODE CHARACTERISTICS

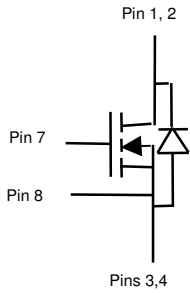
PART NUMBER	Current Rating I _{FavM} @ D=0.5, T _c		V _F @ I _F T _J =25°C Typ		t _{rr} @ -di/dt=100A/μsec, T _J =25°C	Thermal Resistance R _{θJC}
	Amps	°C	Volts	Amps	Typ	°C/W
SPC8M075-006	25	80	1.05	25	30	1.6
SPC8M045-010	25	80	1.05	25	30	1.6
SPC8M030-020	25	80	1.05	25	30	1.6
SPC8M011-060	15	80	1.6	15	50	1.6

Three-Phase Bridge Devices**MOSFET CHARACTERISTICS**

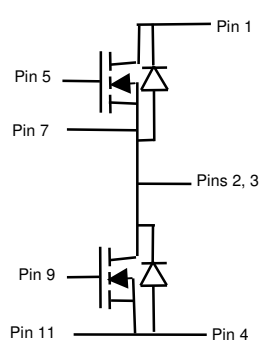
PART NUMBER	V _{DSS}	Continuous Drain Current I _c @ T _c =25°C	Pulsed Drain Current T _c =25°C	R _{ds(on)} @I _D		C _{iss} Typ	t _{rr} max 25°C	Maximum P _D @ T _C =25°C	R _{θJC}
	Volts			Amps	Amps				
SPC6M075-006	60	75	220	0.010	20	2.8	60	150	1.0
SPC6M045-010	100	45	130	0.030	20	3.5	170	180	0.70
SPC6M030-020	200	30	120	0.075	15	2.8	360	180	0.70
SPC6M011-060	600	11	45	0.55	5.0	2.7	250	180	0.70
SPC6M006-060	1000	6.0	24	2.0	3.0	2.6	250	180	0.70

DATA SHEET 658, REV. -

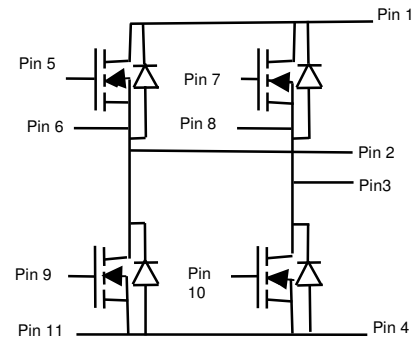
SCHEMATIC DIAGRAMS
(for SPMxMxxx-xxx)



Schematic for
SPM1Mxxx-xxx



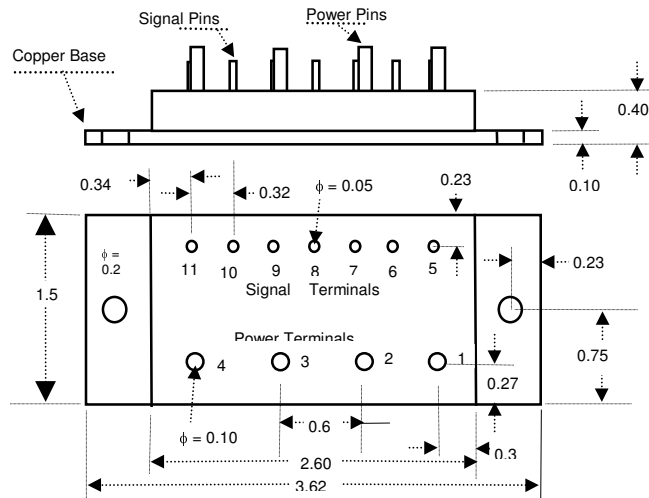
Schematic for
SPM2Mxxx-xxx



Schematic for
SPM4Mxxx-xxx

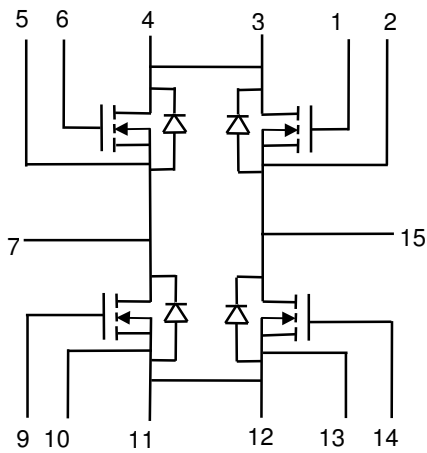
PACKAGE OUTLINE

(for SPM1Mxxx-xxx, SPM2Mxxx-xxx, SPM4Mxxx-xxx)
(All dimensions are in inches)

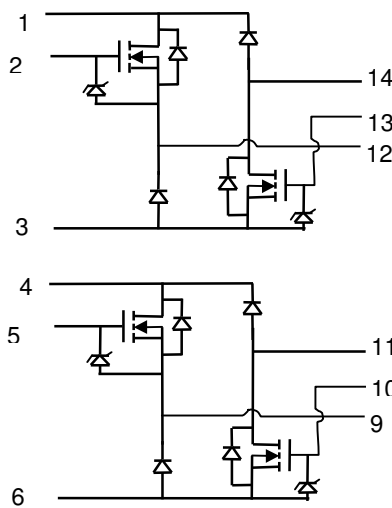


SCHEMATIC DIAGRAM

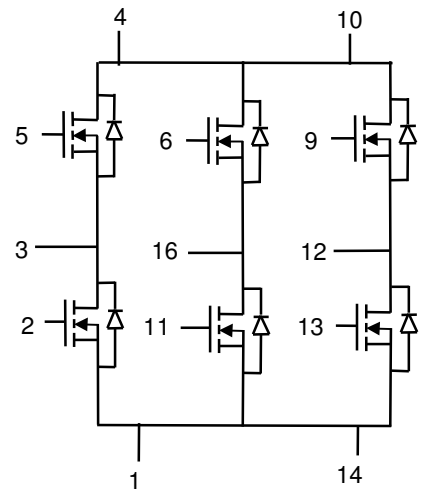
(for SPCXMxxx-xxx)



Schematic for
SPC4Mxxx-xxx



Schematic for
SPC8Mxxx-xxx

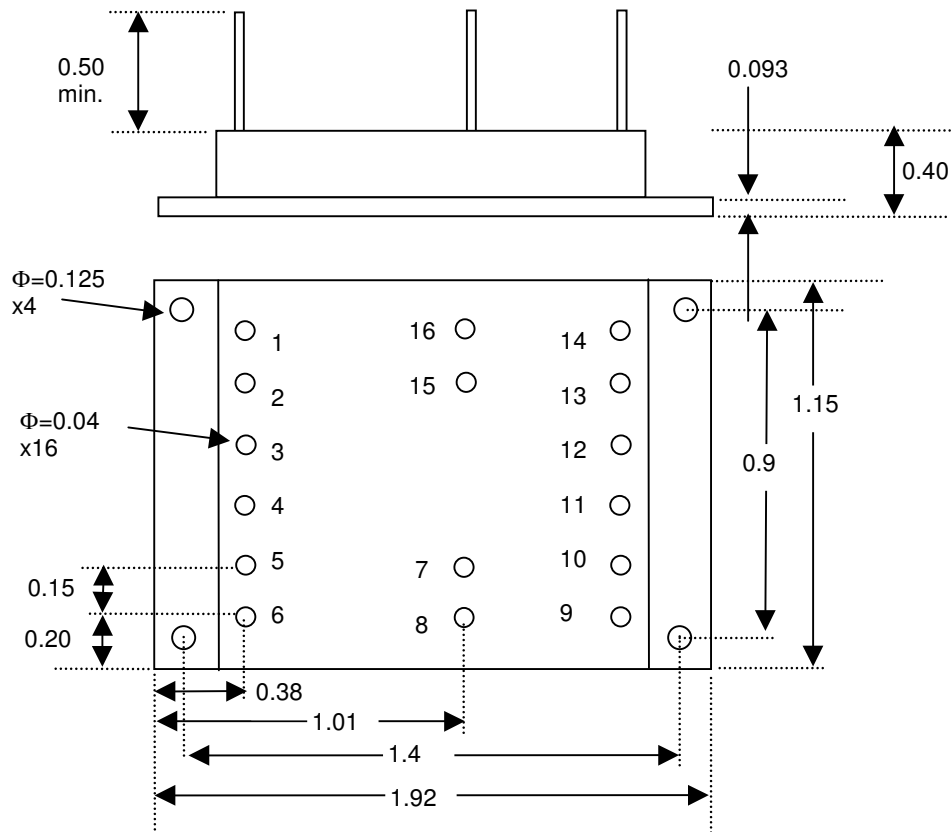


Schematic for
SPC6Mxxx-xxx

PACKAGE OUTLINE

(for SPC4Mxxx-xxx, SPC8Mxxx-xxx, SPC6Mxxx-xxx)

(All dimensions are in inches)



TECHNICAL DATA

DISCLAIMER:

- 1- The information given herein, including the specifications and dimensions, is subject to change without prior notice to improve product characteristics. Before ordering, purchasers are advised to contact the Sensitron Semiconductor sales department for the latest version of the datasheet(s).
- 2- In cases where extremely high reliability is required (such as use in nuclear power control, aerospace and aviation, traffic equipment, medical equipment, and safety equipment), safety should be ensured by using semiconductor devices that feature assured safety or by means of users' fail-safe precautions or other arrangement.
- 3- In no event shall Sensitron Semiconductor be liable for any damages that may result from an accident or any other cause during operation of the user's units according to the datasheet(s). Sensitron Semiconductor assumes no responsibility for any intellectual property claims or any other problems that may result from applications of information, products or circuits described in the datasheets.
- 4- In no event shall Sensitron Semiconductor be liable for any failure in a semiconductor device or any secondary damage resulting from use at a value exceeding the absolute maximum rating.
- 5- No license is granted by the datasheet(s) under any patents or other rights of any third party or Sensitron Semiconductor.
- 6- The datasheet(s) may not be reproduced or duplicated, in any form, in whole or part, without the expressed written permission of Sensitron Semiconductor.
- 7- The products (technologies) described in the datasheet(s) are not to be provided to any party whose purpose in their application will hinder maintenance of international peace and safety nor are they to be applied to that purpose by their direct purchasers or any third party. When exporting these products (technologies), the necessary procedures are to be taken in accordance with related laws and regulations.