

PLEASE CHECK WWW.MOLEX.COM FOR LATEST PART INFORMATION

Part Number: [5013311407](#)
Status: **Active**
Overview: [picoclap](#)
Description: 1.00mm (.039") Pitch Pico-Clasp™ Wire-to-Board Header, Surface Mount, Single Row, Vertical, with Positive Lock, 14 Circuits, with Cover Tape, Lead-free

Documents:

[3D Model](#) [Product Specification PS-501331-001 \(PDF\)](#)
[Drawing \(PDF\)](#) [RoHS Certificate of Compliance \(PDF\)](#)

General

Product Family	PCB Headers
Series	501331
Application	Wire-to-Board
Overview	picoclap
Product Name	Pico-Clasp™

Physical

Breakaway	No
Circuits (Loaded)	14
Color - Resin	Natural
Durability (mating cycles max)	30
Glow-Wire Compliant	No
Lock to Mating Part	Yes
Material - Metal	Phosphor Bronze
Material - Plating Mating	Tin
Material - Plating Termination	Tin
Material - Resin	Nylon
Number of Rows	1
Orientation	Vertical
PCB Locator	No
PCB Retention	Yes
Packaging Type	Embossed Tape on Reel
Pitch - Mating Interface (in)	0.039 In
Pitch - Mating Interface (mm)	1.00 mm
Polarized to Mating Part	Yes
Polarized to PCB	No
Robotic Placement	Vacuum Pick-Up Tape
Stackable	No
Temperature Range - Operating	-40°C to +85°C
Termination Interface: Style	Surface Mount

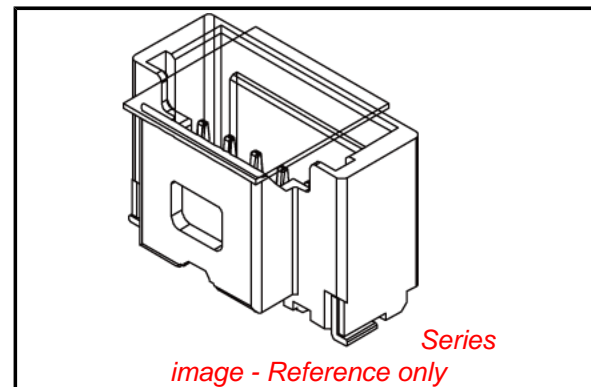
Electrical

Current - Maximum per Contact	1A
Voltage - Maximum	50V AC (RMS)/DC

Material Info

Reference - Drawing Numbers

Packaging Specification	SPK-501331-001
Product Specification	PS-501331-001, RPS-501331-001, RPS-501331-002, RPS-501331-003, RPS-501331-005, RPS-501331-006, RPS-501331-007, RPS-501940-001, RPS-501940-002
Sales Drawing	SD-501331-002, SD-501331-004



EU RoHS

ELV and RoHS Compliant
REACH SVHC
 Not Reviewed
Halogen-Free
Status
Not Reviewed

China RoHS



Need more information on product environmental compliance?

Email productcompliance@molex.com
 For a multiple part number RoHS Certificate of Compliance, [click here](#)

Please visit the [Contact Us](#) section for any non-product compliance questions.

Search Parts in this Series

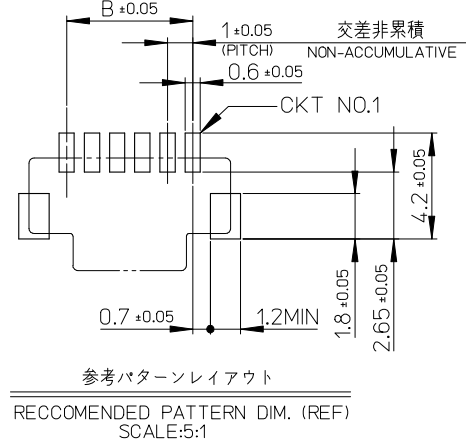
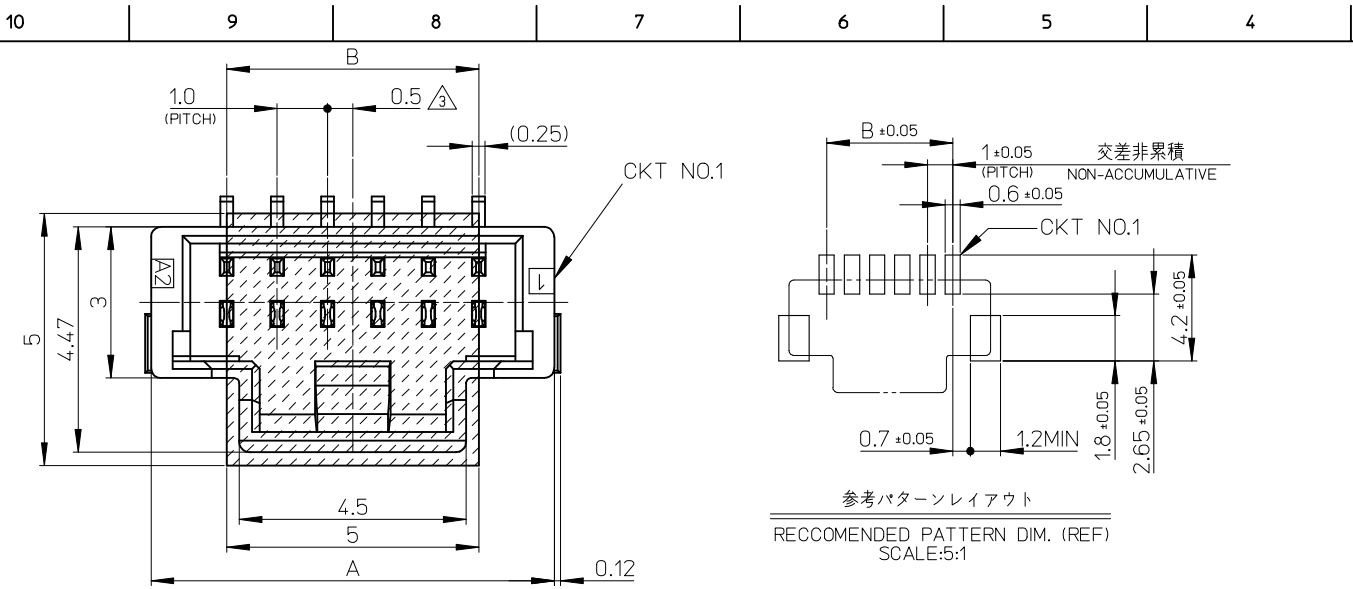
[501331Series](#)

Mates With

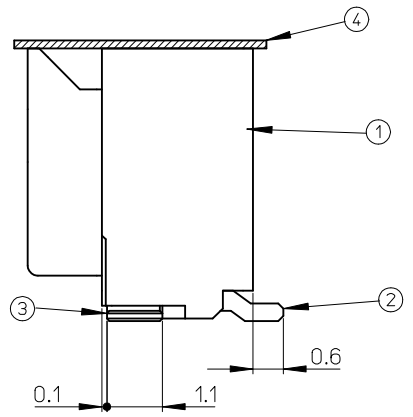
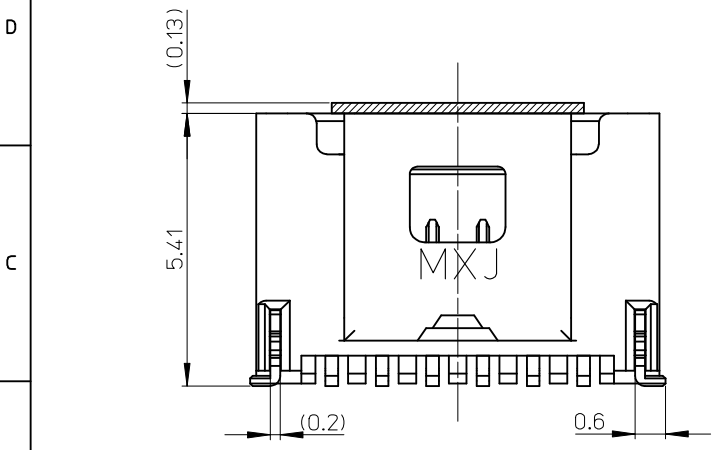
[501330](#) Pico-Clasp™ Wire-to-Board Female Housing

This document was generated on 05/26/2010

PLEASE CHECK WWW.MOLEX.COM FOR LATEST PART INFORMATION



番号 NO.	部品 PART	材質 MATERIAL
①	ウエハー WAFER	耐熱ナイロン樹脂 UL94V-0 色:表参照 HEAT RESISTANCE NYLON UL94V-0, COLOR:SEE TABLE
②	ソルダーピン SOLDER PIN	りん青銅 PHOSPHOR BRONZE 錫メッキ: 1.0 μm MIN. TIN ニッケルメッキ(下地): 1.0 μm MIN. NICKEL(UNDER PLATING)
③	ネイル NAIL	りん青銅 PHOSPHOR BRONZE 錫メッキ: 1.0 μm MIN. TIN ニッケルメッキ(下地): 1.0 μm MIN. NICKEL(UNDER PLATING)
④	カバーテープ COVER TAPE	ポリイミドテープ POLYIMIDE TAPE



14.0	17.0	15
13.0	16.0	14
12.0	15.0	13
11.0	14.0	12
10.0	13.0	11
9.0	12.0	10
8.0	11.0	9
7.0	10.0	8
6.0	9.0	7
5.0	8.0	6
B	A	極数 CIRCUITS

※対応可能な極数は、別途お問い合わせ下さい。

- NOTES.
1. 嵌合相手: 501330-****
MATE WITH: 501330-****
 2. ソルダーピン及びネイル平坦度は、0.1MAX.
SOLDER PIN AND NAIL COPLANARITY TO BE 0.1MAX.
 3. 極数=偶数に適用
APPLY FOR CKT SIZE=EVEN
 4. 2~5極は、SD-501331-001を参照下さい。
REFER TO SD-501331-001 ABOUT 2-5CKT.
 5. ELV及びRoHS適合品。
ELV AND RoHS COMPLIANT.

REVISED		GENERAL TOLERANCES (UNLESS SPECIFIED)		DIMENSION STYLE		SCALE		DESIGN UNITS		THIRD ANGLE PROJECTION	
EC NO: J2010-0339	DRWN:IMAKAWA01 2009/09/01	10 UNDER	±0.2	MM ONLY		10:1		METRIC			
CHKD:HATSUMOTO 2009/09/01	APPR:HIRATA 2009/09/01	10 OVER 30 UNDER	±0.25	DRAWN BY	DATE	TITLE		1.0 WIRE TO BOARD CONN. WAFER ASS'Y (1-ROW S/T) 6-15CKT			
REV	DESCRIPTION	30 OVER	±0.3	NYOSHIDA	2004/07/30	MOLEX INCORPORATED					
		ANGULAR ±3 °		CHECKED BY	DATE	DOCUMENT NO.		SHEET NO.			
		DRAFT WHERE APPLICABLE MUST REMAIN WITHIN DIMENSIONS		MYAGI	2004/07/30	SD-501331-002		1 OF 2			
				APPROVED BY	DATE	SEE TABLE		THIS DRAWING CONTAINS INFORMATION THAT IS PROPRIETARY TO MOLEX INCORPORATED AND SHOULD NOT BE USED WITHOUT WRITTEN PERMISSION			
				MIYAZAWA	2004/07/30						
				MATERIAL NO.							
				SIZE	A3						

F

紫 PA46 VIOLET	橙 PA46 ORANGE	茶 PA46 BROWN	緑 PA46 GREEN	色 COLOR
501331-1597	501331-1587	501331-1577	501331-1567	15
501331-1497	501331-1487	501331-1477	501331-1467	14
501331-1397	501331-1387	501331-1377	501331-1367	13
501331-1297	501331-1287	501331-1277	501331-1267	12
501331-1197	501331-1187	501331-1177	501331-1167	11
501331-1097	501331-1087	501331-1077	501331-1067	10
501331-0997	501331-0987	501331-0977	501331-0967	9
501331-0897	501331-0887	501331-0877	501331-0867	8
501331-0797	501331-0787	501331-0777	501331-0767	7
501331-0697	501331-0687	501331-0677	501331-0667	6

E

EMBOSSSED PACKAGE	EMBOSSSED PACKAGE	EMBOSSSED PACKAGE	EMBOSSSED PACKAGE	極数 CIRCUITS
オーダー番号 ORDER NO.	オーダー番号 ORDER NO.	オーダー番号 ORDER NO.	オーダー番号 ORDER NO.	

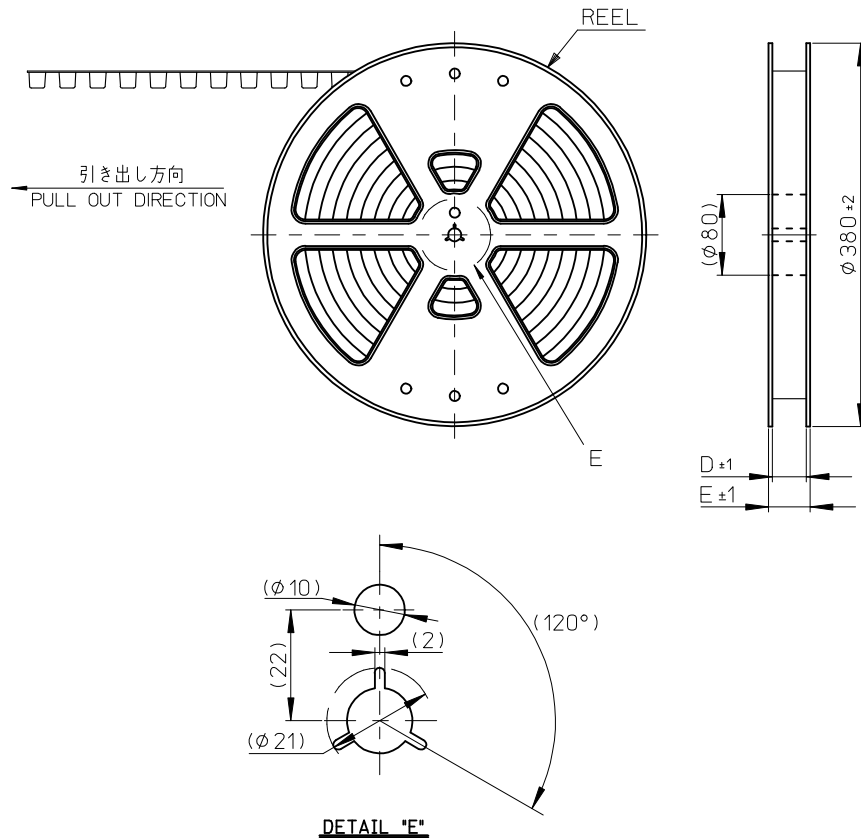
D

CONNECTOR SERIES No. 501331-***9					
青 PA46 BLUE	黄 PA46 YELLOW	赤 PA46 RED	黒 PA46 BLACK	自然色 PA6T NATURAL	色 COLOR
501331-1547	501331-1537	501331-1527		501331-1507	15
501331-1447	501331-1437	501331-1427		501331-1407	14
501331-1347	501331-1337	501331-1327		501331-1307	13
501331-1247	501331-1237	501331-1227		501331-1207	12
501331-1147	501331-1137	501331-1127		501331-1107	11
501331-1047	501331-1037	501331-1027		501331-1007	10
501331-0947	501331-0937	501331-0927	501331-0917	501331-0907	9
501331-0847	501331-0837	501331-0827	501331-0817	501331-0807	8
501331-0747	501331-0737	501331-0727		501331-0707	7
501331-0647	501331-0637	501331-0627	501331-0617	501331-0607	6
EMBOSSSED PACKAGE	EMBOSSSED PACKAGE	EMBOSSSED PACKAGE	EMBOSSSED PACKAGE	EMBOSSSED PACKAGE	極数 CIRCUITS
オーダー番号 ORDER NO.	オーダー番号 ORDER NO.	オーダー番号 ORDER NO.	オーダー番号 ORDER NO.	オーダー番号 ORDER NO.	

B

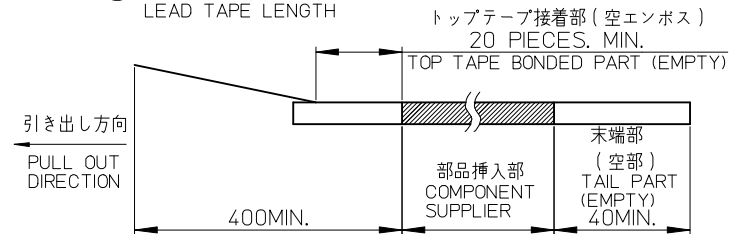
A

REVISED EC NO: J2010-0339 DRWN: TNAGAWA01 2009/09/01 CHKD: HMATSUMOTO 2009/09/01 APPR: HIRATA 2009/09/01	DESCRIPTION	GENERAL TOLERANCES (UNLESS SPECIFIED)		DIMENSION STYLE MM ONLY		SCALE ---	DESIGN UNITS METRIC	THIRD ANGLE PROJECTION	
		10 UNDER	±0.2	DRAWN BY NYOSHIDA	DATE 2004/07/30	TITLE 1.0 WIRE TO BOARD CONN. WAFER ASS'Y (1-ROW S/T) 6-15CKT			
		10 OVER 30 UNDER	±0.25	CHECKED BY MYAGI	DATE 2004/07/30				
		30 OVER	±0.3	APPROVED BY MIYAZAWA	DATE 2004/07/30				
	ANGULAR ±3 °	DRAFT WHERE APPLICABLE MUST REMAIN WITHIN DIMENSIONS		SEE TABLE		DOCUMENT NO. SD-501331-002		SHEET NO. 2 OF 2	
				SIZE A3		THIS DRAWING CONTAINS INFORMATION THAT IS PROPRIETARY TO MOLEX INCORPORATED AND SHOULD NOT BE USED WITHOUT WRITTEN PERMISSION			



NOTES.

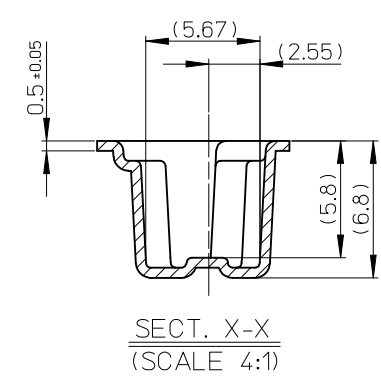
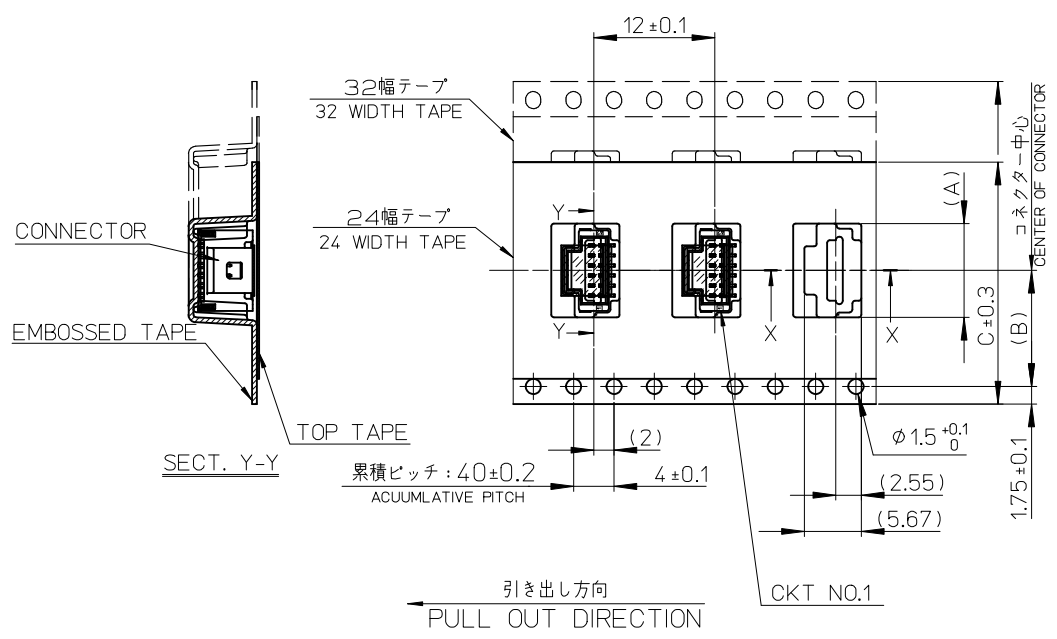
- 製品詳細寸法については製品単体図面を参照ください。
ABOUT DETAILED DIMENSION, SEE PRODUCT DRAWING.
- 梱包数量：1100個/リール
NUMBER OF CONNECTORS：1100PIECES/REEL
- リードテープ長さ
LEAD TAPE LENGTH



- 材料
MATERIAL
キャリアテープ：ポリプロピレン
CARRIER TAPE：POLYPROPYLENE
トップテープ：PET、PE、REF
TOP TAPE
リール：ポリスチレン (リサイクル材を含む)
REEL：POLYSTYLENE (RECYCLE MATERIAL CONTAINED)
- ELV 及び RoHS適合品
ELV AND RoHS COMPLIANT.
- ハイバリア梱包 (シリカゲル入り) 対応品である。(501331-**07除く)
THIS PRODUCT IS HIGH BARRIER PACKAGE.(WITH SILICAGEL)
(BESIDES 501331-**07)
- 開梱後の保管条件に注意のこと。(ハイバリア品対象：PS-501331-001参照)
REFER TO PS-501331-001(HIGH BARRIER PRODUCT)
FOR CONDITIONS AFTER OPEN.

REVISED EC NO: J2010-0339 DRWN: TAKAGAWA01 2009/09/01 CHKD: MATSUMOTO 2009/09/01 APPR: HIRATA 2009/09/01	DESCRIPTION REV	GENERAL TOLERANCES (UNLESS SPECIFIED)		DIMENSION STYLE MM ONLY		SCALE ---	DESIGN UNITS METRIC	THIRD ANGLE PROJECTION		
		10 UNDER	±0.2	DRAWN BY NYOSHIDA	DATE 2005/01/18	TITLE 1.0 WIRE TO BOARD CONN. WAFER ASS'Y (1-ROW S/T) EMBSTP PKG				
		10 OVER 30 UNDER	±0.25	CHECKED BY MYAGI	DATE 2005/01/18	MOLEX INCORPORATED				
		30 OVER	±0.3	APPROVED BY ANODA	DATE 2005/01/18	DOCUMENT NO. SD-501331-004				
		ANGULAR ±1 °		MATERIAL NO. SEE SHEET 3		SHEET NO. 1 OF 3				
		DRAFT WHERE APPLICABLE MUST REMAIN WITHIN DIMENSIONS		THIS DRAWING CONTAINS INFORMATION THAT IS PROPRIETARY TO MOLEX INCORPORATED AND SHOULD NOT BE USED WITHOUT WRITTEN PERMISSION						

10 9 8 7 6 5 4 3 2 1



37.4	33.4	32	14.2	18.3	15
				17.3	14
				16.3	13
29.4	25.4	24	11.5	15.3	12
				14.3	11
				13.3	10
				12.3	9
				11.3	8
				10.3	7
E	D	C	(B)	9.3	6
				(A)	極数 CIRCUITS

CONNECTOR SERIES No. 501331-***9

REVISED EC NO: J2010-0339 DRWN: TAKAGAWA01 2009/09/01 CHKD: MATSUMOTO 2009/09/01 APPR: HIRATA 2009/09/01	GENERAL TOLERANCES (UNLESS SPECIFIED)		DIMENSION STYLE MM ONLY		SCALE ---	DESIGN UNITS METRIC	THIRD ANGLE PROJECTION	
	10 UNDER	±0.2	DRAWN BY NYOSHIDA	DATE 2005/01/18	TITLE 1.0 WIRE TO BOARD CONN. WAFER ASS'Y (1-ROW S/T) EMBSTP PKG			
	10 OVER 30 UNDER	±0.25	CHECKED BY MYAGI	DATE 2005/01/18				
	30 OVER	±0.3	APPROVED BY ANODA	DATE 2005/01/18	MOLEX INCORPORATED			
	ANGULAR ±1 °		MATERIAL NO.	DOCUMENT NO.				
DRAFT WHERE APPLICABLE MUST REMAIN WITHIN DIMENSIONS		SEE SHEET 3		SD-501331-004		SHEET NO. 2 OF 3		

F

紫 VIOLET	橙 ORANGE	茶 BROWN	緑 GREEN	色 COLOR
501331-1597	501331-1587	501331-1577	501331-1567	15
501331-1497	501331-1487	501331-1477	501331-1467	14
501331-1397	501331-1387	501331-1377	501331-1367	13
501331-1297	501331-1287	501331-1277	501331-1267	12
501331-1197	501331-1187	501331-1177	501331-1167	11
501331-1097	501331-1087	501331-1077	501331-1067	10
501331-0997	501331-0987	501331-0977	501331-0967	9
501331-0897	501331-0887	501331-0877	501331-0867	8
501331-0797	501331-0787	501331-0777	501331-0767	7
501331-0697	501331-0687	501331-0677	501331-0667	6
EMBOSSSED PACKAGE	EMBOSSSED PACKAGE	EMBOSSSED PACKAGE	EMBOSSSED PACKAGE	極数
オーダー番号 ORDER NO.	オーダー番号 ORDER NO.	オーダー番号 ORDER NO.	オーダー番号 ORDER NO.	CIRCUITS

E

D

青 BLUE	黄 YELLOW	赤 RED	黒 BLACK	自然色 NATURAL	色 COLOR
501331-1547	501331-1537	501331-1527		501331-1507	15
501331-1447	501331-1437	501331-1427		501331-1407	14
501331-1347	501331-1337	501331-1327		501331-1307	13
501331-1247	501331-1237	501331-1227		501331-1207	12
501331-1147	501331-1137	501331-1127		501331-1107	11
501331-1047	501331-1037	501331-1027		501331-1007	10
501331-0947	501331-0937	501331-0927	501331-0917	501331-0907	9
501331-0847	501331-0837	501331-0827	501331-0817	501331-0807	8
501331-0747	501331-0737	501331-0727		501331-0707	7
501331-0647	501331-0637	501331-0627	501331-0617	501331-0607	6
EMBOSSSED PACKAGE	EMBOSSSED PACKAGE	EMBOSSSED PACKAGE	EMBOSSSED PACKAGE	EMBOSSSED PACKAGE	極数
オーダー番号 ORDER NO.	オーダー番号 ORDER NO.	オーダー番号 ORDER NO.	オーダー番号 ORDER NO.	オーダー番号 ORDER NO.	CIRCUITS

C

B

A

REVISED EC NO: J2010-0339 DRWN: TNAGAWA01 2009/09/01 CHKD: HMATSUMOTO 2009/09/01 APPR: HIRATA 2009/09/01	DESCRIPTION REV	GENERAL TOLERANCES (UNLESS SPECIFIED)		DIMENSION STYLE MM ONLY		SCALE ---	DESIGN UNITS METRIC	THIRD ANGLE PROJECTION	
		10 UNDER ±0.2	10 OVER 30 UNDER ±0.25	DRAWN BY NYOSHIDA	DATE 2005/01/18	TITLE 1.0 WIRE TO BOARD CONN. WAFER ASS'Y (1-ROW S/T) EMBSTP PKG			
		30 OVER ±0.3	ANGULAR ±1 °	CHECKED BY MYAGI	DATE 2005/01/18	MOLEX INCORPORATED			
		DRAFT WHERE APPLICABLE MUST REMAIN WITHIN DIMENSIONS		APPROVED BY ANODA	DATE 2005/01/18	MATERIAL NO. SEE TABLE	DOCUMENT NO. SD-501331-004	SHEET NO. 3 OF 3	