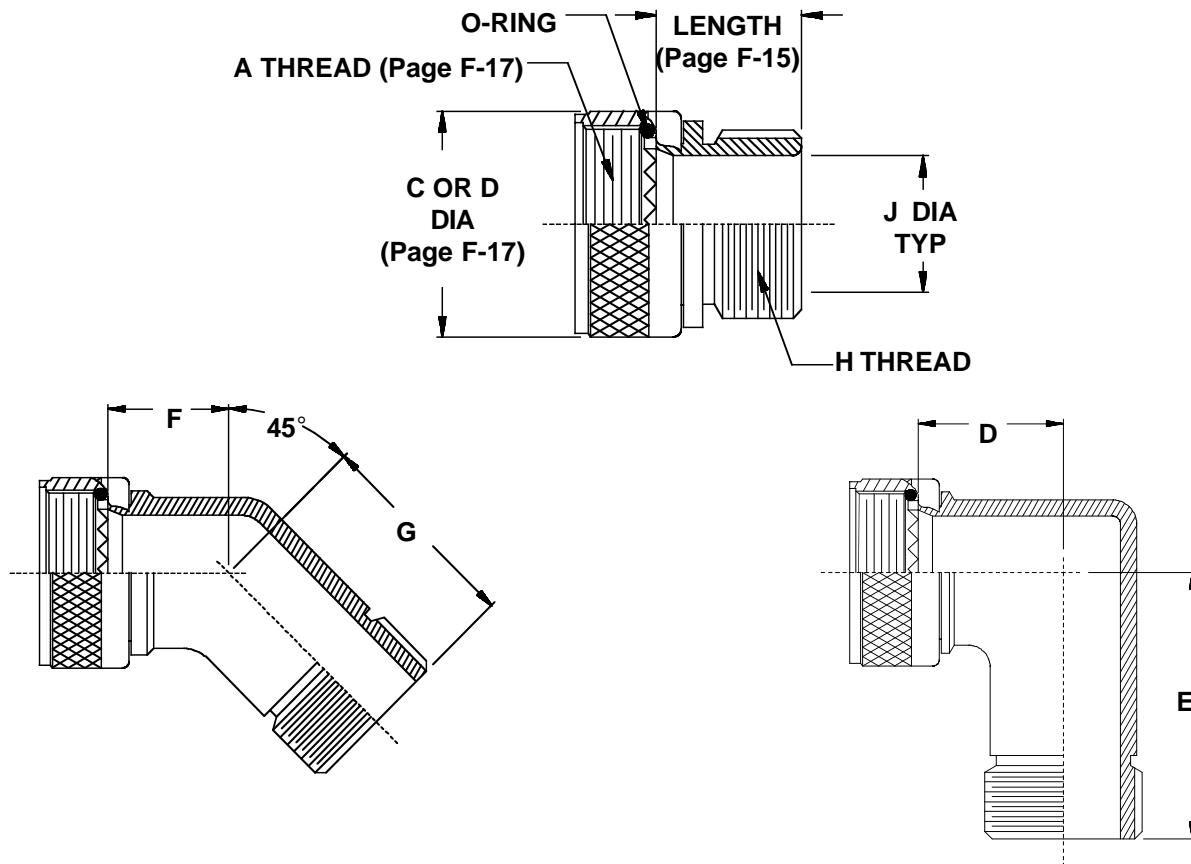
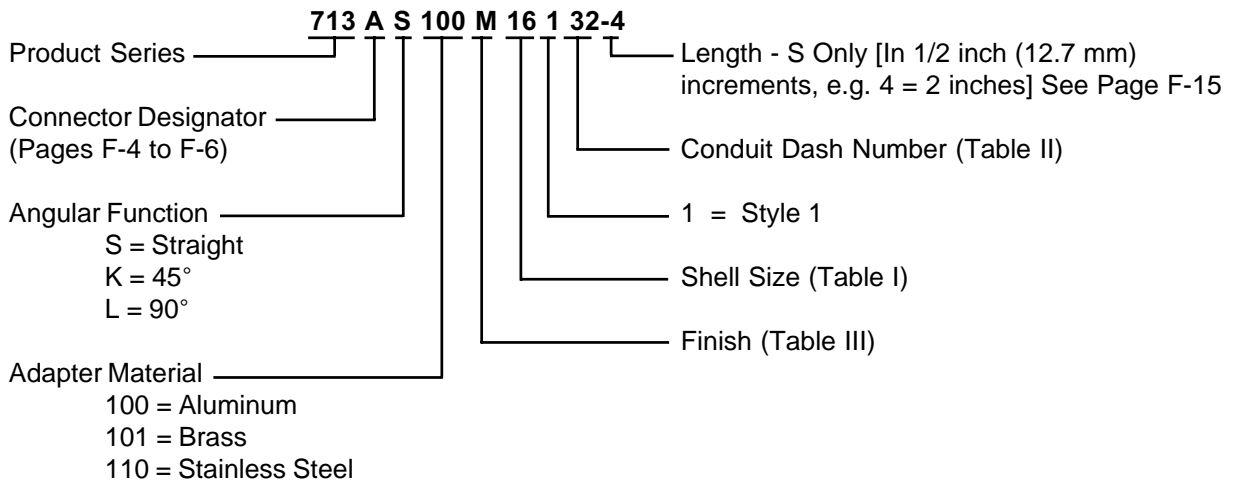




# 713-100 Metal Straight, 45°, and 90° Connector Adapters for Series 72 & 74 Tubing and Series 75 Conduit



Metric dimensions (mm) are in parentheses.

**713-100**  
**Metal Straight, 45°, and 90° Connector Adapters**  
**for Series 72 & 74 Tubing and Series 75 Conduit**



**TABLE I**

SHELL SIZE *	H	MAX CONDUIT DASH NO. REF **	D MAX	E MAX	F MAX	G MAX
08	09	08	.531 (13.5)	.781 (19.8)	.437 (11.1)	.625 (15.9)
10	11	12	.625 (15.9)	.906 (23.0)	.500 (12.7)	.656 (16.7)
12	13	16	.688 (17.5)	.906 (23.0)	.500 (12.7)	.719 (18.3)
14	15	20	.719 (18.3)	1.000 (25.4)	.562 (14.3)	.781 (19.8)
16	17	24	.906 (23.0)	1.062 (27.0)	.656 (16.7)	.844 (21.4)
18	19	24	.968 (24.6)	1.062 (27.0)	.656 (16.7)	.844 (21.4)
20	21	32	1.031 (26.2)	1.093 (27.8)	.719 (18.3)	.844 (21.4)
22	23	32	1.156 (29.4)	1.156 (29.4)	.812 (20.6)	.906 (23.0)
24	25	40	1.219 (31.0)	1.281 (32.5)	.812 (20.6)	.906 (23.0)
28		40	1.281 (32.5)	1.531 (38.9)	1.093 (27.8)	.906 (23.0)
32		48	1.593 (40.5)	1.719 (43.7)	1.093 (27.8)	1.219 (31.0)
36		64	1.718 (43.6)	1.906 (48.4)	1.156 (29.4)	1.281 (32.5)

\* Connector Designators **A-D-E-F-J-K-L-S**.

\*\* Dimensions D-E-F-G apply to connector Shell Size and Conduit Dash No. combinations listed. When larger Conduit Dash Numbers are selected, consult factory for dimensions.

**TABLE II**

CONDUIT DASH NO.	AVAILABILITY			H THREAD CLASS 2A	J DIA ± .015 (.4)
	72	74	75		
06		06		7/16 - 28 UNEF	.193 (4.9)
08			08	1/2 - 20 UNF	.255 (6.5)
09		09	09	9/16 - 24 UNEF	.286 (7.3)
10		10		9/16 - 24 UNEF	.317 (8.1)
12	12	12	12	5/8 - 24 UNEF	.380 (9.7)
14		14		11/16 - 24 UNEF	.442 (11.2)
16	16	16	16	3/4 - 20 UNEF	.505 (12.8)
20	20	20	20	7/8 - 20 UNEF	.630 (16.0)
24	24	24	24	1 - 20 UNEF	.755 (19.2)
28	28	28		1 3/16 - 18 UNEF	.880 (22.4)
32	32	32	32	1 5/16 - 18 UNEF	1.005 (25.5)
40	40	40	40	1 1/2 - 18 UNEF	1.255 (31.9)
48		48	48	1 3/4 - 18 UNS	1.505 (38.2)
56		56	56	2 - 18 UNS	1.755 (44.6)
64		64	64	2 1/4 - 16 UN	2.005 (50.9)
80			80	2 3/4 - 16 UN	2.505 (63.6)
***					

\*\*\* Consult factory for adapters using 3.000 inch (76.2) conduit

**TABLE III**

SYMBOL	FINISH
B	Olive Drab over Cadmium Plate
J	Gold Iridite over Cadmium Plate over Nickel
M	Electroless Nickel
N	Olive Drab over Cadmium Plate over Nickel
NC	Zinc Cobalt, Olive Drab
NF	Olive Drab over Cadmium Plate over Electroless Nickel (500 Hour Salt Spray)
T	Bright Dip Cadmium Plate over Nickel
Z1	Passivate