

PLEASE CHECK WWW.MOLEX.COM FOR LATEST PART INFORMATION

Part Number: **0528082570**
Status: **Active**
Overview:
Description: 1.00mm (.039") Pitch FFC/FPC Connector, SMT, Vertical, Non-ZIF Receptacle, 25 Circuits, Lead-free

General

Product Family FFC/FPC Connectors
 Series 52808
 Overview ffc_fpc_smt
 Product Name N/A

Physical

Circuits (Loaded) 25
 Circuits (maximum) 25
 Color - Resin Natural
 Contact Position N/A
 Durability (mating cycles max) 10
 Entry Angle N/A
 Mated Height (in) 0.199 In
 Mated Height (mm) 5.05 mm
 Material - Metal Phosphor Bronze
 Material - Plating Mating Tin-Bismuth
 Material - Plating Termination Tin-Bismuth
 Material - Resin High Temperature Thermoplastic
 Number of Rows 1
 Orientation Vertical
 PCB Locator No
 PCB Retention None
 Packaging Type Embossed Tape on Reel
 Pitch - Mating Interface (in) 0.039 In
 Pitch - Mating Interface (mm) 1.00 mm
 Pitch - Term. Interface (in) 0.039 In
 Pitch - Term. Interface (mm) 1.00 mm
 Plating min: Mating (µin) 40
 Plating min: Mating (µm) 1
 Plating min: Termination (µin) 40
 Plating min: Termination (µm) 1
 Polarized to PCB No
 Stackable No
 Surface Mount Compatible (SMC) Yes
 Temperature Range - Operating -20°C to +80°C
 Termination Interface: Style Surface Mount
 Wire/Cable Type FFC/FPC

Electrical

Current - Maximum per Contact 0.5A
 Voltage - Maximum 125V AC (RMS)/DC

Material Info

Reference - Drawing Numbers

Packaging Specification SPK-52808-001
 Product Specification PS-52808-004, RPS-52808-039, RPS-52808-044, RPS-52808-045, RPS-52808-047, RPS-52808-048, RPS-52808-049
 Sales Drawing SD-52808-027, SD-52808-028

EU RoHS

ELV and RoHS Compliant
REACH SVHC Contains SVHC: No
Halogen-Free Status

China RoHS



Not Reviewed

Need more information on product environmental compliance?

Email productcompliance@molex.com
 For a multiple part number RoHS Certificate of Compliance, [click here](#)

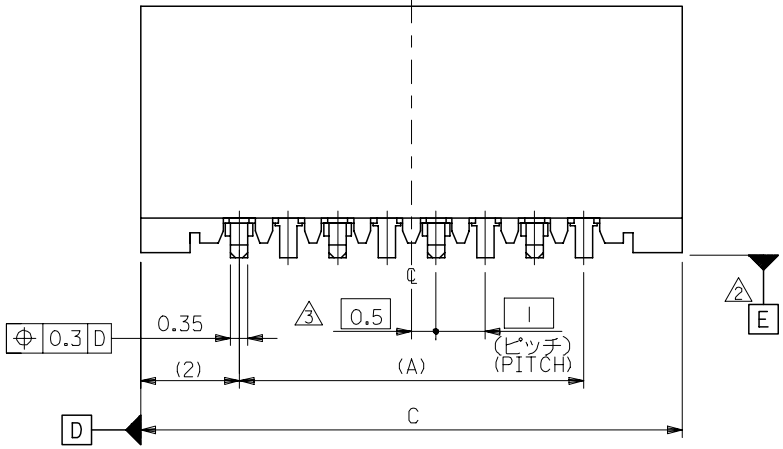
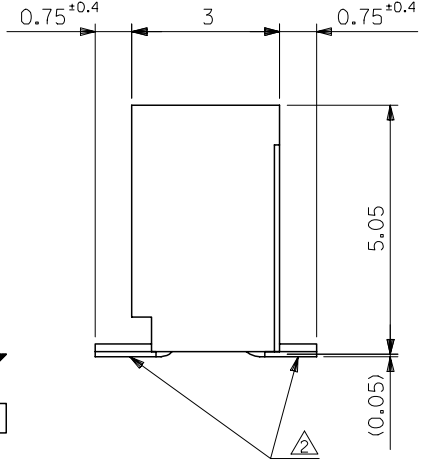
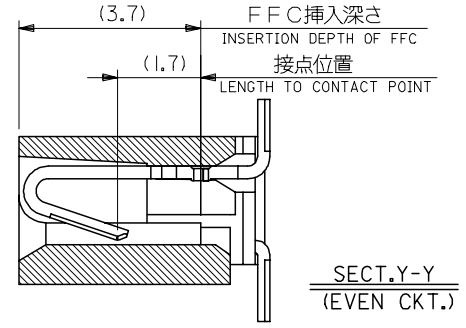
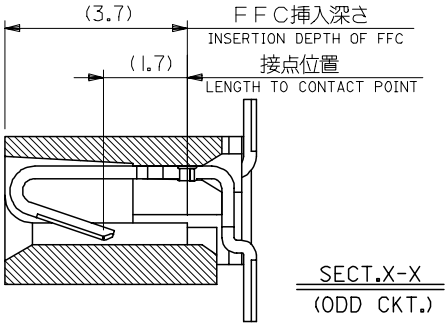
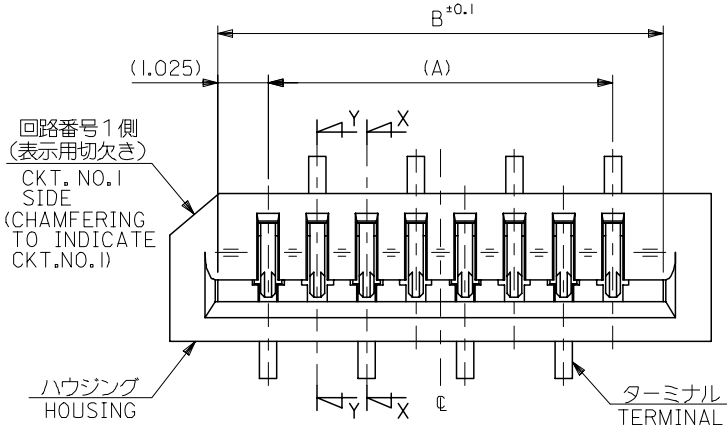
Please visit the [Contact Us](#) section for any non-product compliance questions.

Search Parts in this Series
 52808Series

This document was generated on 06/05/2010

PLEASE CHECK WWW.MOLEX.COM FOR LATEST PART INFORMATION

10 9 8 7 6 5 4 3 2 1

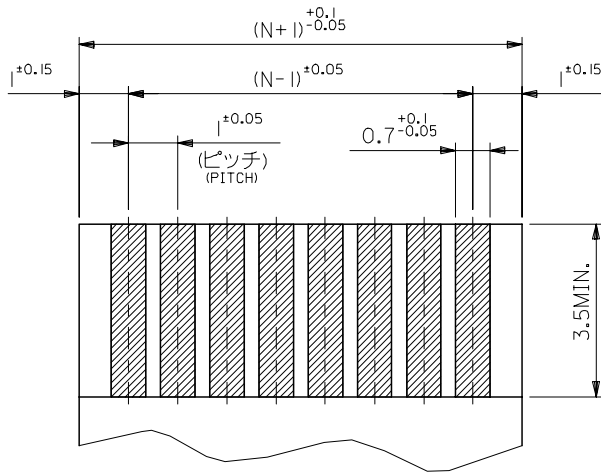


33	31.05	29	52808-3019	30
32	30.05	28	-2919	29
31	29.05	27	-2819	28
30	28.05	26	-2719	27
29	27.05	25	-2619	26
28	26.05	24	-2519	25
27	25.05	23	-2419	24
26	24.05	22	-2319	23
25	23.05	21	-2219	22
24	22.05	20	-2119	21
23	21.05	19	-2019	20
22	20.05	18	-1919	19
21	19.05	17	-1819	18
20	18.05	16	-1719	17
19	17.05	15	-1619	16
18	16.05	14	-1519	15
17	15.05	13	-1419	14
16	14.05	12	-1319	13
15	13.05	11	-1219	12
14	12.05	10	-1119	11
13	11.05	9	-1019	10
12	10.05	8	-0919	9
11	9.05	7	-0819	8
10	8.05	6	-0719	7
9	7.05	5	-0619	6
8	6.05	4	-0519	5
7	5.05	3	52808-0419	4

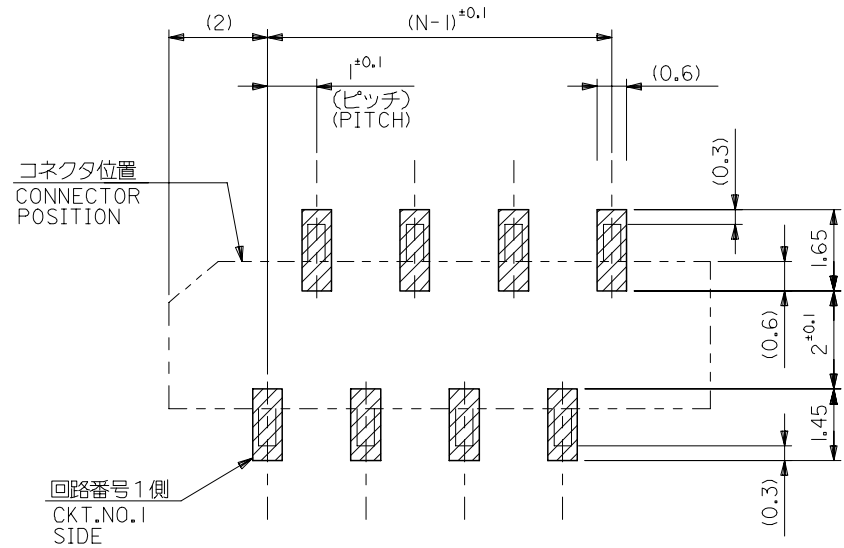
注記 NOTES:

1. 使用材料 MATERIAL
 ハウジング: PPS, UL94V-0 HOUSING : PPS, UL94V-0
 ターミナル: リン青銅 (±0.25) TERMINAL : PHOSPHOR BRONZE
 メッキ: ニッケル下地鍍ビスマスメッキ PLATING : TIN-BISMUTH OVER NICKEL
2. 基準面 [E] からのソルダーテールの半田付け面のズレ量は、
 上方向に0.1 MAX. 下方向0.15 MAX. とする。
 MISALIGNMENT OF SOLDER TAIL FROM [E]
 : UPPER DIRECTION 0.1 MAX. , LOWER DIRECTION 0.15 MAX.
3. 偶数極に適用。
 APPLY FOR EVEN CKT.
4. 本製品は52808-**-10の鉛フリー品である。
 THIS PRODUCT IS LEAD FREE OF 52808-**-10

REVISED EC NO: J2006-1497 DRW: NABE1 2005/11/04 CHK: KYOYODA 2005/11/07 APP: NUKITA 2005/11/11	DESCRIPTION	GENERAL TOLERANCES (UNLESS SPECIFIED)		DIMENSION STYLE MM ONLY		SCALE ---	DESIGN UNITS METRIC	THIRD ANGLE PROJECTION	
		10 UNDER	±0.2	DRAWN BY M. NABE1	DATE '04/02/19	TITLE 1.0 FFC CONN. NON ZIF SMT. ST. -LEAD FREE-			
		10 OVER 30 UNDER	±0.25	CHECKED BY M. SASAO	DATE '04/02/19	MATERIAL NO. 52808-**-19			
		30 OVER	±0.3	APPROVED BY M. SASAO	DATE '04/02/19	DOCUMENT NO. SD-52808-027			
ANGULAR ±3 °		DRAFT WHERE APPLICABLE MUST REMAIN WITHIN DIMENSIONS		SIZE A3		SHEET NO. 1 OF 1		INCORPORATED AND SHOULD NOT BE USED WITHOUT WRITTEN PERMISSION	



(仕上がり厚さ) $0.3^{+0.03}$
THICKNESS
適合FPC推奨寸法
APPLICABLE FPC
RECOMMENDED DIMENSION.



参考基板レイアウト (マウント面)
RECOMMENDED P.C.BOARD
PATTERN DIMENSION. (REF.)
(MOUNTING AREA)

FPCについて:

- 打抜き方向は、導体側から補強板側を推奨いたします。
- 補強フィルム材質は、ポリイミドを推奨いたします。
- 接着剤は、熱硬化接着剤を推奨いたします。

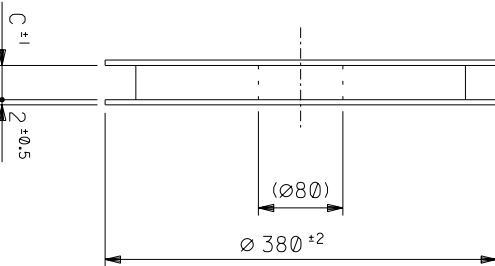
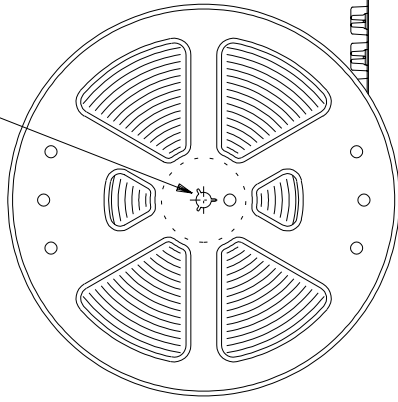
ABOUT FPC:

RECOMMENDED PUNCHER DIRECTION : FROM CONDUCTOR SIDE TO STIFFENER BOARD SIDE.

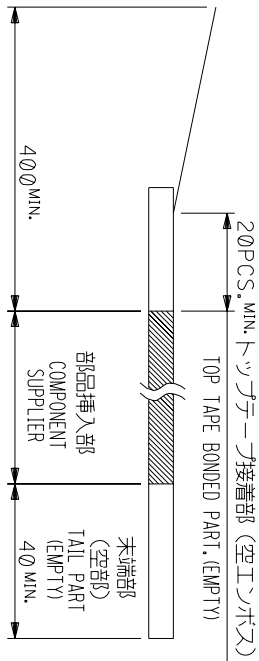
RECOMMENDED MATERIAL :
STIFFENER FILM : POLYIMIDE
BONDING AGENT : TERMOSETTING BONDING AGENT

REVISED EC NO: J2006-1497 DRW: NABEI 2005/11/04 CHK: KTOYODA 2005/11/07 APPR: NUKITA 2005/11/11 A	GENERAL TOLERANCES (UNLESS SPECIFIED)		DIMENSION STYLE MM ONLY		SCALE ---	DESIGN UNITS METRIC	THIRD ANGLE PROJECTION		
	10 UNDER	±0.2	DRAWN BY	DATE	TITLE				
	10 ⁰ OVER 30 UNDER	±0.25	CHECKED BY	DATE	1.0 FFC CONN. NON ZIF				
	30 ⁰ OVER	±0.3	APPROVED BY	DATE	SMT. ST.				
	ANGULAR	±3 °	MATERIAL NO.	DATE	-LEAD FREE-				
DRAFT WHERE APPLICABLE MUST REMAIN WITHIN DIMENSIONS		SEE CHART		DOCUMENT NO. SD-52808-027		SHEET NO. 2 OF 2			
THIS DRAWING CONTAINS INFORMATION THAT IS PROPRIETARY TO MOLEX INCORPORATED AND SHOULD NOT BE USED WITHOUT WRITTEN PERMISSION									

引き出し方向
PULL OUT



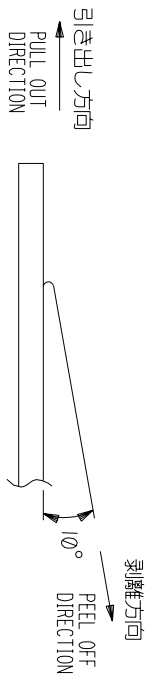
引き出し方向
PULL OUT
DIRECTION



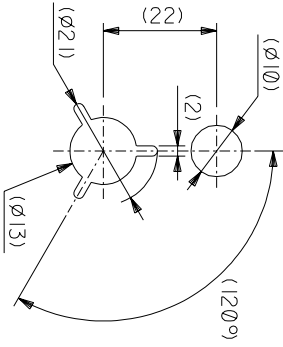
NOTES

- 製品詳細寸法については図面 SD-52808-027 を参照下さい。
RE DETAILED DIMENSION, SEE SD-52808-027
- 梱包数量: 1000個/リール
NUMBER OF CONNECTORS: 1000PCS/REEL
- リールテープ長さ LEAD TAPE LENGTH
20PCS. MIN. トッパテープ接着部 (空エンプティ)
TAIL PART (EMPTY) 40 MIN.

- トッパテープの剥離強度: 0.1 ~ 1.3N (10 ~ 130gf)
(剥離方向は下図参照)
尚、本規格値は出荷時に適用。(但し、輸送時に剥離が発生しないこと。)
PEELING OFF FORCE OF TOP TAPE: 0.1 ~ 1.3N (10 ~ 130gf)
(PEELING DIRECTION AS SHOWN IN FOLLOWING FIG.)
THIS REQUIREMENT SHOULD BE APPLIED AT SHIPMENT.
PEEL OFF SHOULD NOT BE ALLOWED, DURING TRANSPORTATION.



- 材料(MATERIAL)
キャリアテープ(CARRIER TAPE): ポリプロピレン(POLYPROPYLENE)
トッパテープ(TOPTAPE): PET, PE, PEF
リール(REELE): ポリスチレン(PS) <リサイクル材を含む>
POLYSTYRENE(PS) RECYCLE MATERIAL CONTAINED>
- 本製品は52808-**-90の鉛フリー品である。
THIS PRODUCT IS LEAD FREE OF 52808-**-90

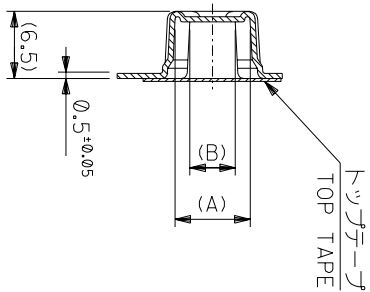


DETAIL "F"

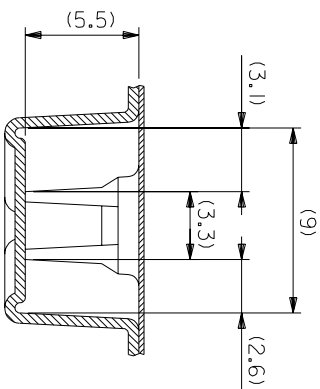
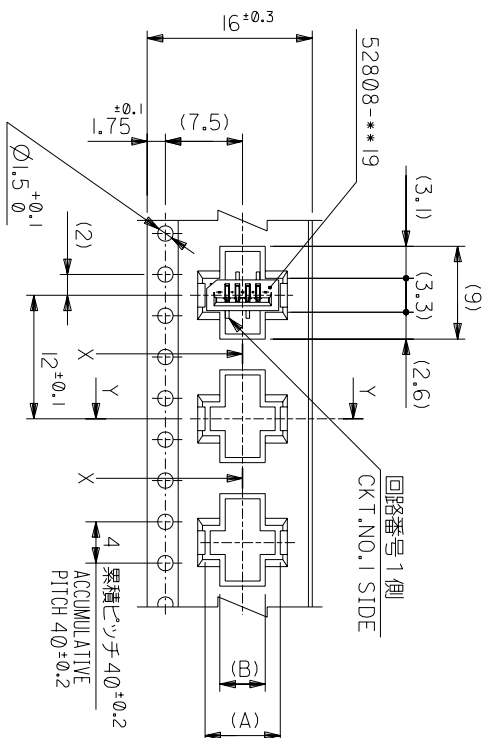
角度 ANGLE	±3°
30以上	±0.3
10以上 30未満	±0.25
10未満	±0.2

記号	0	変更内容	12004-2528	DR-CHK.	DATE	日付	尺度	SCALE	APP'D BY	CHK'D BY	REV
一般公差		12004-2528					M.SASAO		M.SASAO		
材料 MATERIAL	注記参照 SEE NOTES										
仕上がり FINISH	#										
適用電線範囲 WIRE RANGE	#										
検査外径 INS. RANGE	#										
材料	DRAWN BY 04/02/19 M.NABEI										
仕上がり	CHK'D BY 04/02/19 M.SASAO										
適用電線範囲	SCALE #										
検査外径	DWG. NO. SD-52808-028										
タイトル	MOLEX JAPAN CO., LTD. 日本モリス株式会社										
REVISE ONLY ON CAD SYSTEM	TITLE 名称 I.O FFC Conn NON ZIF SMT ST Embstd PKG -LEAD FREE-										
52808-**-70	MODEL NO.										
52808-**-90	MODEL NO.										

THIS DRAWING CONTAINS INFORMATION THAT IS PROPRIETARY TO MOLEX/JAPAN AND SHOULD NOT BE USED WITHOUT WRITTEN PERMISSION. 本図面は日本モリス(株)の所有する権利を有するため、当社の許可なく複製を禁止する。



SECT:Y-Y



16mm幅キャリアテープ
16mm WIDTH CARRIER TAPE

角度 ANGLE	±3°
30以上	±0.2
10以下	±0.25
10 UNDER	±0.2
30 UNDER	±0.2

記号	新規作成	02004-2528
TR	変更内容	
GENERAL	REVISION RECORD	

DR-CHK.	DATE
M.S.	M/W/02/19
MAN	CHK'D BY M/SASAO
APP'D BY	SCALE
M.SASAO	

MODEL NO. 52808-**-70

CARRIER TAPE WIDTH 16

5.4 17.5 4.4

8.3 52808-0570 5
7.3 52808-0470 4
(A) MATERIAL NO. 種数

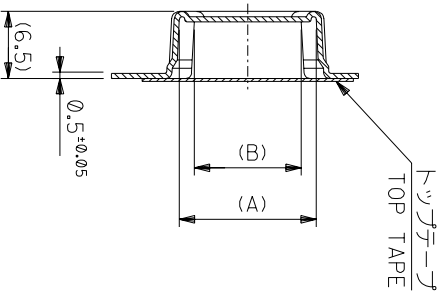
材料 MATERIAL SHEET 1 OF 6 参照
REFER TO SHEET 1 OF 6

仕上げ FINISH #
適用電線範囲 適用電線範囲
標準外径 標準外径
INS. RANGE 標準外径

REVISE ONLY ON CAD SYSTEM
TITLE 名称
I.O FFC CONN NON ZIF
SMT ST Embstd PKG
-LEAD FREE-

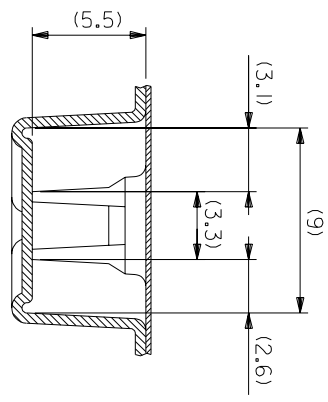
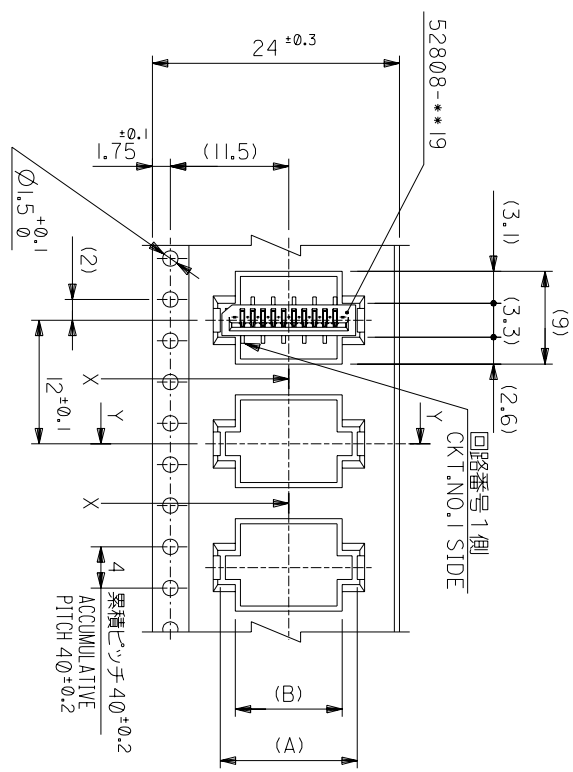
DWG. NO. SD-52808-028 (SHEET 2 OF 6)
REV 0

THIS DRAWING CONTAINS INFORMATION THAT IS PROPRIETARY TO MOLEX(JAPAN) AND SHOULD NOT BE USED WITHOUT WRITTEN PERMISSION
本図面は日本モリス(株)の所有する情報を含むもので 当社の許可なく複製を禁止する。



SECT:Y-Y

24mm幅キヤリヤテープ
24mm WIDTH CARRIER TAPE



SECT:X-X
(SCALE:4-1)

MODEL NO.	52808-**70	キャリアテープ幅 CARRIER TAPE WIDTH	C	(B)	(A)	種数 CKT.
	24	25.5	10.4	13.3	52808-1070	10
			9.4	12.3	52808-0970	9
			8.4	11.3	52808-0870	8
			7.4	10.3	52808-0770	7
			6.4	9.3	52808-0670	6

材料 MATERIAL SHEET 10F 6 参照 REFER TO SHEET 10F 6
仕上げ FINISH #
適用電線範囲 WIRE RANGE #
検査外径 INS. RANGE #
DRAWN BY 04/02/19 CHK'D BY 04/02/19
M.NABE M.SASAO
APP'D BY 04/02/19 M.SASAO
SCALE #
REVISE ONLY ON CAD SYSTEM

角度 ANGLE

30 以上 未満 3°

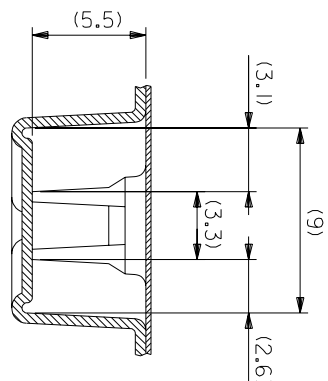
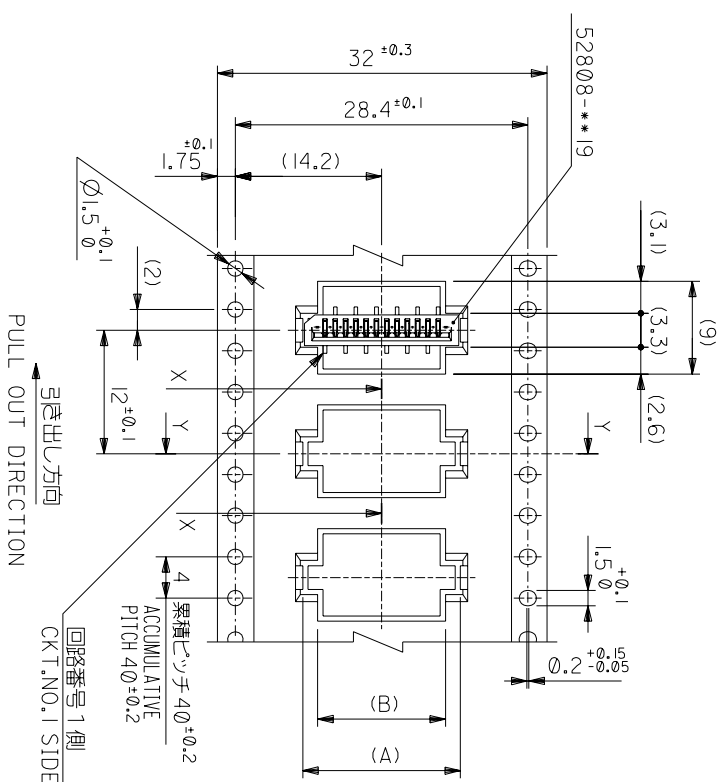
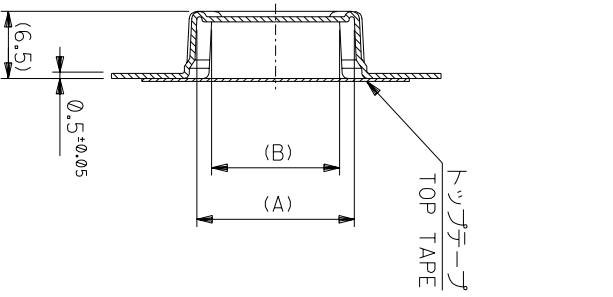
10 以上 未満 1.5

10 未満 0.2

一般公差 GENERAL TOLERANCES

記号 LTR	0	新規作成 (2004-2528)	DR-CHK.	DATE	尺 寸	スケール	DWG. NO.	SD-52808-028	REV	0
変更内容 REVISION RECORD							(SHEET 3 OF 6)			

THIS DRAWING CONTAINS INFORMATION THAT IS PROPRIETARY TO MOLEX(JAPAN) AND SHOULD NOT BE USED WITHOUT WRITTEN PERMISSION
本図面は日本モリス(株)の所有する権利を有するもので 当社の許可なく複製を禁止する。



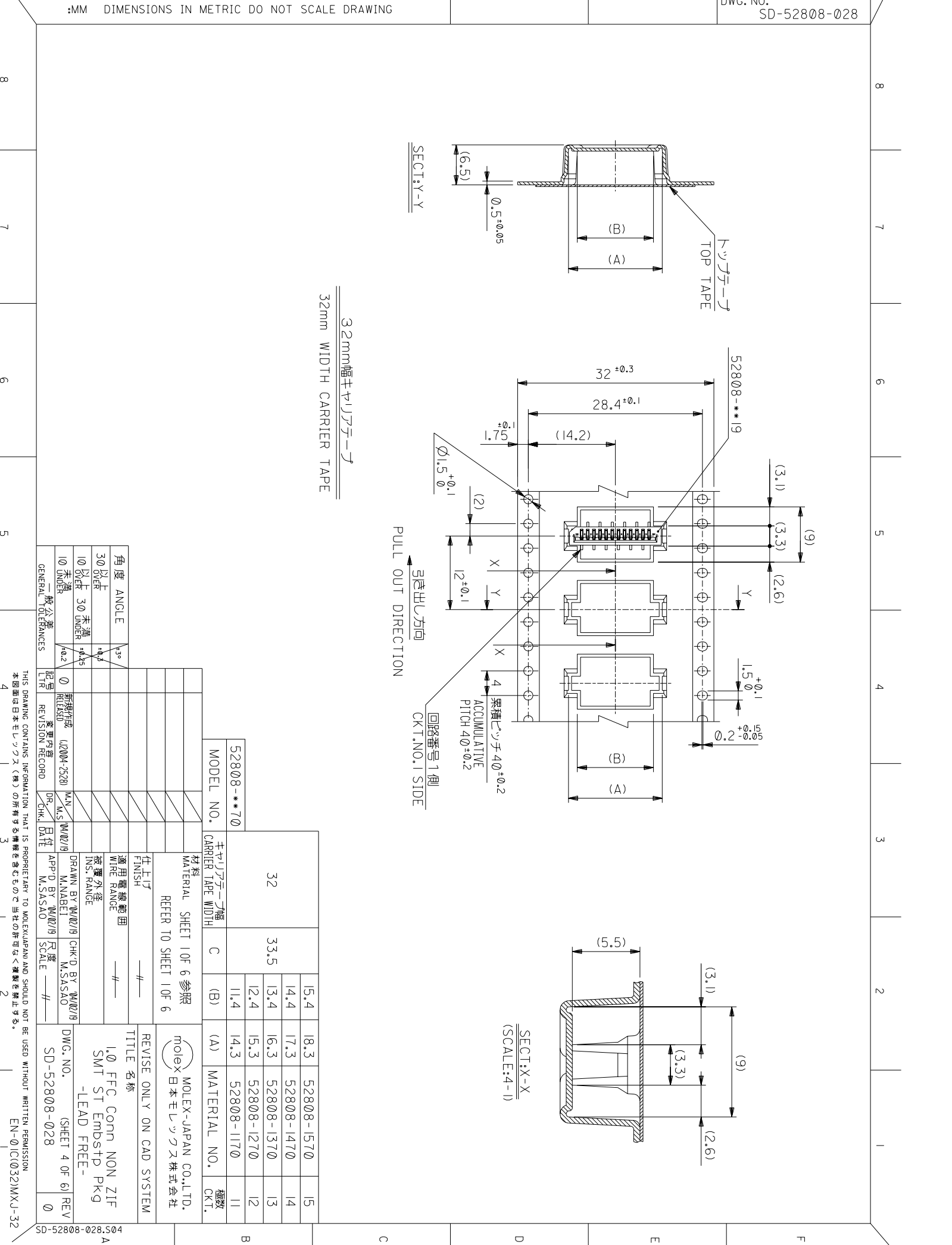
32mm幅キヤリテープ
32mm WIDTH CARRIER TAPE

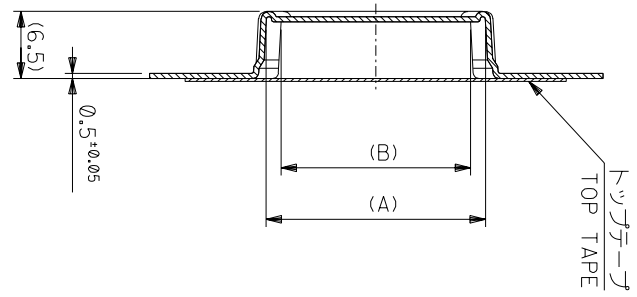
MODEL NO.	キャリアテープ幅 CARRIER TAPE WIDTH	C	(B)	(A)	種数 CKT.
52808-**70	32	33.5	15.4	18.3	15
			14.4	17.3	14
			13.4	16.3	13
			12.4	15.3	12
			11.4	14.3	11

材料 MATERIAL SHEET 1 OF 6 参照 REFER TO SHEET 1 OF 6	仕上げ FINISH	適用電線範囲 WIRE RANGE	検査外径 INS. RANGE	DRAWN BY: 04/02/19 M.NABEI	CHK'D BY: 04/02/19 M.SASAO	尺 SCALE	APP'D BY: 04/02/19 M.SASAO	DATE	DR-CHK.	MAN. DATE	REVISION RECORD	記号 LTR	新規作成 REVISION	変更内容 REVISION	一般公差 GENERAL TOLERANCES	角度 ANGLE
---	---------------	----------------------	--------------------	-------------------------------	-------------------------------	------------	-------------------------------	------	---------	-----------	-----------------	-----------	------------------	------------------	----------------------------	-------------

角 TITLE	角 TITLE	角 TITLE	角 TITLE	角 TITLE	角 TITLE	角 TITLE	角 TITLE	角 TITLE	角 TITLE	角 TITLE	角 TITLE	角 TITLE	角 TITLE	角 TITLE	角 TITLE	角 TITLE
------------	------------	------------	------------	------------	------------	------------	------------	------------	------------	------------	------------	------------	------------	------------	------------	------------

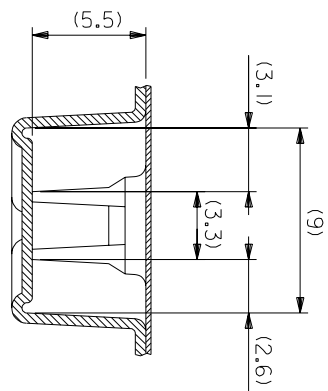
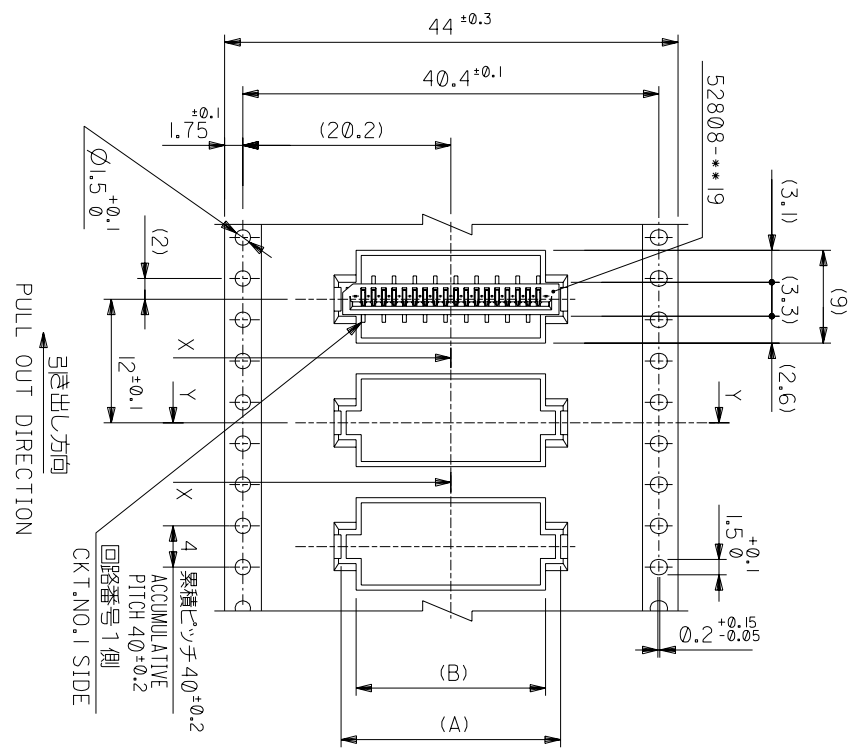
THIS DRAWING CONTAINS INFORMATION THAT IS PROPRIETARY TO MOLEX/JAPAN AND SHOULD NOT BE USED WITHOUT WRITTEN PERMISSION
 本図面は日本モリス(株)の所有する情報を含むもので 当社の許可なく複製を禁止する。





SECTION-Y-Y

44mm幅キリキャリアテープ
44mm WIDTH CARRIER TAPE

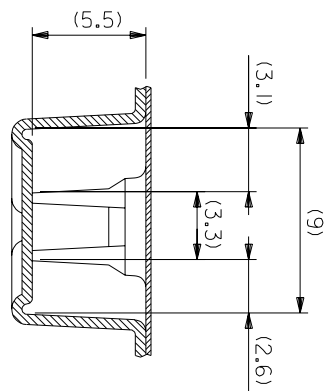
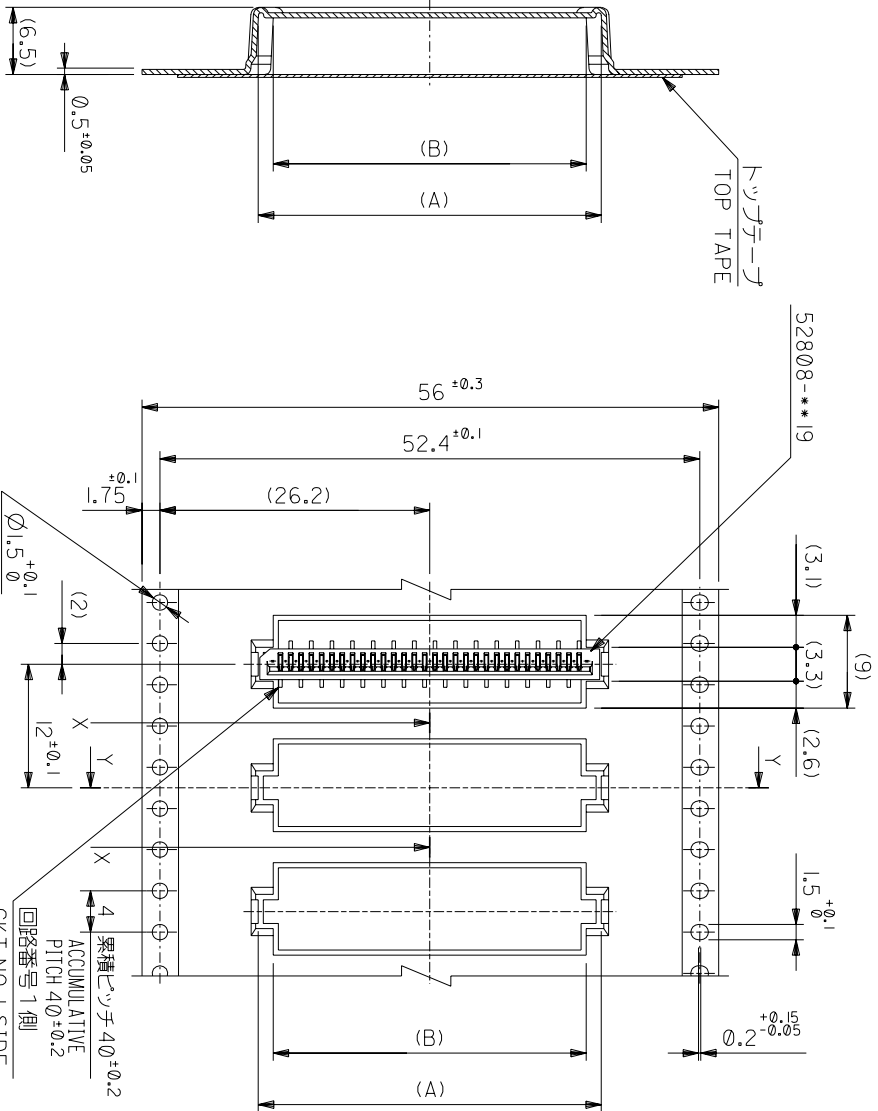


SECTION-X-X
(SCALE:4-1)

MODEL NO.	52808-***70	CARRIER TAPE WIDTH	44	45.5	MATERIAL NO.	種数 CKT.
MATERIAL SHEET 1 OF 6 参照 REFER TO SHEET 1 OF 6						
仕上げ FINISH						
適用電線範囲 WIRE RANGE						
被覆外径 INS. RANGE						
DRAWN BY 04/02/19 M.NABEI	CHK'D BY 04/02/19 M.SASAO	尺 SCALE				
APPR'D BY 04/02/19 M.SASAO						
積層ピッチ 40 ± 0.2 ACUMULATIVE PITCH 40 ± 0.2	回路番号 1個 CKT. NO. 1 SIDE					
角度 ANGLE	3°					
30 以上 INCH	1.8 ± 0.2					
10 以上 30 未満 INCH	1.4 ± 0.15					
10 未満 INCH	1.0 ± 0.2					

GENERAL TOLERANCES	角 度	3°	1.8 ± 0.2	1.4 ± 0.15	1.0 ± 0.2
記号	0	1	2	3	4
変更内容	新製作成 (12/04-25/28)				
DR-CHK.	DR-CHK.				
DATE	日付				
REVISION RECORD					
材料					
MATERIAL SHEET 1 OF 6 参照 REFER TO SHEET 1 OF 6					
仕上げ FINISH					
適用電線範囲 WIRE RANGE					
被覆外径 INS. RANGE					
DRAWN BY 04/02/19 M.NABEI	CHK'D BY 04/02/19 M.SASAO	尺 SCALE			
APPR'D BY 04/02/19 M.SASAO					
積層ピッチ 40 ± 0.2 ACUMULATIVE PITCH 40 ± 0.2	回路番号 1個 CKT. NO. 1 SIDE				
角度 ANGLE	3°				
30 以上 INCH	1.8 ± 0.2				
10 以上 30 未満 INCH	1.4 ± 0.15				
10 未満 INCH	1.0 ± 0.2				

THIS DRAWING CONTAINS INFORMATION THAT IS PROPRIETARY TO MOLEX(JAPAN) AND SHOULD NOT BE USED WITHOUT WRITTEN PERMISSION
本図面は日本モリス(株)の所有する情報を含むもので 当社の許可なく複製を禁止する。



SECT:Y-Y
56mm幅キヤリヤテープ
56mm WIDTH CARRIER TAPE

PULL OUT DIRECTION
引き出し方向

52808-**-70	MODEL NO.	56	CARRIER TAPE WIDTH
57.5	C	30.4	(A)
29.4	(B)	33.3	52808-3070
32.3	(A)	52808-2970	30
	MATERIAL NO.		種数
			29

角度 ANGLE	3°	仕上げ FINISH	—
30 以上	10.2	適用電線範囲	—
10 以下	4.25	標準外径	—
未測	0.2	INS. RANGE	—
10 以下	0.2	DRAWN BY	M/02/19
GENERAL TOLERANCES		CHK'D BY	M/02/19
記号	0	APP'D BY	M/SASAO
TR	0	REVISION RECORD	SCALE —/—
DR		DATE	
CHK.			

材料 MATERIAL SHEET 1 OF 6 参照 REFER TO SHEET 1 OF 6
MOLEX JAPAN CO.,LTD. MOLEX 日本モリスツクス株式会社
REVISE ONLY ON CAD SYSTEM
TITLE 名称
1.0 FFC Conn NON ZIF
SMT ST Embstp Pkg
-LEAD FREE-
DWG. NO. SD-52808-028 (SHEET 6 OF 6) REV 0
THIS DRAWING CONTAINS INFORMATION THAT IS PROPRIETARY TO MOLEX(JAPAN) AND SHOULD NOT BE USED WITHOUT WRITTEN PERMISSION
本図面は日本モリスツクス(株)の所有する情報を含むもので 当社の許可なく複製を禁止する。