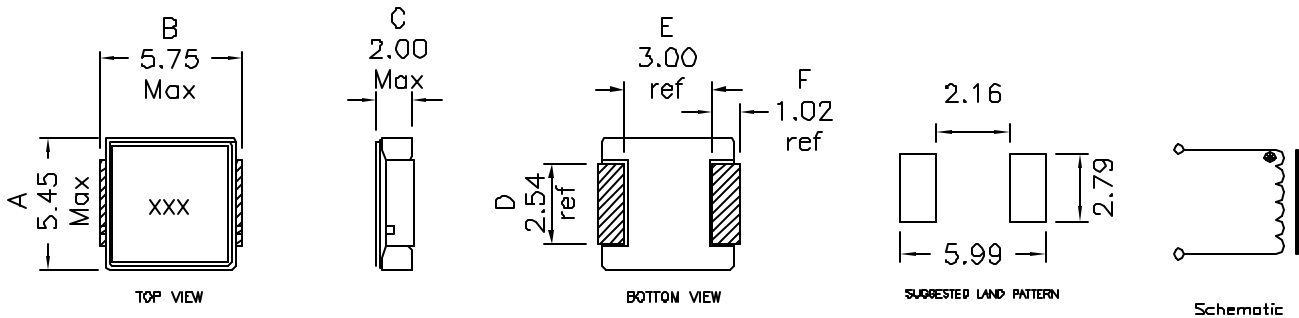


## XFHCL22-XXX SERIES LOW NOISE SHIELDED INDUCTORS

### Mechanical Dimensions:



TOLERANCE:  
 .xx ±0.25  
 Dimensions in MM

Part Number	INDUCTANCE ( $\mu\text{H} \pm 20\%$ )	RDC (Typ) mOhms	RDC (Max) mOhms	Isat (A)	Irms (A)
XFHCL22-R10M	0.10	3.6	3.9	45	17
XFHCL22-R22M	0.22	4.9	5.2	22	15
XFHCL22-R33M	0.33	7.6	8.2	25	12
XFHCL22-R47M	0.47	8.9	9.4	21	11.5
XFHCL22-R68M	0.68	11.2	12.4	15	10
XFHCL22-1R0M	1.0	18.9	20.0	16	7
XFHCL22-2R2M	2.2	45.6	50.1	12.5	4.2
XFHCL22-3R3M	3.3	79.2	85.5	8.5	3.3
XFHCL22-4R7M	4.7	108	116.6	5.0	2.8
XFHCL22-5R6M	5.6	113	122	4.5	2.5
XFHCL22-6R8M	6.8	139	150	4.3	2.4
XFHCL22-100M	10.0	184	199	4.0	2.3

Notes:

1. Measurement frequency of Inductance value: at 100KHz,0.1V
2. Measurement ambient temperature of L,DCR and IDC: at 25°C
3. Isat: DC current at which the inductance drops 20%(typ) from its value without current
4. Irms: Average current for 40°C temperature rise form 25°C ambient(typ)
5. Inductance tolerance: M:±20%
6. Solderability: Leads shall meet MIL-STD-202G, Method 208H for solderability.
7. Flammability: UL94V-0
8. ASTM oxygen index: > 28%
9. Insulation System: Class F 155°C. UL file E151556
10. Operating Temperature Range: All listed parameters are to be within tolerance from -55°C to +125°C
11. Storage Temperature Range: -55°C to +125°C
12. Aqueous wash compatible
13. SMD Lead Coplanarity: ±0.004\*(0.102mm)
14. Electrical and mechanical specifications 100% tested
15. RoHS Compliant Component