

**PLEASE CHECK WWW.MOLEX.COM FOR LATEST PART INFORMATION**

**Part Number:** [0050650122](#)  
**Status:** **Active**  
**Overview:** [cgrid\\_sl\\_products](#)  
**Description:** 2.54mm (.100") Pitch, SL™ Single Row Wire-to-Wire Panel Mount, 22 Circuits

**Documents:**

[3D Model](#) [Packaging Specification \(PDF\)](#)  
[Drawing \(PDF\)](#) [RoHS Certificate of Compliance \(PDF\)](#)

**Agency Certification**

CSA	LR19980
TUV	R72081037
UL	E29179

**General**

Product Family	Accessories
Series	<a href="#">70104</a>
Component Type	Branch
Overview	<a href="#">cgrid_sl_products</a>
Product Name	SL™

**Physical**

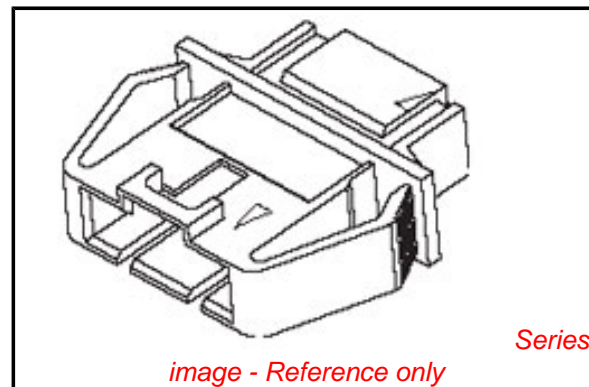
Circuits (Loaded)	22
Color - Resin	Black
Flammability	94V-0
Lock to Mating Part	Yes
Material - Resin	Polyester
Packaging Type	Bag

**Material Info**

Old Part Number	70104-0021
-----------------	------------

**Reference - Drawing Numbers**

Sales Drawing	SD-70104-0003-0024
---------------	--------------------



**EU RoHS**

**ELV and RoHS  
Compliant**  
**REACH SVHC  
Not Reviewed**  
**Halogen-Free  
Status  
Not Reviewed**

**China RoHS**



**Need more information on product  
environmental compliance?**

Email [productcompliance@molex.com](mailto:productcompliance@molex.com)  
For a multiple part number RoHS Certificate of  
Compliance, [click here](#)

Please visit the [Contact Us](#) section for any  
non-product compliance questions.

**Search Parts in this Series**

[70104Series](#)

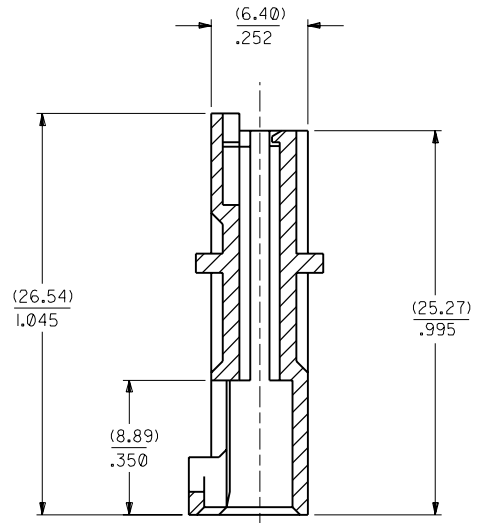
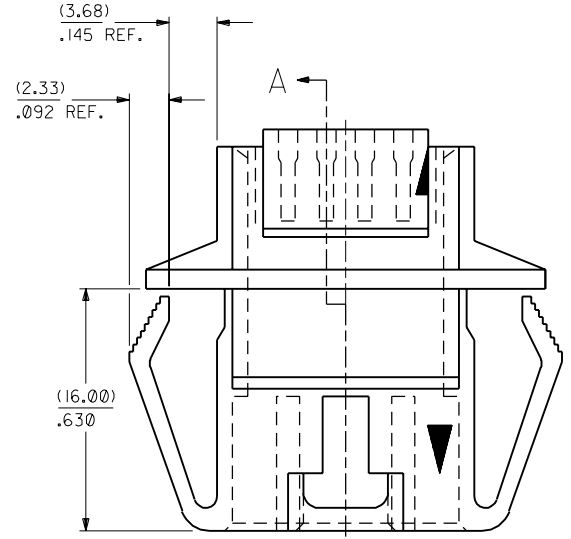
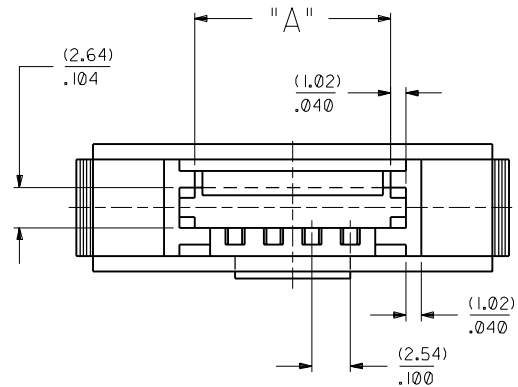
**Use With**

[70066](#) SL™ Crimp Housing. [70475](#) SL™  
IDT Connector Assembly. [70431](#) SL™ FFC/  
FPC Connector

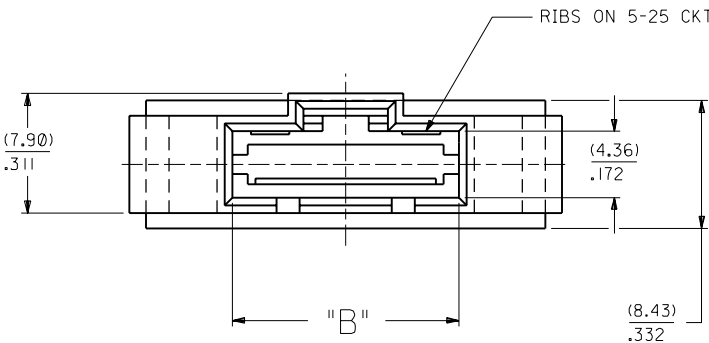
NOTES

- 1) MATERIAL : POLYESTER, 94V-0  
COLOR : BLACK
- 2) SEE CHART FOR CIRCUIT SIZES .
- 3) HOUSING TO BE USED WITH 70400 SERIES HOUSING (OPTION "D" & INTERIM CLIP 70004 (VERSION A)
- 4) PANEL THICKNESS (0.81)/.032 - (2.36)/.093
- 5) SEE SHEET 2 FOR MOUNTING HOLE DIMENSIONS .
- 6) PACKAGE PER PK-70104-100.

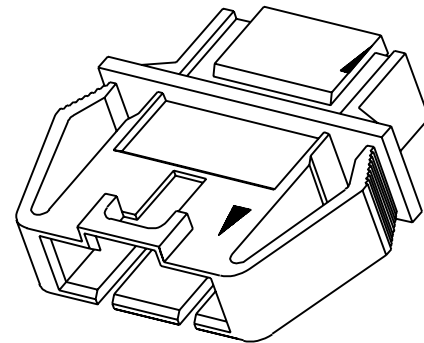
CKT. NO.	EDP. NO.	ENG. NO.	DIM. A	DIM. B
4	50-65-0104	70104-0003	(10.29) .405	(12.45) .490
5	50-65-0105	70104-0004	(12.83) .505	(14.99) .590
6	50-65-0106	70104-0005	(15.37) .605	(17.53) .690
7	50-65-0107	70104-0006	(17.91) .705	(20.07) .790
8	50-65-0108	70104-0007	(20.45) .805	(22.61) .890
9	50-65-0109	70104-0008	(22.99) .905	(25.15) .990
10	50-65-0110	70104-0009	(25.53) 1.005	(27.69) 1.090
11	50-65-0111	70104-0010	(28.07) 1.105	(30.23) 1.190
12	50-65-0112	70104-0011	(30.61) 1.205	(32.77) 1.290
13	50-65-0113	70104-0012	(33.15) 1.305	(35.31) 1.390
14	50-65-0114	70104-0013	(35.69) 1.405	(37.89) 1.490
15	50-65-0115	70104-0014	(38.23) 1.505	(40.39) 1.590
16	50-65-0116	70104-0015	(40.77) 1.605	(42.93) 1.690
17	50-65-0117	70104-0016	(43.31) 1.705	(45.47) 1.790
18	50-65-0118	70104-0017	(45.85) 1.805	(48.01) 1.890
19	50-65-0119	70104-0018	(48.39) 1.905	(50.55) 1.990
20	50-65-0120	70104-0019	(50.93) 2.005	(53.09) 2.090
21	50-65-0121	70104-0020	(53.47) 2.105	(55.63) 2.190
22	50-65-0122	70104-0021	(56.01) 2.205	(58.17) 2.290
23	50-65-0123	70104-0022	(58.55) 2.305	(60.71) 2.390
24	50-65-0124	70104-0023	(61.09) 2.405	(63.25) 2.490
25	50-65-0125	70104-0024	(63.63) 2.505	(65.79) 2.590



SECTION A-A

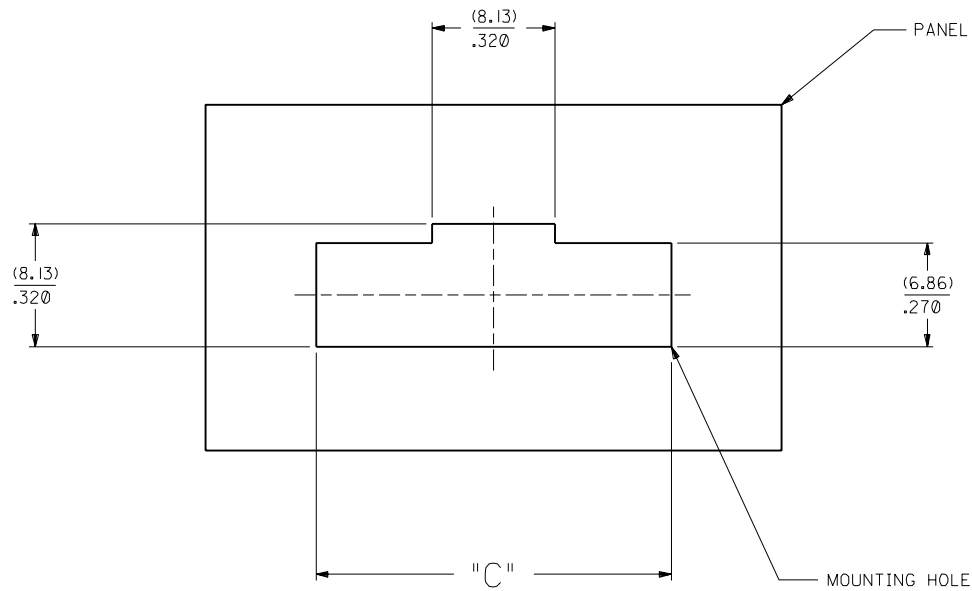


RIBS ON 5-25 CKT. ONLY



H REVISE PER ECR #L00070 4/27/88 MJM		DIMENSIONS SHOWN (METRIC) INCH UNLESS OTHERWISE SPECIFIED TOLERANCES: ANGULAR ± 1/2°		▽ = 0    ▼ = 0    REVISE ONLY ON CAD SYSTEM	
G REVISED RIBS AND DIM "A" PER E.C.R. #9776 06/11/87 MJM		INCH    METRIC 3 PLACE ± .010    --- 2 PLACE ± .014    ± 0.25 1 PLACE    ---    ± 0.35		TITLE HOUSING PANEL MOUNT (INTERIM CLIP TO OPT. "D" HSG.)	
I ADD PKG NOTE PER UDT2000-0468 SCHAFER 99/12/1		F REDRAWN ON CAD PER ECR # 9120 5/5/86 WZ		DRAFT WHERE APPLICABLE MUST REMAIN WITHIN DIMENSIONS	
LTR.    REVISIONS		LTR.    REVISIONS		DRWG. NO.    SHEET NO.    DATE SD-70104-0003-0024    1 OF 2    4/25/86	
		DRWG. BY: ME    CHK'D. BY: WZ APP'D. BY: RL    SCALE: 4 : 1		MOLEX INCORPORATED    SHEET NO.    DATE LISLE, ILL.    60532    U.S.A.    1 OF 2    4/25/86	
				FILE NAME    DIV. S70104X1    DA	
				THIS DRAWING CONTAINS INFORMATION THAT IS PROPRIETARY TO MOLEX INC. AND SHOULD NOT BE USED WITHOUT WRITTEN PERMISSION.	

NO P.S.



RECOMMENDED MOUNTING HOLE LAYOUT

CKT. NO.	EDP. NO.	ENG. NO.	DIM. C
4	50-65-0104	70104-0003	(20.95) / .825
5	50-65-0105	70104-0004	(23.49) / .925
6	50-65-0106	70104-0005	(26.03) / 1.025
7	50-65-0107	70104-0006	(28.57) / 1.125
8	50-65-0108	70104-0007	(31.11) / 1.225
9	50-65-0109	70104-0008	(33.65) / 1.325
10	50-65-0110	70104-0009	(36.19) / 1.425
11	50-65-0111	70104-0010	(38.73) / 1.525
12	50-65-0112	70104-0011	(41.27) / 1.625
13	50-65-0113	70104-0012	(43.81) / 1.725
14	50-65-0114	70104-0013	(46.35) / 1.825
15	50-65-0115	70104-0014	(48.89) / 1.925
16	50-65-0116	70104-0015	(51.43) / 2.025
17	50-65-0117	70104-0016	(53.97) / 2.125
18	50-65-0118	70104-0017	(56.51) / 2.225
19	50-65-0119	70104-0018	(59.05) / 2.325
20	50-65-0120	70104-0019	(61.59) / 2.425
21	50-65-0121	70104-0020	(64.13) / 2.525
22	50-65-0122	70104-0021	(66.67) / 2.625
23	50-65-0123	70104-0022	(69.21) / 2.725
24	50-65-0124	70104-0023	(71.75) / 2.825
25	50-65-0125	70104-0024	(74.29) / 2.925

LTR.	REVISIONS	LTR.	REVISIONS
		F	SEE SHEET 1

DIMENSIONS SHOWN (METRIC) INCH	
UNLESS OTHERWISE SPECIFIED TOLERANCES: ANGULAR 1/2°	
3 PLACE	± .005
2 PLACE	± .01 ± 0.13
1 PLACE	--- ± 0.25
DRAFT WHERE APPLICABLE MUST REMAIN WITHIN DIMENSIONS	
DRWG. BY: ME	CHK'D. BY: WZ
APP'D. BY: RL	SCALE: 4 : 1

MFG. SH. REV.		REVISE ONLY ON CAD SYSTEM	
TITLE: HOUSING PANEL MOUNT (INTERIM CLIP TO OPT. "G" HSG.)			
MOLEX INCORPORATED L15LEJLL 60532 U.S.A.		SHEET NO. 2	DATE 4/11/86
PART NO. SD-70104-0003-0024		DRWG. NO.	
FILE NAME: S70104X2		THIS DRAWING CONTAINS INFORMATION THAT IS PROPRIETARY TO MOLEX INC. AND SHOULD NOT BE USED WITHOUT WRITTEN PERMISSION.	