



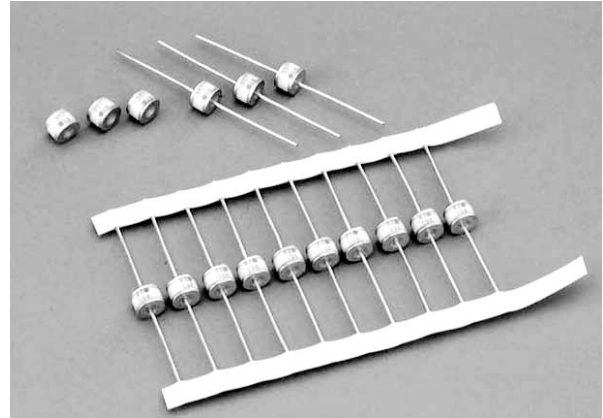
Safety Agency : Standard		Report NO.
UL	UL497B	E139599

**Features**

- Quick response for surge.
- High impulse current capacity.
- It can withstand alternating current.
- Excellent insulation resistance and small capacitance.
- Recommendation of ITU-T conformity.

**Applications**

- Telephone, PBX, Wireless base station, Optical transmission equipments, CATV transmission equipments, Fire alarm systems and Home security systems.



**Electrical Specifications (Low Voltage Type)**

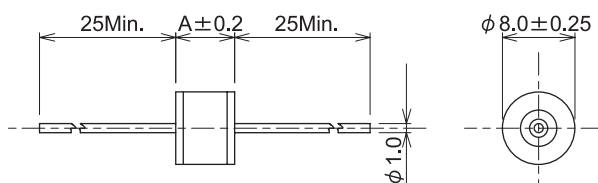
(Comforms to ITU-T)

Safety Agency	Model Number	DC Spark-Over Voltage 100V/s ~ 500V/s (V)	Impulse Spark-Over Voltage 100V/μs Max. (V)	Impulse Discharge Current 8/20μs (kA)	Alternating Discharge Current 50Hz/1sec. 10 times (A)	Impulse Life Test 10/1000μs 100A (times)	Insulation Resistance Min. (MΩ)	Capacitance Max. (pF)
	R28-900-BHL	90V±20%	450	10	10	300	10 <sup>4</sup>	1.5
	R28-151-BHL	150V±20%	500	10	10	300	10 <sup>4</sup>	1.5
	R28-231-BHL	230V±20%	600	10	10	300	10 <sup>4</sup>	1.5
	R28-251-BHL	250V±20%	600	10	10	300	10 <sup>4</sup>	1.5
	R28-301-BHL	300V±20%	650	10	10	300	10 <sup>4</sup>	1.5
	R28-351-BHL	350V±20%	750	10	10	300	10 <sup>4</sup>	1.5
	R28-401-BHL	400V±20%	800	10	10	300	10 <sup>4</sup>	1.5
	R28-471-BHL	470V±20%	900	10	10	300	10 <sup>4</sup>	1.5
R28-601-BHL	600V±20%	1300	10	10	300	10 <sup>4</sup>	1.5	

**Electrical Specifications (High Voltage Type)**


Model Number	DC Spark-Over Voltage 500V/s (V)	Impulse Discharge Current 8/20μs (kA)	Impulse Life Test 8/20μs 100A (times)	Insulation Resistance Min. (MΩ)	Capacitance Max. (pF)	Withstand Voltage test
R28-801-BHL	800V±20%	10	300	10 <sup>4</sup>	1.5	—
R28-102-BHL	1000V±20%	10	300	10 <sup>4</sup>	1.5	—
R28-152-BHL	1500V±20%	10	300	10 <sup>4</sup>	1.5	—
R28-242-BJL	2400V±20%	10	300	10 <sup>4</sup>	1.5	AC1250V 3s
R28-302-BKL	3000V±20%	10	300	10 <sup>4</sup>	1.5	AC1500V 60s
R28-362-BKL	3600V±20%	10	300	10 <sup>4</sup>	1.5	AC1800V 3s
R28-402-BKL	4000V±20%	10	300	10 <sup>4</sup>	1.5	AC2000V 60s
R28-452-BKL	4500V±20%	10	300	10 <sup>4</sup>	1.5	AC2000V 60s

*Dimensions*

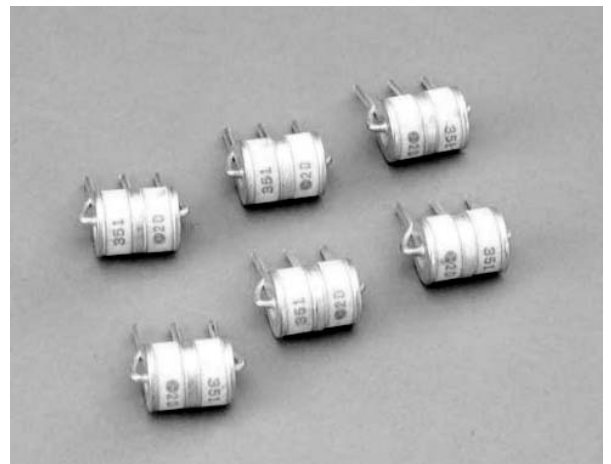
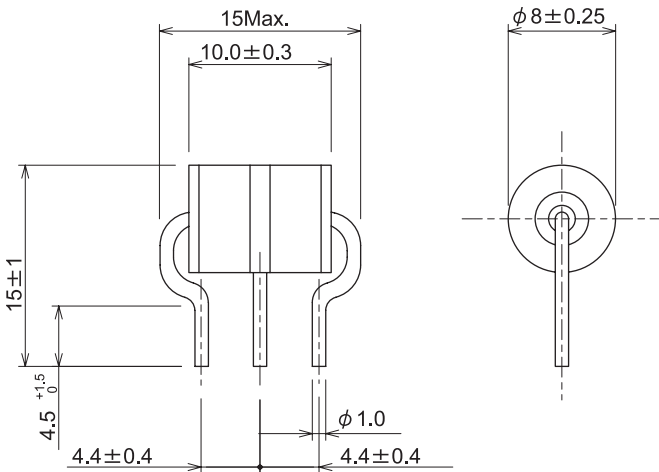


Model	A
R28-□□□-BHL	5.7
R28-□□□-BJL	6.05
R28-□□□-BKL	7.5

**Electrical Specifications**

Safety Agency	Model Number	DC Spark-Over Voltage 100V/s ~ 500V/s (V)	Impulse Spark-Over Voltage 100V/ $\mu$ s Max. (V)	Impulse Discharge Current 8/20 $\mu$ s (kA)	Alternating Discharge Current 50Hz/1sec. 10 times (A)	Impulse Life Test 10/1000 $\mu$ s 100A (times)	Insulation Resistance Min. (M $\Omega$ )	Capacitance Max. (pF)
	R38-900-BOL	90V $\pm$ 20%	450	10	10	300	10 <sup>4</sup>	1.5
	R38-231-BOL	230V $\pm$ 20%	600	10	10	300	10 <sup>4</sup>	1.5
	R38-251-BOL	250V $\pm$ 20%	600	10	10	300	10 <sup>4</sup>	1.5
	R38-351-BOL	350V $\pm$ 20%	750	10	10	300	10 <sup>4</sup>	1.5
	R38-421-BOL	420V $\pm$ 20%	900	10	10	300	10 <sup>4</sup>	1.5
	R38-601-BOL	600V $\pm$ 20%	1300	10	10	300	10 <sup>4</sup>	1.5

*Dimensions*



**Part Numbering Systems**

