

**PLEASE CHECK WWW.MOLEX.COM FOR LATEST PART INFORMATION**

**Part Number:** [0457190002](#)  
**Status:** **Active**  
**Overview:** edge card connectors  
**Description:** 12.90mm (.508") Pitch EXTreme PowerEdge™, Through Hole Solder for 3.18mm (.125") Thick PC Board, Mates to a 1.57mm (.062") Thick Card Edge or Bus Bar Tab

**Documents:**

[3D Model](#) [Product Specification PS-45719-001 \(PDF\)](#)  
[Drawing \(PDF\)](#) [RoHS Certificate of Compliance \(PDF\)](#)

**Agency Certification**

CSA LR19980  
TUV R72090228

**General**

Product Family Edge Card Connectors  
Series [45719](#)  
Component Type Edgecard to PCB  
Overview [edge card connectors](#)  
Product Name Bus Bar Socket, EXTreme PowerEdge™

**Physical**

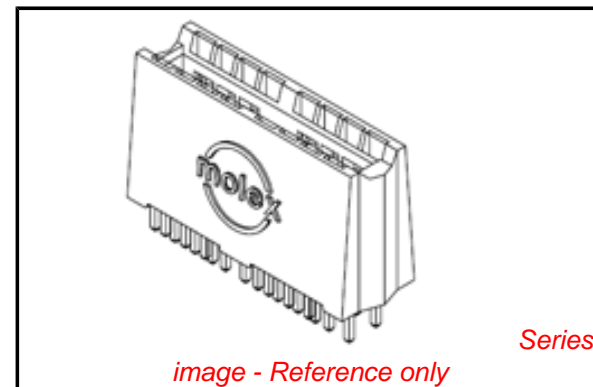
Circuits (Loaded) 6  
Circuits (maximum) 6  
Circuits Detail All Power  
Color - Resin Black  
Durability (mating cycles max) 200  
Entry Angle Vertical (Top Entry)  
Flammability 94V-0  
Keying to Mating Part N/A  
Material - Metal High Performance Alloy (HPA)  
Material - Plating Mating Gold  
Material - Plating Termination Tin  
Material - Resin High Temperature Thermoplastic  
PC Tail Length (in) 0.177 In  
PC Tail Length (mm) 4.50 mm  
PCB Thickness Recommended (in) 0.125 In  
PCB Thickness Recommended (mm) 3.20 mm  
Packaging Type Tray  
Pitch - Mating Interface (in) 0.508 In  
Pitch - Mating Interface (mm) 12.90 mm  
Plating min: Mating (µin) 30  
Plating min: Mating (µm) 0.75  
Plating min: Termination (µin) 150  
Plating min: Termination (µm) 3.75  
Temperature Range - Operating -40°C to +105°C  
Termination Interface: Style Through Hole

**Electrical**

Current - Maximum per Contact 40A  
Voltage - Maximum 250V

**Solder Process Data**

Duration at Max. Process Temperature (seconds) 5  
Lead-free Process Capability Wave Capable (TH only)  
Max. Cycles at Max. Process Temperature 1  
Process Temperature max. C 250



**EU RoHS**

**ELV and RoHS Compliant**  
**REACH SVHC**  
Not Reviewed  
**Halogen-Free Status**  
**Not Reviewed**

**China RoHS**



**Need more information on product environmental compliance?**

Email [productcompliance@molex.com](mailto:productcompliance@molex.com)  
For a multiple part number RoHS Certificate of Compliance, [click here](#)

Please visit the [Contact Us](#) section for any non-product compliance questions.

**Search Parts in this Series**

[45719Series](#)

**Mates With**

1.58mm (.062") double sided card edge or bus bar tab

## Material Info

### Reference - Drawing Numbers

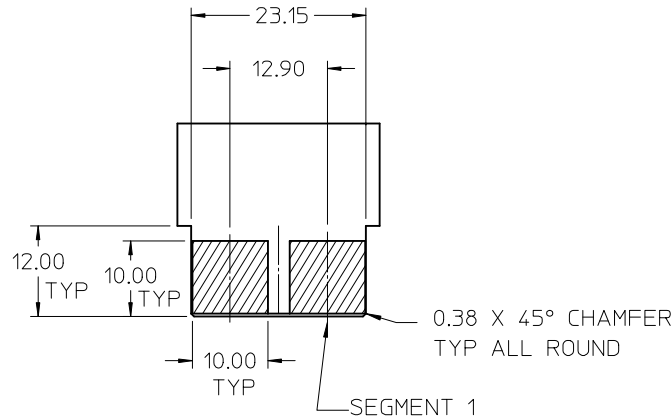
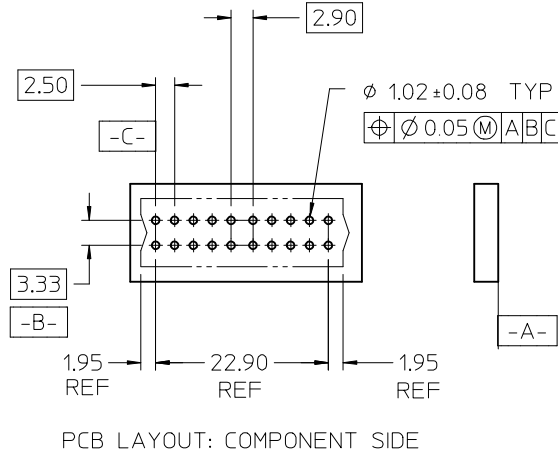
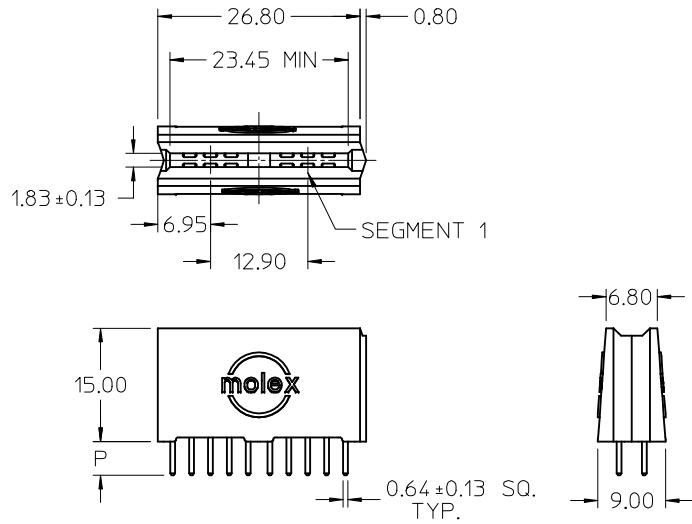
Packaging Specification	PK-45714-001
Product Specification	PS-45719-001
Sales Drawing	SD-45719-001

This document was generated on 06/04/2010

**PLEASE CHECK [WWW.MOLEX.COM](http://WWW.MOLEX.COM) FOR LATEST PART INFORMATION**

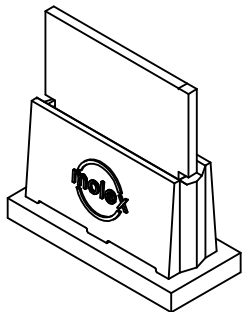
NOTES:

- HOUSING MATL: LCP, UL94V-0, COLOR BLACK  
TERMINAL MATL: COPPER ALLOY
- FINISH: SELECT GOLD: 30 M.I. MIN IN CONTACT AREA  
SELECT TIN: 150 M.I. MIN IN SOLDER AREA  
OVERALL NICKEL UNDERPLATE.
- PRODUCT SPECIFICATION: PS-45719-001.
- PACKAGING SPECIFICATION: PK-45714-001.
- PCB THICKNESS: SEE CHART
- EDGE CARD THICKNESS: 1.57±0.15
- DIMENSIONS GIVEN ACROSS CENTERLINES ARE SYMMETRICAL ABOUT THOSE CENTERLINES WITHIN HALF TOTAL TOLERANCE.
- VOIDED SEGMENTS DO NOT HAVE TERMINALS IN THE TOP OR BOTTOM ROW



RECOMMENDED EDGE CARD LAYOUT  
TOLERANCE: ±0.05

MATERIAL NUMBER	VOIDED SEGMENT	P	PCB THK
45719-0001	NONE	4.50	3.18
45719-2001	1		
45719-2002	2	3.63	2.36
45719-0004	NONE		
45719-2003	1	2.92	1.57
45719-2004	2		
45719-0007	NONE	2.92	1.57
45719-2005	1		
45719-2006	2		

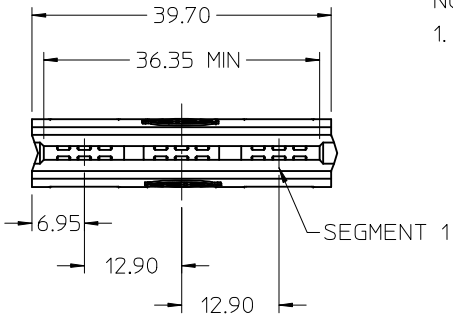


ADD PIN DIM & TOL	DESCRIPTION
EC NO: UCP2009-2476	2009/04/07
DRWN: JSCHAFFER	2009/04/07
CHKD:	2009/04/07
APPR: APATEL	2009/04/20
E1	REV

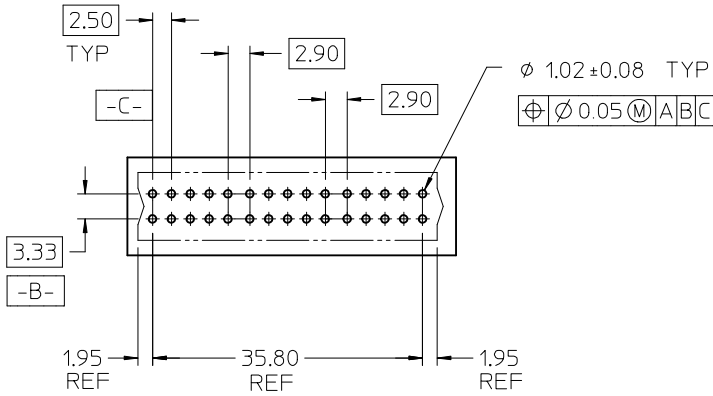
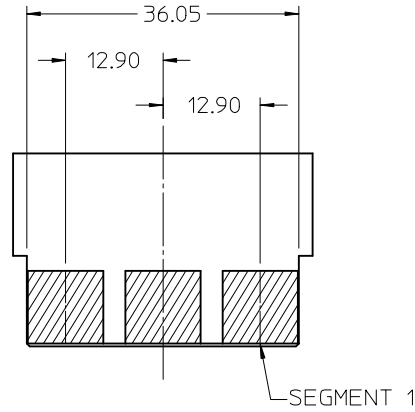
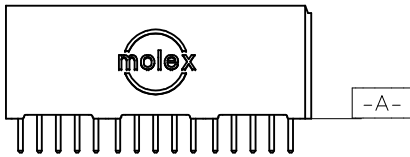
GENERAL TOLERANCES (UNLESS SPECIFIED)	
	mm INCH
4 PLACES	± --- ± ---
3 PLACES	± --- ± ---
2 PLACES	± 0.25 ± ---
1 PLACE	± 0.25 ± ---
ANGULAR ±1/2°	
DRAFT WHERE APPLICABLE MUST REMAIN WITHIN DIMENSIONS	

DIMENSION STYLE	
MM ONLY	
DRAWN BY	DATE
MARGUL IS	2003/11/11
CHECKED BY	DATE
MARGUL IS	2003/11/11
APPROVED BY	DATE
MARGUL IS	2003/11/11
SIZE	A

SCALE	DESIGN UNITS	THIRD ANGLE PROJECTION
1:1	METRIC	
TITLE		
POWER EDGE ASSEMBLY POWER VERTICAL SOLDER TAIL		
MOLEX INCORPORATED		
DOCUMENT NO.	SHEET NO.	
SD-45719-001	1 OF 3	
THIS DRAWING CONTAINS INFORMATION THAT IS PROPRIETARY TO MOLEX INCORPORATED AND SHOULD NOT BE USED WITHOUT WRITTEN PERMISSION		



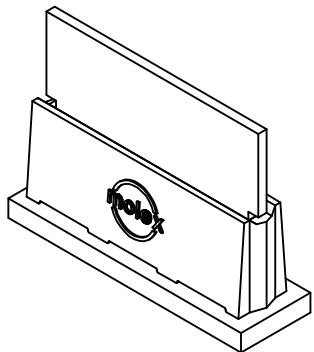
NOTES:  
1. FOR ALL OTHER DIMENSIONS AND NOTES SEE SHEET 1.



PCB LAYOUT: COMPONENT SIDE

RECOMMENDED EDGE CARD LAYOUT  
EDGE CARD TOLERANCE:  $\pm 0.05$

MATERIAL NUMBER	VOIDED SEGMENT	P	PCB THK
45719-0002	NONE	4.50	3.18
45719-3001	1		
45719-3002	2		
45719-3003	3		
45719-3004	1,2		
45719-3005	1,3		
45719-3006	2,3	3.63	2.36
45719-0005	NONE		
45719-3007	1		
45719-3008	2		
45719-3009	3		
45719-3010	1,2		
45719-3011	1,3	2.92	1.57
45719-3012	2,3		
45719-0008	NONE		
45719-3013	1		
45719-3014	2		
45719-3015	3		
45719-3016	1,2		
45719-3017	1,3		
45719-3018	2,3		



EC NO: UCP2009-2476	2009/04/07	DESCRIPTION
DRWN: JSCHAFFER	2009/04/07	
CHKD:	2009/04/07	
APPR: APATEL	2009/04/20	
E1	REV	

GENERAL TOLERANCES (UNLESS SPECIFIED)		
	mm	INCH
4 PLACES	$\pm \text{---}$	$\pm \text{---}$
3 PLACES	$\pm \text{---}$	$\pm \text{---}$
2 PLACES	$\pm 0.25$	$\pm \text{---}$
1 PLACE	$\pm 0.25$	$\pm \text{---}$
ANGULAR $\pm 1/2^\circ$		
DRAFT WHERE APPLICABLE MUST REMAIN WITHIN DIMENSIONS		

DIMENSION STYLE	
MM ONLY	
DRAWN BY	DATE
MARGUL IS	2003/11/11
CHECKED BY	DATE
MARGUL IS	2003/11/11
APPROVED BY	DATE
MARGUL IS	2003/11/11
SIZE	
A	

SCALE	DESIGN UNITS	THIRD ANGLE PROJECTION
1:1	METRIC	
TITLE		
POWER EDGE ASSEMBLY POWER VERTICAL SOLDER TAIL		
MOLEX INCORPORATED		
DOCUMENT NO.	SHEET NO.	
SD-45719-001	2	
THIS DRAWING CONTAINS INFORMATION THAT IS PROPRIETARY TO MOLEX INCORPORATED AND SHOULD NOT BE USED WITHOUT WRITTEN PERMISSION		

6

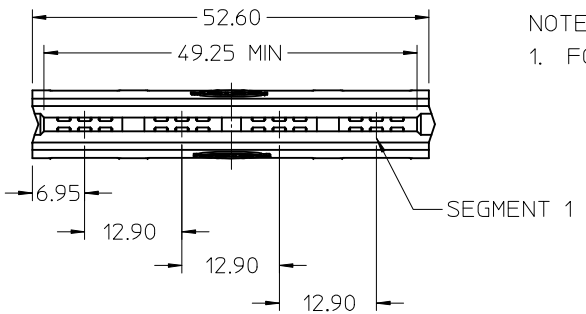
5

4

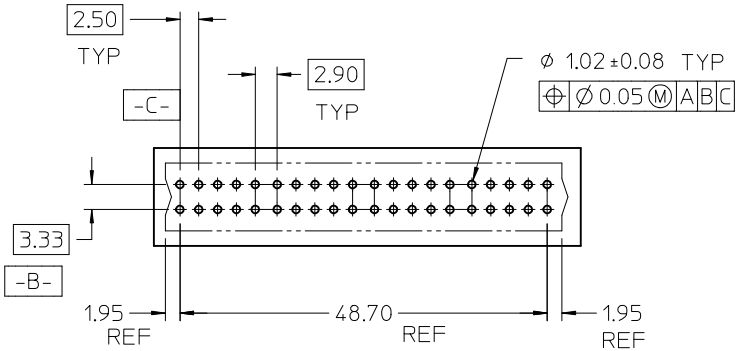
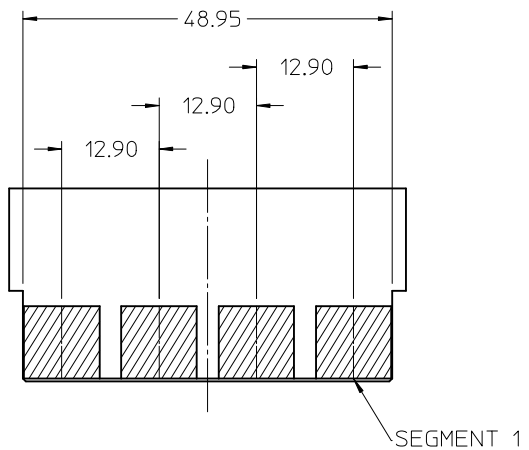
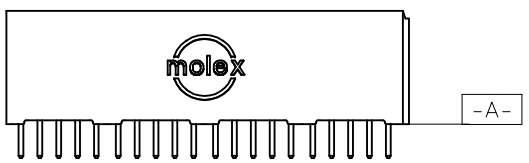
3

2

1



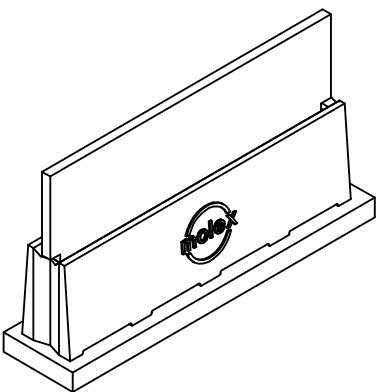
NOTES:  
1. FOR ALL OTHER DIMENSIONS AND NOTES SEE SHEET 1.



PCB LAYOUT: COMPONENT SIDE

RECOMMENDED EDGE CARD LAYOUT  
EDGE CARD TOLERANCE:  $\pm 0.05$

MATERIAL NUMBER	VOIDED SEGMENT	P	PCB THK
45719-0003	NONE	4.50	3.18
45719-4001	1		
45719-4002	2		
45719-4003	3		
45719-4004	4		
45719-4005	1,2		
45719-4006	1,3		
45719-4007	1,4		
45719-4008	2,3		
45719-4009	2,4		
45719-4010	3,4		
45719-0006	NONE	3.63	2.36
45719-4011	1		
45719-4012	2		
45719-4013	3		
45719-4014	4		
45719-4015	1,2		
45719-4016	1,3		
45719-4017	1,4		
45719-4018	2,3		
45719-4019	2,4		
45719-4020	3,4		
45719-0009	NONE	2.92	1.57
45719-4021	1		
45719-4022	2		
45719-4023	3		
45719-4024	4		
45719-4025	1,2		
45719-4026	1,3		
45719-4027	1,4		
45719-4028	2,3		
45719-4029	2,4		
45719-4030	3,4		



EC NO: UCP2009-2476	2009/04/07	DESCRIPTION
DRWN: JSCHAFFER	2009/04/07	
CHKD: APATEL	2009/04/20	
APPR: APATEL		
E1	REV	

GENERAL TOLERANCES (UNLESS SPECIFIED)		
	mm	INCH
4 PLACES	$\pm$ ---	$\pm$ ---
3 PLACES	$\pm$ ---	$\pm$ ---
2 PLACES	$\pm 0.25$	$\pm$ ---
1 PLACE	$\pm 0.25$	$\pm$ ---
ANGULAR $\pm 1/2^\circ$		
DRAFT WHERE APPLICABLE MUST REMAIN WITHIN DIMENSIONS		

DIMENSION STYLE	
MM ONLY	
DRAWN BY	DATE
MARGUL IS	2003/11/11
CHECKED BY	DATE
MARGUL IS	2003/11/11
APPROVED BY	DATE
MARGUL IS	2003/11/11
SIZE	
A	

SCALE	DESIGN UNITS	THIRD ANGLE PROJECTION
1:1	METRIC	
TITLE		
POWER EDGE ASSEMBLY POWER VERTICAL SOLDER TAIL		
molex MOLEX INCORPORATED		
DOCUMENT NO.	SHEET NO.	
SD-45719-001	3	
THIS DRAWING CONTAINS INFORMATION THAT IS PROPRIETARY TO MOLEX INCORPORATED AND SHOULD NOT BE USED WITHOUT WRITTEN PERMISSION		

5

4

3

2

1