

PLEASE CHECK WWW.MOLEX.COM FOR LATEST PART INFORMATION

Part Number: **0351790300**
Status: **Active**
Description: 7.40/8.00mm (.291/.315") Pitch, 6.35mm (.250") Tab Wire-to-Board Housing for Timer Application, Female, 3-4 Circuits

Documents:

[Drawing \(PDF\)](#) [RoHS Certificate of Compliance \(PDF\)](#)
[Product Specification PS-35179-002 \(PDF\)](#)

General

Product Family	Crimp Housings
Series	35179
Product Name	N/A

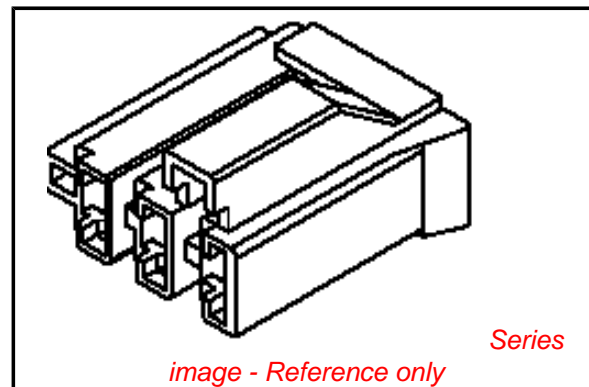
Physical

Circuits (maximum)	3
Gender	Female
Glow-Wire Compliant	No
Lock to Mating Part	Yes
Number of Rows	1
Packaging Type	Bag
Panel Mount	No
Pitch - Mating Interface (in)	0.291 In
Pitch - Mating Interface (mm)	7.40 mm
Stackable	No
Temperature Range - Operating	-40°C to +120°C

Material Info

Reference - Drawing Numbers

Product Specification	PS-35179-002
Sales Drawing	SD-35179-003



EU RoHS

**ELV and RoHS
Compliant**
REACH SVHC
 Not Reviewed
Halogen-Free
Status
 Not Reviewed

China RoHS



**Need more information on product
environmental compliance?**

Email productcompliance@molex.com
 For a multiple part number RoHS Certificate of Compliance, [click here](#)

Please visit the [Contact Us](#) section for any non-product compliance questions.

Search Parts in this Series

[35179Series](#)

Use With

[3572540*0](#)|[3572542*0](#)|[3572541*0](#)

DWG. NO.
SD-35179-003

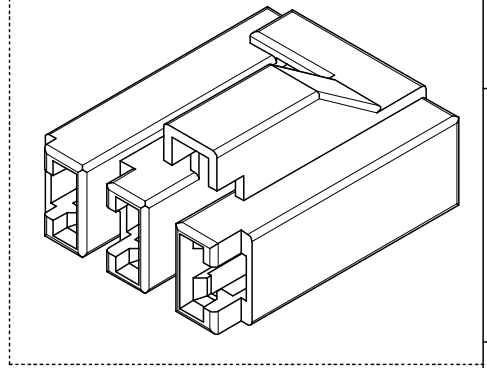
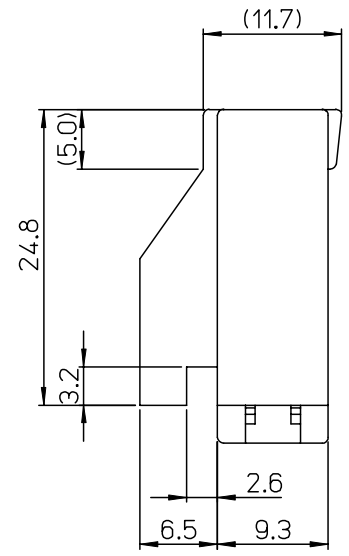
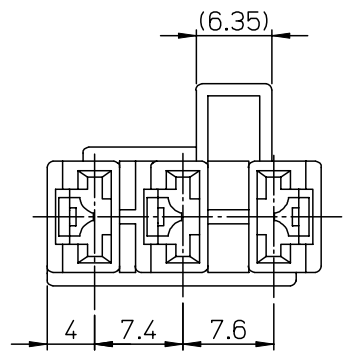
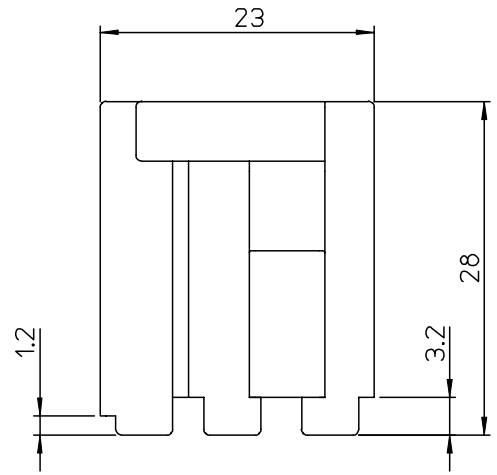
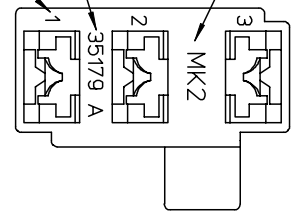
SIMILAR ITEM

PROJECT NO.

B

DO NOT SCALE DRAWING
DIMENSION IN METRIC

ENG.NO.(35179)
CAV.NO.(A,B,..)
CKT NO.
TRADE MARK
(MK2)



NOTES

1. MATERIAL : POLYESTER,UL94V-0
2. FINISH : NATURAL COLOR
3. APPLICABLE TERMINALS : 35725-40*0/41*0/42*0

REVISED ECN NO. KOR2006-0073 DRWN: J.B.JIN 05/12/19 CHK: W.Y.YANG APPR: S.H.CHOI	DESCRIPTION	QUALITY SYMBOLS MAJOR CRITICAL	GENERAL TOLERANCES: (UNLESS SPECIFIED)		SCALE 2:1	DESIGN UNITS <input checked="" type="checkbox"/> mm <input type="checkbox"/> INCH	THIRD ANGLE PROJECTION	DIMENSIONS: <input type="checkbox"/> mm <input type="checkbox"/> INCH <input checked="" type="checkbox"/> mm ONLY	SHT	REV
			4 PLACES ±0.	±-	±-	±-	DRAWN BY & DATE W.Y.YANG 00/01/13	TITLE: .250 W-t-B CONN.HOUSING-3P (FOR TIMER)		REVISE ON CAD ONLY
C	REV	DRAFT WHERE APPLICABLE MUST REMAIN WITHIN DIMENSIONS	3 PLACES ±0.	±-	±-	CHECKED BY & DATE B.K.CHOI 00/01/13	MOLEX INCORPORATED			
			2 PLACES ±0.30	±-	±-	APPROVED BY & DATE C.W.LEE 00/01/13	CAD FILENAME S35179AC.MI	MATERIAL NO. 351790300	DRAWING NO. SD-35179-003	SHEET NO. 1 OF 1
			1 PLACE ±0.30	±-	±-	THIS DRAWING CONTAINS INFORMATION THAT IS PROPRIETARY TO MOLEX INCORPORATED AND SHOULD NOT BE USED WITHOUT WRITTEN PERMISSION.				