

PLEASE CHECK WWW.MOLEX.COM FOR LATEST PART INFORMATION

Part Number: **0467430200**
Status: **Active**
Description: 1.20mm (.047") by 2.00mm (.079") Pitch HD Mezz™ Plug, 65 Circuits, 8.00mm (.314") Unmated Height, 7 Rows, Tin (Sn) Plating

Documents:

[3D Model](#) [Product Specification PS-45802-001 \(PDF\)](#)
[Drawing \(PDF\)](#) [RoHS Certificate of Compliance \(PDF\)](#)

General

Product Family	PCB Headers
Series	46743
Application	Board-to-Board
Comments	1.20mm (.047") Pitch Pin-to-Pin and 2.00mm (.079") Pitch Row-to-Row
Product Name	HD Mezz™

Physical

Breakaway	No
Circuits (Loaded)	65
Circuits (maximum)	65
Circuits Detail	65
Color - Resin	Black
Durability (mating cycles max)	100
First Mate / Last Break	No
Glow-Wire Compliant	No
Guide to Mating Part	Yes
Keying to Mating Part	None
Lock to Mating Part	Yes
Material - Metal	High Performance Alloy (HPA)
Material - Plating Mating	Gold
Material - Plating Termination	Tin
Material - Resin	High Temperature Thermoplastic
Number of Rows	7
Orientation	Vertical
PCB Locator	Yes
PCB Retention	Yes
Packaging Type	Tray
Pitch - Mating Interface (in)	0.047 In
Pitch - Mating Interface (mm)	1.20 mm
Pitch - Term. Interface (in)	0.047 In
Pitch - Term. Interface (mm)	1.20 mm
Plating min: Mating (µin)	30
Plating min: Mating (µm)	.75
Plating min: Termination (µin)	100
Plating min: Termination (µm)	2.5
Polarized to Mating Part	Yes
Polarized to PCB	Yes
Robotic Placement	Vacuum Pick-Up Clip
Shrouded	Closed Ends
Stackable	No
Surface Mount Compatible (SMC)	Yes
Temperature Range - Operating	-55°C to +105°C
Termination Interface: Style	Surface Mount

Electrical

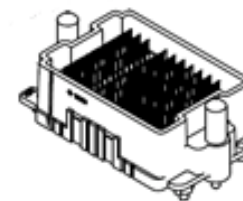


image - Reference only

Series

EU RoHS

ELV and RoHS Compliant
REACH SVHC
 Not Reviewed
Halogen-Free Status
 Not Reviewed

China RoHS



Need more information on product environmental compliance?

Email productcompliance@molex.com
 For a multiple part number RoHS Certificate of Compliance, [click here](#)

Please visit the [Contact Us](#) section for any non-product compliance questions.

Search Parts in this Series
 46743Series

Current - Maximum per Contact	2A
Voltage - Maximum	250V AC

Solder Process Data

Duration at Max. Process Temperature (seconds)	20
Lead-free Process Capability	Reflow Capable (SMT only)
Max. Cycles at Max. Process Temperature	2
Process Temperature max. C	260

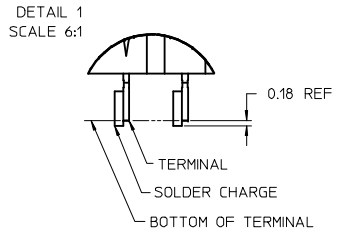
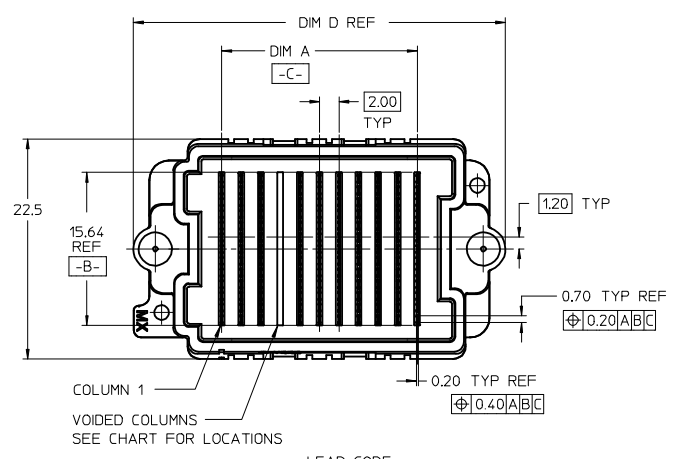
Material Info

Reference - Drawing Numbers

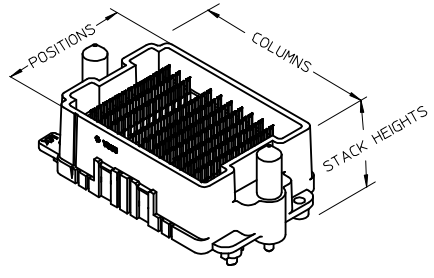
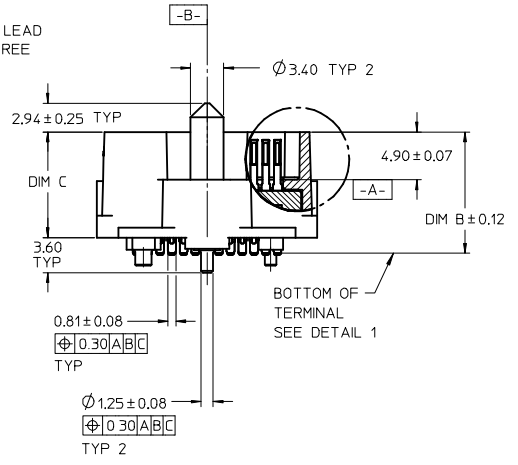
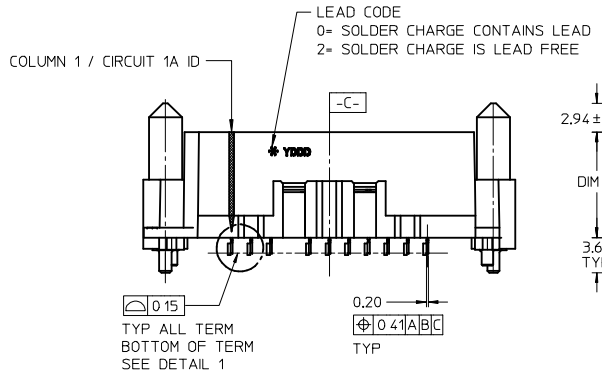
Product Specification	PS-45802-001
Sales Drawing	SD-46743-001

This document was generated on 03/24/2010

PLEASE CHECK WWW.MOLEX.COM FOR LATEST PART INFORMATION



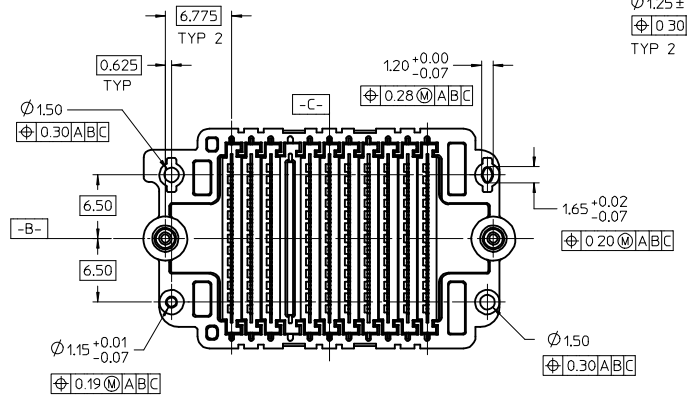
- NOTES:
- HOUSING MATERIAL: LCP, GLASS FILLED, UL94V-0, BLACK
CONTACT MATERIAL: HIGH PERFORMANCE ALLOY
GUIDE PIN MATERIAL: STAINLESS STEEL
SOLDER CHARGE MATERIAL: TIN OR TIN/LEAD SEE CHART
 - CONTACT FINISH: SELECT GOLD: 30 MI MIN IN CONTACT AREA
SELECT TIN: 100 MI MIN IN TAIL AREA BOTH OVER NICKEL
 - PRODUCT SPECIFICATION: PS-45802-001
 - COSMETIC SPECIFICATION: PS-45499-002 CLASS B
 - PACKAGING SPECIFICATION: PK-45830-001
 - C- IS THE CENTERLINE OF THE 2 END SLOTS. END SLOT CENTERLINES ARE ESTABLISHED USING 2 MEASUREMENTS FOR EACH SLOT TAKEN 7.28 EITHER SIDE -B-



AVAILABLE STACK HEIGHTS		
STACK HEIGHT	DIM B	DIM C
8mm	10.41	8.80
9mm	11.41	9.80
10mm	12.41	10.80
11mm	13.41	11.80
12mm	14.41	12.80
13mm	15.41	13.80
14mm	16.41	14.80
15mm	17.41	15.80
17mm	19.41	17.80
18mm	20.41	18.80

AVAILABLE COLUMNS		
NO OF ROWS	DIM A	DIM D
7	12.00	30.06
9	16.00	34.06
11	20.00	38.06
13	24.00	42.06
15	28.00	46.06
17	32.00	50.06
19	36.00	54.06
21	40.00	58.06
23	44.00	62.06
25	48.00	66.06
27	52.00	70.06

SEE SHEET 3 FOR COLUMN / POSITION NUMBERING SYSTEM



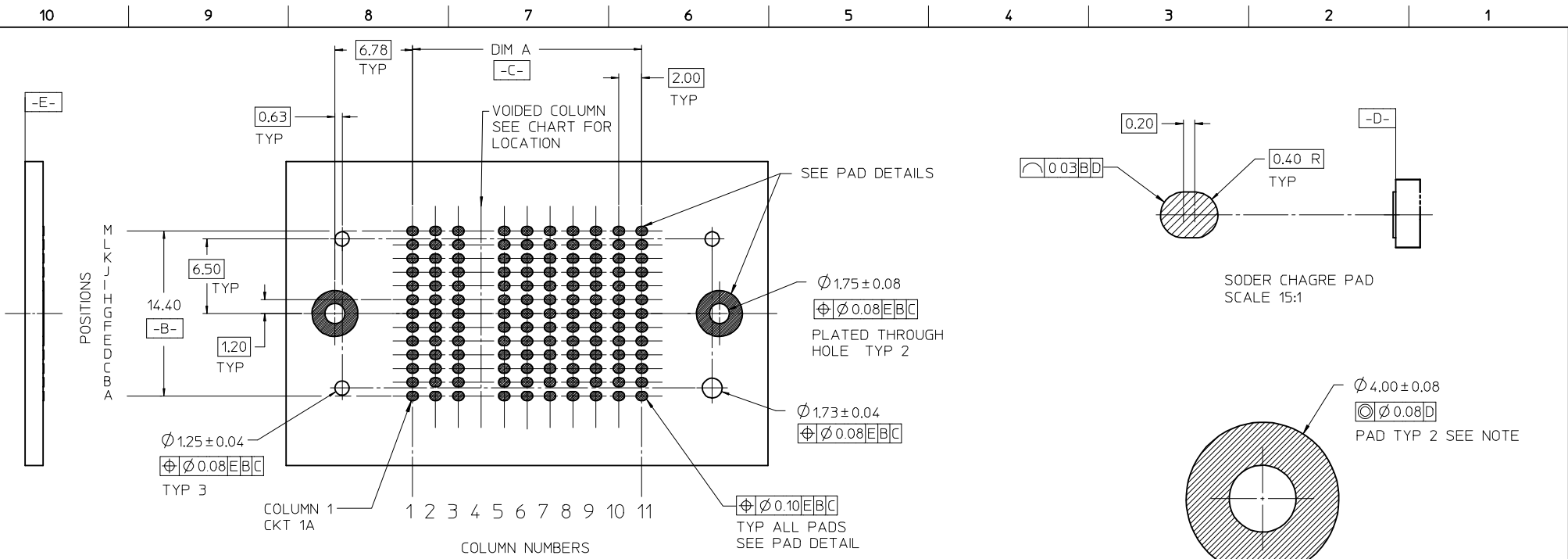
EC NO: UCP2009-0504	2008/09/04	DRINKSAMIEC	2008/09/05	CHKD: JCOMERCI	2008/09/08	APPR: JCOMERCI	2008/09/08
A	REV	DESCRIPTION					

GENERAL TOLERANCES (UNLESS SPECIFIED)	
PLACES	TOLERANCE
4 PLACES	± ---
3 PLACES	± 0.10
2 PLACES	± 0.15
1 PLACE	± 0.25
ANGULAR ± 1/2°	
DRAFT WHERE APPLICABLE MUST REMAIN WITHIN DIMENSIONS	

DIMENSION STYLE	
MM ONLY	
DRAWN BY	DATE
CHCKED BY	DATE
APPROVED BY	DATE
MATERIAL NO.	SEE CHART

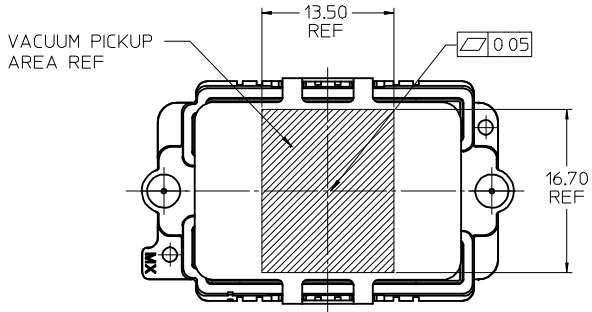
SCALE	DESIGN UNITS
2:1	METRIC
THIRD ANGLE PROJECTION	
HIGH DENSITY MEZZANINE PLUG ASSEMBLY SELECTIVELY LOADED	
MOLEX INCORPORATED	
DOCUMENT NO.	SHEET NO.
SD-46743-001	1 OF 3

THIS DRAWING CONTAINS INFORMATION THAT IS PROPRIETARY TO MOLEX INCORPORATED AND SHOULD NOT BE USED WITHOUT WRITTEN PERMISSION



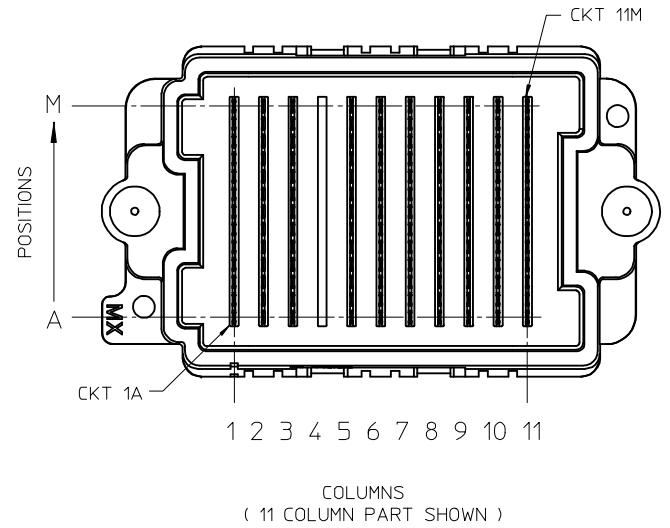
RECOMMENDED PCB LAYOUT: COMPONENT SIDE
PCB THICKNESS: NA

PCB NOTES:
1. STENCIL TO HAVE OPENINGS FOR THE SOLDER PADS AND THE TWO 4.0 DIA PADS



SEE SHEET 1 EC NO: UCP2009-0504 DRW: DRWINKSAMIEC 2008/09/04 CHKD: 2008/09/05 APPR: JCOMERCI 2008/09/08	DESCRIPTION REV	GENERAL TOLERANCES (UNLESS SPECIFIED)		DIMENSION STYLE MM ONLY		SCALE 2:1	DESIGN UNITS METRIC	THIRD ANGLE PROJECTION		
		mm	INCH	DRAWN BY RHODGE	DATE 2008/08/18	TITLE HIGH DENSITY MEZZANINE PLUG ASSEMBLY SELECTIVELY LOADED				
		4 PLACES ± ---	± ---	CHECKED BY	DATE	MOLEX INCORPORATED				
		3 PLACES ± 0.10	± ---	RHODGE	2008/08/18	DOCUMENT NO. SD-46743-001				
2 PLACES ± 0.15		± ---	APPROVED BY JCOMERCI	DATE 2008/08/18	MATERIAL NO.		SHEET NO. 2 OF 3			
1 PLACE ± 0.25		± ---	SEE CHART		THIS DRAWING CONTAINS INFORMATION THAT IS PROPRIETARY TO MOLEX INCORPORATED AND SHOULD NOT BE USED WITHOUT WRITTEN PERMISSION					
ANGULAR ± 1/2°		DRAFT WHERE APPLICABLE MUST REMAIN WITHIN DIMENSIONS								

10	9	8	7	6	5	4	3	2	
MATERIAL NO	STACK HEIGHT	TOTAL COLUMNS	LOADED COLUMNS	AVAILABLE NO OF CKTS	VOIDED COLUMNS	SOLDER MATERIAL	PK-45830-001 STYLE: MM/COLUMN		
46743-0200	8mm	7	1,2,4,5,7	65	3,6	TIN	8 MM / 7 COLUMN		
F									
E									
D									



SEE SHEET 1 EC NO: UCP2009-0504 DRW: DRINKSAMIEC 2008/09/04 CHKD: 2008/09/05 APPR: JCOMERC I 2008/09/08	DESCRIPTION	GENERAL TOLERANCES (UNLESS SPECIFIED)		DIMENSION STYLE MM ONLY		SCALE 1:1	DESIGN UNITS METRIC	THIRD ANGLE PROJECTION		
			mm	INCH	DRAWN BY RHODGE	DATE 2008/08/18	TITLE HIGH DENSITY MEZZANINE PLUG ASSEMBLY SELECTIVELY LOADED MOLEX INCORPORATED			
		4 PLACES	± ---	± ---	CHECKED BY	DATE				
		3 PLACES	± 0.10	± ---	RHODGE	2008/08/18				
		2 PLACES	± 0.15	± ---	APPROVED BY JCOMERC I	DATE 2008/08/18				
		1 PLACE	± 0.25	± ---	ANGULAR ±1/2°		MATERIAL NO.	DOCUMENT NO. SD-46743-001	SHEET NO. 3 OF 3	
DRAFT WHERE APPLICABLE MUST REMAIN WITHIN DIMENSIONS		SEE CHART		THIS DRAWING CONTAINS INFORMATION THAT IS PROPRIETARY TO MOLEX INCORPORATED AND SHOULD NOT BE USED WITHOUT WRITTEN PERMISSION						