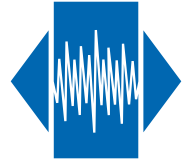


UM-1 MESA

High frequency fundamental through hole Crystal

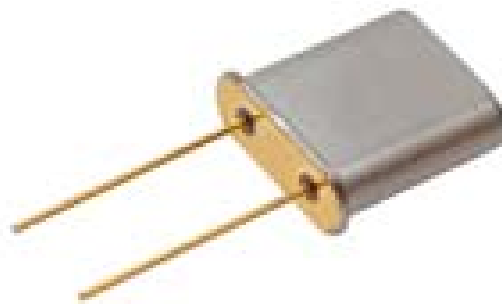
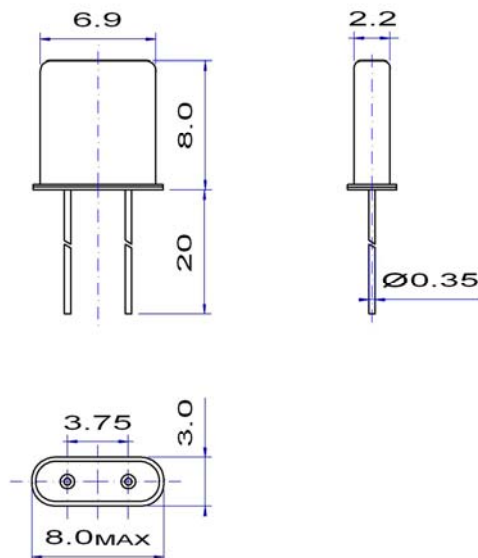
QuartzCom
the communications company



Features

- Applications: telecommunications, audio, instruments, VCXO
- Wide frequency range: 60 to 200 MHz in the fundamental mode
- High pulling sensitivity (ppm/pF)

Parameter	Specification	
Frequency range	60 ~ 200 MHz	fundamental
Mode of oscillation	AT cut	
Standard frequencies	76.80, 122.88, 155.52, 156.25, 159.375 & 180.00 MHz	
Frequency tolerance	±10 ~ ±30 ppm	@ +25 °C
Frequency stability vs. temperature	±10 ~ ±20 ppm	over -10 ~ +60 °C
	±25 ~ ±50 ppm	over -40 ~ +85 °C
Aging	±2 ppm 1 st year	
Load capacitance	series or parallel resonance (CL = 8 ~ 32 pF)	
Equivalent series resistance (ESR)	20 Ω Typ.	
Drive level	10 ~ 100 μW	
Operating temperature range	-20 ~ +70 °C	commercial application
	-40 ~ +85 °C	industrial application
Storage temperature range	-55 ~ +125 °C	
Packaging	tray or plastic bag	
Customer specifications on request		



2002/95/EC RoHS compliant

QuartzCom AG
sales@quartzcom.com

QuartzCom Asia
sales-asia@quartzcom.com

QuartzCom USA
sales-usa@quartzcom.com

www.quartzcom.com

ISO 9001
BUREAU VERITAS
Certification



03 May. 10