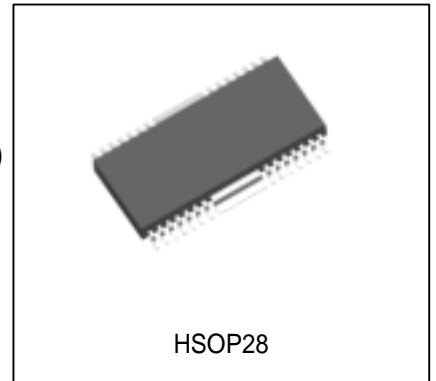


MTD2017F

Dual Full-bridge Microstepping PWM Motor Driver

Features

- Dual full bridge for a bipolar stepper motor driver
- Load supply voltage 35V , Output current 0.8A
- Constant current control (Fixed OFF time PWM control)
- 2-bit selectable current level (Full step/Half step/Quarter step)
- Stand-by function
- Built-in flywheel and flyback diodes
- Under voltage lock out function
- Thermal shutdown with hysteresis
- Surface mount package with heat sink(HSOP28)

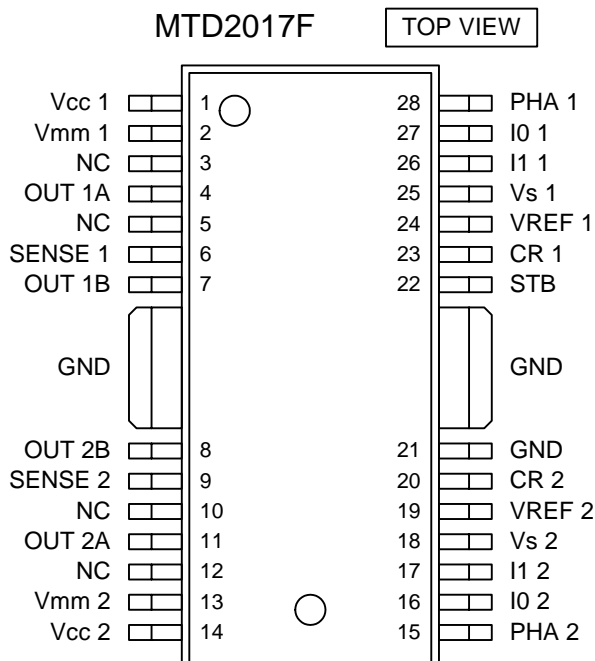


Absolute maximum ratings / Ta=25

Parameter	Symbol	Rating	Unit
Output voltage	V _{mm}	35	V
Output current	I _{OUT}	0.8	A
Logic supply	V _{CC}	0 ~ 6	V
Logic input	V _{LOGIC}	0 ~ V _{CC}	V
Power dissipation	P _T *1	3	W
Storage temperature range	T _{stg}	-40 ~ 150	
Maximum Junction temperature	T _j	150	

*1 : 50.8 × 50.8 × 1mm³ Glass Epoxy Board(FR4),250mm² Copper Pattern

Pin Assignment



Truth table

PHA 1 or 2	OUT A	OUT B
L	L	H
H	H	L

I0	I1	Output current ratio[%]	Vr[V] (at VREF=5V)
L	L	100	0.500 ± 5%
H	L	67	0.335 ± 8%
L	H	33	0.165 ± 10%
H	H	0	-

STB	Mode
L	stand by
H	active

Electrical Characteristics

Ta=25 unless otherwise specified

item	symbol	condition	MIN	TYP	MAX	unit
Logic supply current (2circuit ON)	Icc(ON)	Vcc=5V	-	50.0	62.0	mA
Logic supply current (2circuit OFF)	Icc(OFF)	Vcc=5V,I0=I1=H	-	17.0	21.0	mA
Load supply current (2circuit OFF)	Imm(OFF)	Vcc=5V,Vmm=35V,I0=I1=H	-	5.0	7.4	mA
Logic supply current(STB)	Icc(STB)	Vcc=5V,STB=L	-	3.5	4.7	mA
Load supply current(STB)	Imm(STB)	Vcc=5V,Vmm=35V,STB=L	-	-	10.0	μA
PHA“H”input voltage	VPHA H	Vcc=5V	2.0	-	Vcc	V
PHA“L”input voltage	VPHA L	Vcc=5V	GND	-	0.8	V
PHA“H”input current	IPHA H	Vcc=5V,VPHA =5V	-	-	10.0	μA
PHA“L”input current	IPHA L	Vcc=5V,VPHA =0V	-	-1.0	-10.0	μA
I0,I1“H”input voltage	V(I0,I1) H	Vcc=5V,Vmm=12V	2.0	-	Vcc	V
I0,I1“L”input voltage	V(I0,I1) L	Vcc=5V,Vmm=12V	GND	-	0.8	V
I0,I1“H”input current	I(I0,I1) H	Vcc=5V,V(I0,I1)=5V	-	-	10.0	μA
I0,I1“L”input current	I(I0,I1) L	Vcc=5V,V(I0,I1)=0V	-	-2.0	-30.0	μA
STB“H”input voltage	VSTB H	Vcc=5V	2.0	-	Vcc	V
STB“L”input voltage	VSTB L	Vcc=5V	GND	-	0.8	V
Vref input voltage	VREF	-	1.0	-	7.5	V
Vref input current	IREF	Vcc=5V,VREF=0V	-1	-	10.0	μA
Vs input current	Is	Vcc=5V,Vs=0V	-1	-	10.0	μA
comparator threshold(100%)	Vs1	Vcc=VREF=5V,I0=L,I1=L	0.475	0.500	0.525	V
comparator threshold(67%)	Vs2	Vcc=VREF=5V,I0=H,I1=L	0.308	0.335	0.362	V
comparator threshold(33%)	Vs3	Vcc=VREF=5V,I0=L,I1=H	0.140	0.165	0.182	V
Upper transistor saturation drop	Vce(SAT)H	Ic=0.8A	-	1.20	1.40	V
Lower transistor saturation drop	Vce(SAT)L	Ic=0.8A	-	0.70	1.00	V
Output leak current	Ir	Vmm=Vce(sus)V,Vout=0V	-	-	10.0	μA
Upper diode forward drop	VF H	If=0.8A	-	1.30	1.50	V
Lower diode forward drop	VF L	If=0.8A	-	1.40	1.60	V
One Shot OFF time	T OFF	Ct=3300pF,Rt=4.7K	-	17.1	-	μS
UVLO threshold	Vuv	-	-	4.0	-	V
Thermal shutdown temperature	TJ TSD	-	-	170	-	

Recommended operation conditions

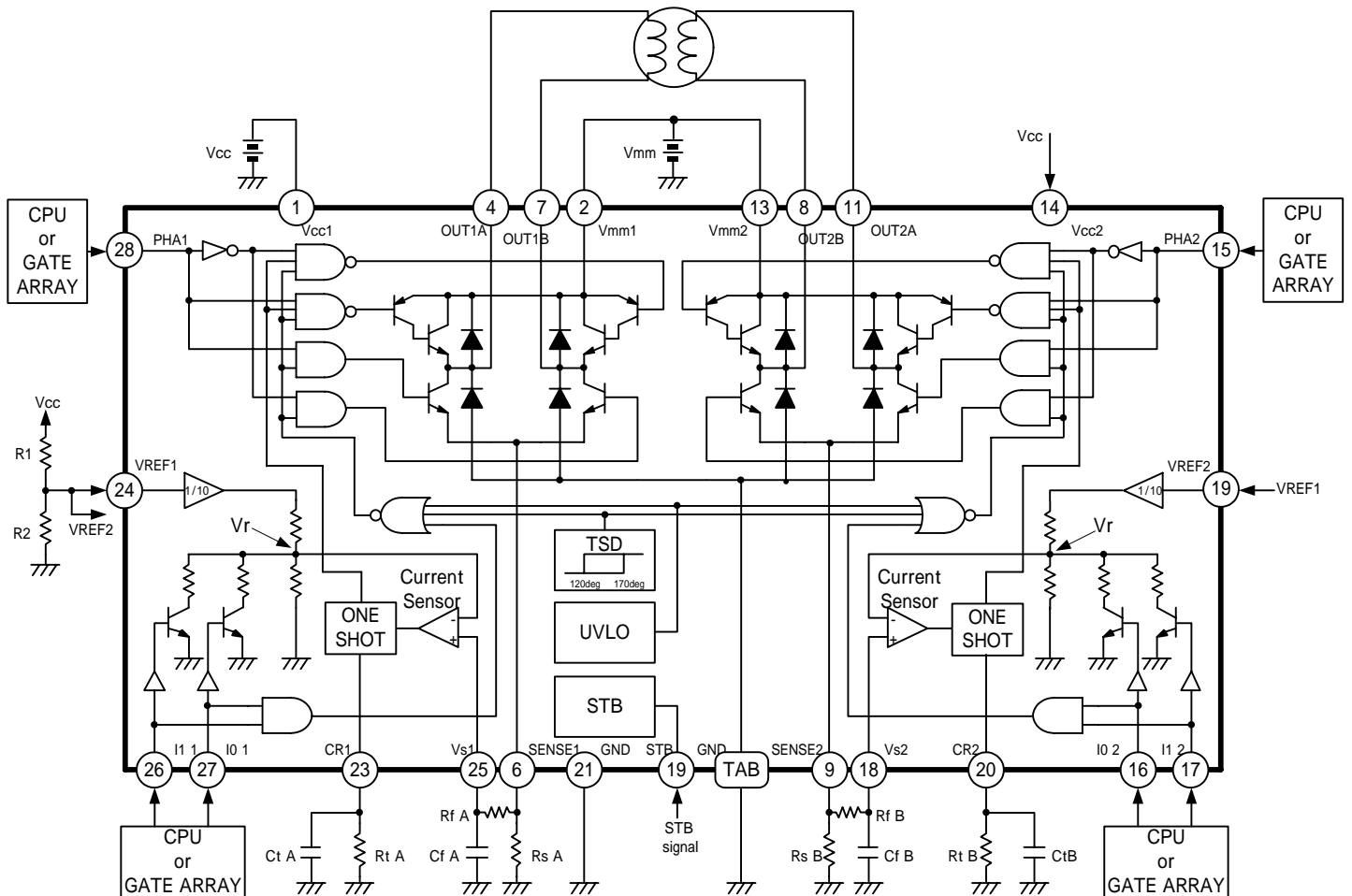
Parameter	Symbol	Recommendation	Unit
Junction temperature	Tj	-25 ~ 120	
Logic supply	Vcc	4.5 ~ 5.5	V
Load supply	Vmm	10 ~ 27	V

Thermal resistance

Symbol	Rating	Unit
ja *	41	/W

 * 50.8 × 50.8 × 1mm³ Glass Epoxy Board(FR4),250mm² Copper Pattern

Block diagram / Typical application



Constant chopping current level

$$I_{chop} = \frac{VREF}{10R_s} - 0.015$$

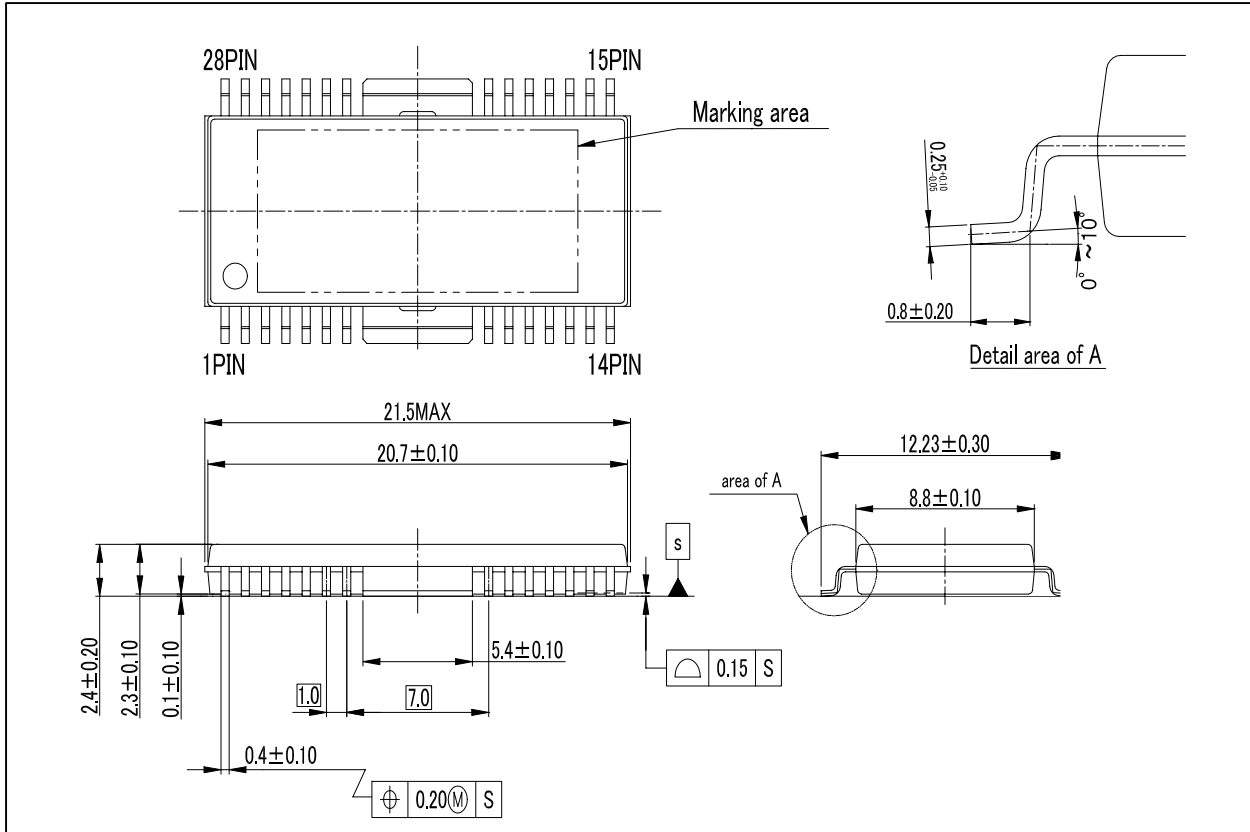
ONE SHOT OFF TIME

$$T_{off} = 1.1C_tR_t$$


Recommended component values


Symbol	Recommended component values	Unit
Ct	3300	pF
Rt	4.7	k
Cf	820	pF
Rf	1.0	k

Outline Drawing



(Unit : mm)

 Although we are constantly making every effort to improve the quality and reliability of our products, there nevertheless remains a certain probability that the semiconductor products may occasionally fail or malfunction. Please take careful precautions against product failures or malfunctions to avoid any injuries, fire accidents or social loss by implementing safety designs such as redundancy designs, designs for fire spread prevention, and designs for preventing malfunctions.

 Our semiconductor products listed in this document are not designed or manufactured to be used in devices or systems requiring extremely high levels of quality and reliability, or the failure or malfunction of which may directly threaten human lives or cause injury. In the cases where the products are to be used in devices or systems for special applications or devices or systems for specialized applications shown below, always make sure to consult us in advance.

Special Applications

Transportation devices (automotive, marine, etc.), communication devices for core network, traffic signal devices, fire prevention/anticrime devices, various safety devices, medical devices, etc.

Specialized Applications

Nuclear power control systems, aircraft and aerospace devices, submarine relay devices, and systems for preserving life, etc.

Even if it is not for a special or specialized application, when IC products are to be used for devices or systems that are desired to last for a long period under continuous operation, please make sure to consult our sales representative in advance.

We reserve the right to make any changes to the contents of this manual without prior notice in accordance with modifications to IC products. Details of specifications should be exchanged at the adoption of the IC products.

All information included in this manual is believed to be accurate and reliable. However, our company takes no responsibility for any injury or damage incurred when using the IC products as described in this manual. Neither do we take any responsibility for issues arising from infringement of patent or other rights caused by using this manual.

The provision of this manual does not guarantee the right to use any third party's patent or other rights, or grant permission to use the patent or other rights of our company.

No part of this manual may be reproduced or copied without the specific written consent of Shindengen Electric Mfg. Co., Ltd.