

PLEASE CHECK WWW.MOLEX.COM FOR LATEST PART INFORMATION

Part Number: [0490582010](#)
Status: **Active**
Description: 2.50mm (.098") Pitch Joint Male Housing Assembly, 20 Circuits

Documents:

[Drawing \(PDF\)](#) [RoHS Certificate of Compliance \(PDF\)](#)
[Product Specification PS-49057-001 \(PDF\)](#)

General

Product Family	Crimp Housings
Series	49058
Comments	Polarized to Mating Part
Product Name	N/A

Physical

Circuits (maximum)	20
Gender	Female
Glow-Wire Compliant	No
Keying to Mating Part	None
Number of Rows	2
Packaging Type	Bag
Panel Mount	No
Pitch - Mating Interface (in)	0.197 In
Pitch - Mating Interface (mm)	5.00 mm
Pitch - Term. Interface (in)	0.098 In
Pitch - Term. Interface (mm)	2.50 mm
Polarized to Mating Part	Yes
Ports	1
Stackable	No
Temperature Range - Operating	-40°C to +80°C

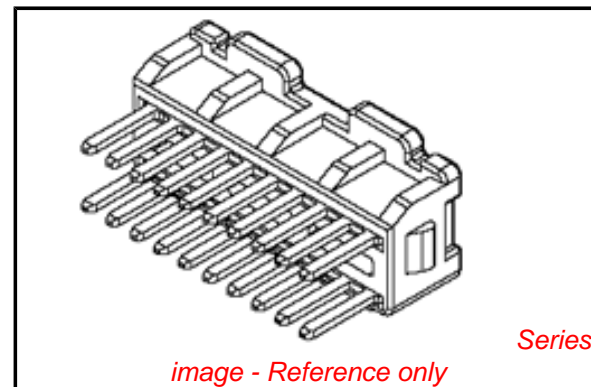
Electrical

Current - Maximum per Contact	10A
-------------------------------	-----

Material Info

Reference - Drawing Numbers

Product Specification	PS-49057-001
Sales Drawing	SD-49058-001



EU RoHS

**ELV and RoHS
Compliant**
REACH SVHC
 Not Reviewed
**Halogen-Free
Status**

China RoHS



**Need more information on product
environmental compliance?**

Email productcompliance@molex.com
 For a multiple part number RoHS Certificate of
 Compliance, [click here](#)

Please visit the [Contact Us](#) section for any
 non-product compliance questions.

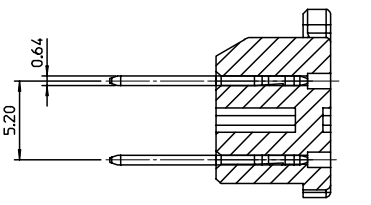
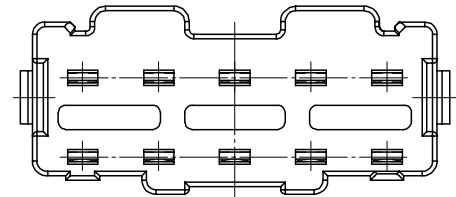
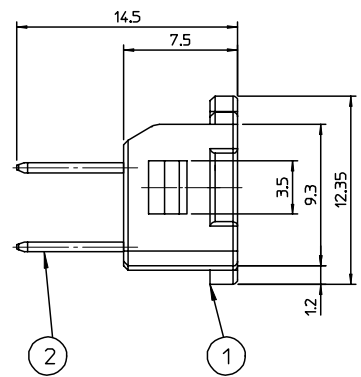
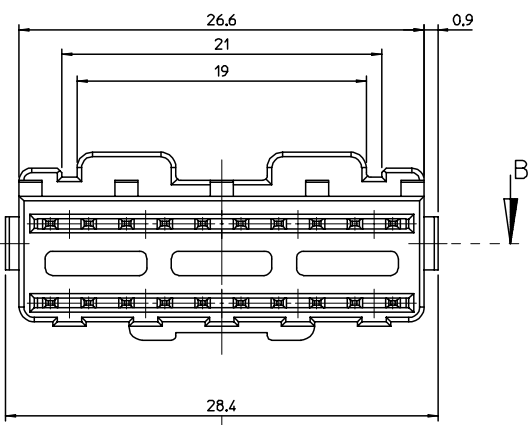
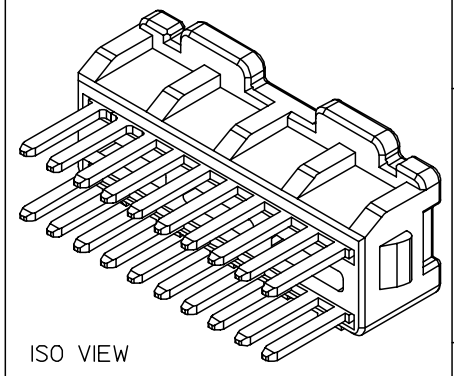
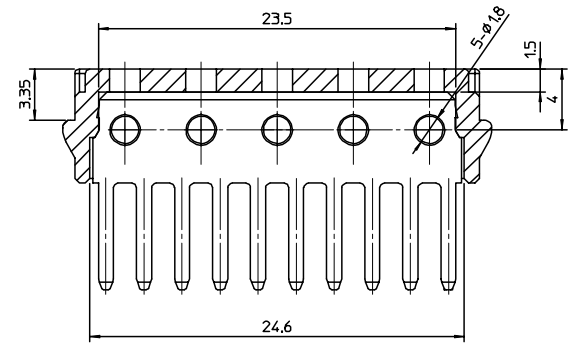
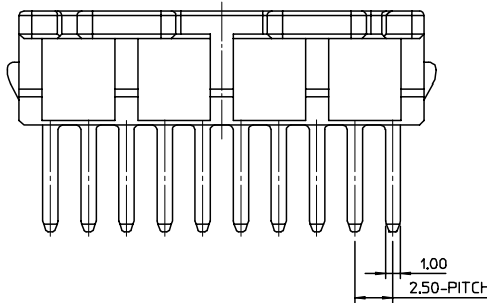
Search Parts in this Series

49058Series

Mates With

490572017 Assembly

DWG. NO. SD-49058-001
 SIMILAR ITEM
 PROJECT NO.
 DO NOT SCALE DRAWING
 DIMENSION IN METRIC



NO.	PART NAME	PART NO.	MATERIAL	REMARKS
1	JOINT PACK	490582090	POLYESTER	NATURAL
2	040 TERMINAL	497219102	BRASS	PRE-TIN

MATERIAL NO.	ENG. NO.
490582010	49058-2010

NEW RELEASE	ECN NO. KOR2005-0006	DRWNS.M.KIM 04/09/03	CHK:K.C.YOON 04/09/03	APPR:C.W.LEE
DESCRIPTION	REV	A		

QUALITY SYMBOLS	MAJOR	CRITICAL
	▲	▽

GENERAL TOLERANCES: (UNLESS SPECIFIED)	
4 PLACES	±0.
3 PLACES	±0.
2 PLACES	±0.15
1 PLACE	±0.20
ANGULAR: ± 1 °	
DRAFT WHERE APPLICABLE MUST REMAIN WITHIN DIMENSIONS	

SCALE 3:1	DESIGN UNITS
	<input checked="" type="checkbox"/> mm <input type="checkbox"/> INCH
DRAWN BY & DATE	
S.M.KIM 04/02/09	
CHECKED BY & DATE	
B.C.YOON 04/02/09	
APPROVED BY & DATE	
C.W.LEE 04/02/09	
CAD FILENAME	
SD49058A.MI	

DIMENSIONS:		SHT		REV	
<input type="checkbox"/> mm	<input type="checkbox"/> INCH				
TITLE:					
040 JOINT CONNECTOR ASS'Y 20P					
MOLEX INCORPORATED					
MATERIAL NO.		DRAWING NO.		SHEET NO.	
SEE TABLE		SD-49058-001		10F1	
THIS DRAWING CONTAINS INFORMATION THAT IS PROPRIETARY TO MOLEX INCORPORATED AND SHOULD NOT BE USED WITHOUT WRITTEN PERMISSION.					SIZE
KOREA					B

F
 E
 D
 C
 B
 A
 MX-A3