

**PLEASE CHECK WWW.MOLEX.COM FOR LATEST PART INFORMATION**

**Part Number:** [0759510999](#)  
**Status:** **Active**  
**Overview:** [sfp\\_products](#)  
**Description:** Small Form Factor Pluggable (SFP) Dust Plug

**Documents:**

[3D Model](#) [RoHS Certificate of Compliance \(PDF\)](#)  
[Drawing \(PDF\)](#)

**General**

Product Family	Accessories
Series	<a href="#">75951</a>
Component Type	Dust Cover
Overview	<a href="#">sfp_products</a>
Product Name	SFP

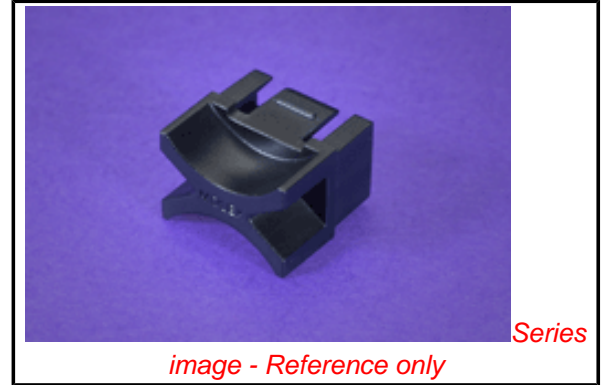
**Physical**

Circuits (Loaded)	N/A
Material - Resin	Polyester

**Material Info**

**Reference - Drawing Numbers**

Packaging Specification	PK-75951-001
Sales Drawing	SD-75951-999



**EU RoHS**

**ELV and RoHS  
Compliant**  
**REACH SVHC  
Contains SVHC: No**  
**Halogen-Free  
Status**

**China RoHS**



**Not Halogen-Free**

**Need more information on product  
environmental compliance?**

Email [productcompliance@molex.com](mailto:productcompliance@molex.com)  
 For a multiple part number RoHS Certificate of  
 Compliance, [click here](#)

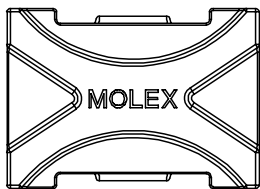
Please visit the [Contact Us](#) section for any  
 non-product compliance questions.

**Search Parts in this Series**  
[75951Series](#)

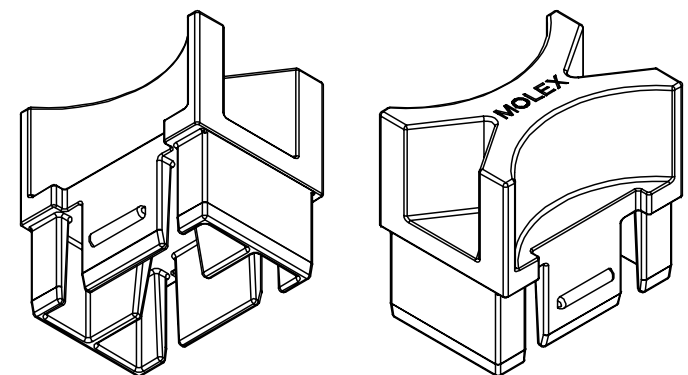
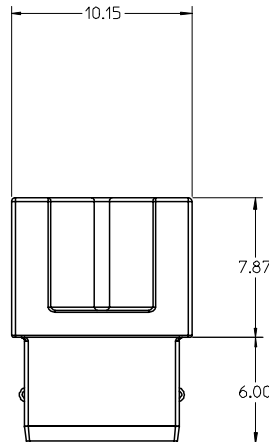
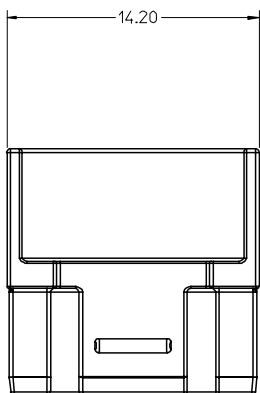
13 12 11 10 9 8 7 6 5 4 3 2 1

J  
I  
H  
G  
F  
E  
D  
C  
B  
A

J  
I  
H  
G  
F  
E  
D  
C  
B  
A



- NOTES:  
 1. MATERIAL: POLYESTER, UL94V-0, COLOR: BLACK.  
 2. PART COMPLIES WITH CLASS B OF COSMETIC SPECIFICATION PS-45499-002.  
 3. PACKAGED PER PK-75951-001.



INITIAL RELEASE EC NO: UCP2007-2710 DRAWN BY: MIBARRA 2007/06/07 CHKD: BBARKER 2007/06/05 APPR: SMILLER 2007/06/07 REVISIONS A	QUALITY SYMBOLS ▽=0 ▽=0 ▽=6	GENERAL TOLERANCES (UNLESS SPECIFIED) <table border="1"> <thead> <tr> <th></th> <th>mm</th> <th>INCH</th> </tr> </thead> <tbody> <tr> <td>4 PLACES</td> <td>± 0.15</td> <td>± 0.006</td> </tr> <tr> <td>3 PLACES</td> <td>± 0.20</td> <td>± 0.008</td> </tr> <tr> <td>2 PLACES</td> <td>± 0.25</td> <td>± 0.010</td> </tr> <tr> <td>1 PLACE</td> <td>± 0.30</td> <td>± 0.012</td> </tr> </tbody> </table> ANGULAR ±1/2°		mm	INCH	4 PLACES	± 0.15	± 0.006	3 PLACES	± 0.20	± 0.008	2 PLACES	± 0.25	± 0.010	1 PLACE	± 0.30	± 0.012	DIMENSION STYLE MM ONLY	SCALE 5:1	DESIGN UNITS METRIC	THIRD ANGLE PROJECTION
		mm	INCH																		
	4 PLACES	± 0.15	± 0.006																		
	3 PLACES	± 0.20	± 0.008																		
2 PLACES	± 0.25	± 0.010																			
1 PLACE	± 0.30	± 0.012																			
DRAWN BY: MIBARRA 2007/04/30 CHECKED BY: BBARKER 2007/04/30 APPROVED BY: SMILLER 2007/04/30		MATERIAL NO. 75951-0999		DOCUMENT NO. SD-75951-999		SHEET NO. 1 OF 1															
DRAFT WHERE APPLICABLE MUST REMAIN WITHIN DIMENSIONS		THIS DRAWING CONTAINS INFORMATION THAT IS PROPRIETARY TO MOLEX INCORPORATED AND SHOULD NOT BE USED WITHOUT WRITTEN PERMISSION																			
TITLE SFP DUST PLUG																					

12 11 10 9 8 7 6 5 4 3 2 1