

PLEASE CHECK WWW.MOLEX.COM FOR LATEST PART INFORMATION

Part Number: [5016451220](#)
Status: **Active**
Overview: [igrid](#)
Description: 2.00mm (.079") Pitch iGrid™ Wire-to-Board Header, Dual Row, Vertical, with PCB Locator, 12 Circuits, Lead-free

Documents:

[3D Model](#) [Product Specification PS-501646-001 \(PDF\)](#)
[Drawing \(PDF\)](#) [RoHS Certificate of Compliance \(PDF\)](#)

General

Product Family PCB Headers
 Series [501645](#)
 Application Wire-to-Board
 MolexKits Yes
 Overview [igrid](#)
 Product Name iGrid™

Physical

Breakaway No
 Circuits (Loaded) 12
 Color - Resin Natural
 Durability (mating cycles max) 30
 Glow-Wire Compliant No
 Keying to Mating Part Yes
 Lock to Mating Part Yes
 Material - Metal Brass
 Material - Plating Mating Tin
 Material - Plating Termination Tin
 Material - Resin Nylon
 Number of Rows 2
 Orientation Vertical
 PC Tail Length (in) 0.126 In
 PC Tail Length (mm) 3.20 mm
 PCB Locator Yes
 PCB Retention None
 PCB Thickness Recommended (in) 0.047 In, 0.063 In
 PCB Thickness Recommended (mm) 1.20 mm, 1.60 mm
 Packaging Type Tray
 Pitch - Mating Interface (in) 0.079 In
 Pitch - Mating Interface (mm) 2.00 mm
 Polarized to Mating Part Yes
 Polarized to PCB Yes
 Stackable No
 Surface Mount Compatible (SMC) No
 Temperature Range - Operating -25°C to +85°C
 Termination Interface: Style Through Hole

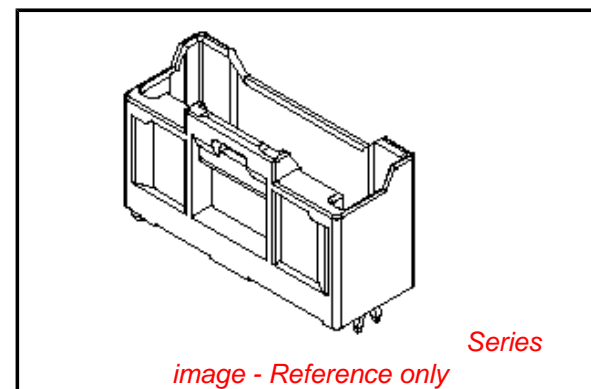
Electrical

Current - Maximum per Contact 2A
 Voltage - Maximum 250V AC (RMS)/DC

Material Info

Reference - Drawing Numbers

Packaging Specification SPK-501645-001



EU RoHS

ELV and RoHS Compliant
REACH SVHC
 Not Reviewed
Halogen-Free Status

China RoHS



Not Reviewed

Need more information on product environmental compliance?

Email productcompliance@molex.com
 For a multiple part number RoHS Certificate of Compliance, [click here](#)

Please visit the [Contact Us](#) section for any non-product compliance questions.

Search Parts in this Series

[501645Series](#)

Mates With

[501646](#) Housing. [501647](#) Crimp Terminal 22-26 AWG. [501648](#) Crimp Terminal 26-28 AWG

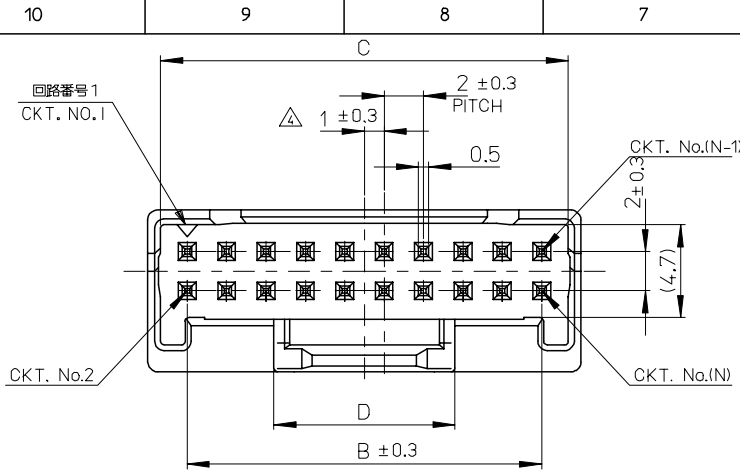
Product Specification

Sales Drawing

PS-501646-001, RPS-501646-001, RPS-501646-002,
RPS-501646-003, RPS-501646-004, RPS-501646-005,
RPS-501646-006, RPS-501646-007
SD-501645-001

This document was generated on 05/26/2010

PLEASE CHECK WWW.MOLEX.COM FOR LATEST PART INFORMATION

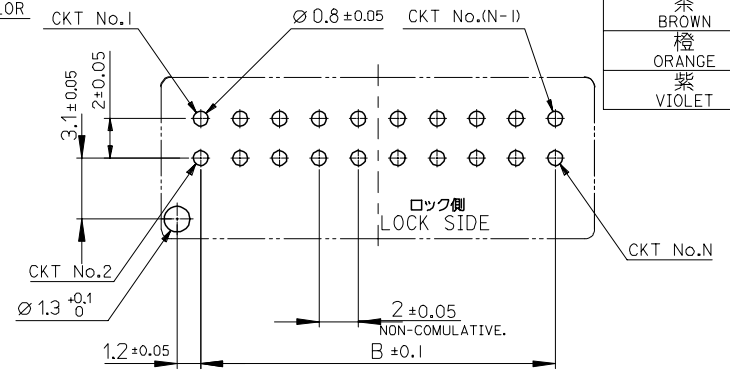
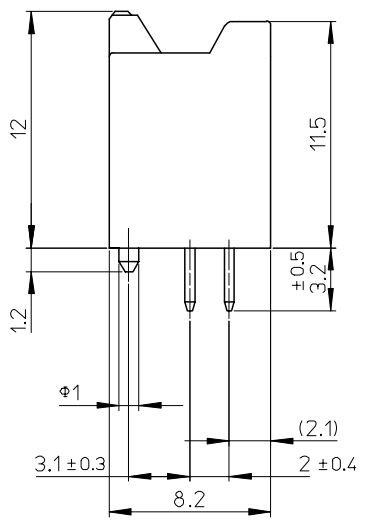
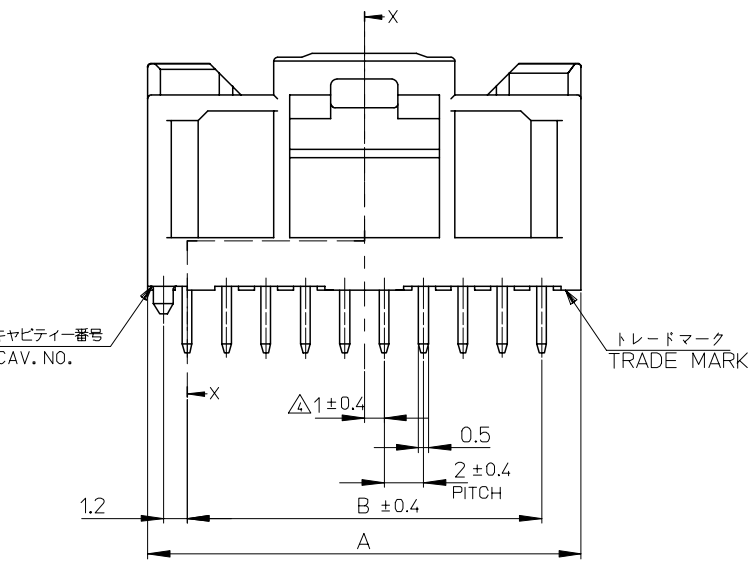


注記
NOTES

- 材料 MATERIAL
ピン : 黄銅, 銅下地鍍メッキ
PIN : BRASS, Sn OVER COPPER PLATED
ハウジング : 66+1ロン(ガラス入り), UL94V-0
HOUSING : 66NYLON (G.F.), UL94V-0
 - 嵌合相手 : 501646 シリーズ
MATE WITH : 501646 SERIES
- △ 製品番号
MATERIAL NO.
501645 - **2*
極数 CIRCUIT SIZE 色 COLOR

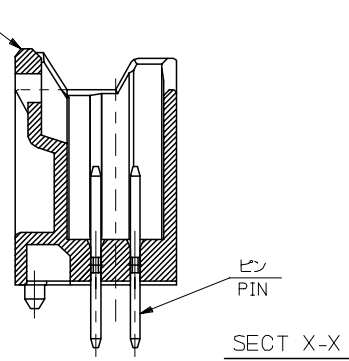
△ (全極数/2) = 偶数の場合に適用。
APPLY FOR (CIRCUIT/2)=EVEN

ナチュラル NATURAL	0
黒 BLACK	1
赤 RED	2
黄 YELLOW	3
青 BLUE	4
桃 PINK	5
緑 GREEN	6
茶 BROWN	7
橙 ORANGE	8
紫 VIOLET	9



基板取付穴推奨寸法 (マウント面)
RECOMMENDED P.C.BOARD
HOLE DIMENSION
(MOUNTING SIDE)
(t=1.2~1.6)

9.2	40.7	38	42	501645-402*	40
9.2	38.7	36	40	-382*	38
9.2	36.7	34	38	-362*	36
9.2	34.7	32	36	-342*	34
9.2	32.7	30	34	-322*	32
9.2	30.7	28	32	-302*	30
9.2	28.7	26	30	-282*	28
9.2	26.7	24	28	-262*	26
9.2	24.7	22	26	-242*	24
9.2	22.7	20	24	-222*	22
9.2	20.7	18	22	-202*	20
9.2	18.7	16	20	-182*	18
9.2	16.7	14	18	-162*	16
9.2	14.7	12	16	-142*	14
9.2	12.7	10	14	-122*	12
7.3	10.7	8	12	501645-102*	10
D	C	B	A	△ MATERIAL NO.	CTK.



REVISED EC NO: J2006-1309 DRAWN BY N. ITO CHKD: ASAKAWA APPR: S. CHIKAWA REV DESCRIPTION GENERAL TOLERANCES (UNLESS SPECIFIED) 10 UNDER ± 0.2 10 OVER 30 UNDER ± 0.25 30 OVER ± 0.3 ANGULAR ± 3 ° DRAFT WHERE APPLICABLE MUST REMAIN WITHIN DIMENSIONS	DIMENSION STYLE MM ONLY		SCALE 4:1	DESIGN UNITS METRIC	THIRD ANGLE PROJECTION
	DRAWN BY N. ITO DATE 05/07/04		TITLE 2.0MM W/B DUAL CONN DIP PLUG ASSY ST(WITH BOSS) -LEAD FREE-		
	CHECKED BY ASAKAWA DATE 05/07/04		APPROVED BY ICHIKAWA DATE 05/07/04		
	MATERIAL NO. 501645-**2*		DOCUMENT NO. SD-501645-001		SHEET NO. 1 OF 1
	SIZE A3 THIS DRAWING CONTAINS INFORMATION THAT IS PROPRIETARY TO MOLEX INCORPORATED AND SHOULD NOT BE USED WITHOUT WRITTEN PERMISSION				