

**PLEASE CHECK WWW.MOLEX.COM FOR LATEST PART INFORMATION**

**Part Number:** [0955022443](#)  
**Status:** **Active**  
**Overview:** [modular\\_plugs\\_jacks](#)  
**Description:** Modular Jack, Through Hole Version, Bottom Entry, 4/4 Circuits

**Documents:**

[3D Model](#) [Product Specification PS-95502-001 \(PDF\)](#)  
[Drawing \(PDF\)](#) [RoHS Certificate of Compliance \(PDF\)](#)

**Agency Certification**

UL E107635

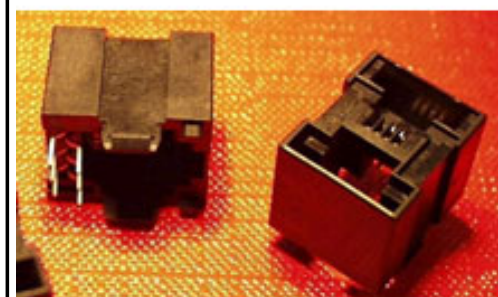
**General**

Product Family Modular Jacks/Plugs  
 Series [95502](#)  
 Component Type PCB Jack  
 Magnetic No  
 Overview [modular\\_plugs\\_jacks](#)  
 Performance Category 3  
 Power over Ethernet (PoE) N/A  
 Product Name RJ11

**Physical**

Boot Color N/A  
 Color - Resin Black  
 Durability (mating cycles max) 200  
 Flammability 94V-0  
 Inverted / Top Latch No  
 Lightpipes/LEDs None  
 Material - Metal Phosphor Bronze  
 Material - Plating Mating Gold  
 Material - Plating Termination Tin  
 Material - Resin High Temperature Thermoplastic  
 Orientation Bottom Entry  
 PCB Locator Yes  
 PCB Retention Yes  
 PCB Thickness Recommended (in) 0.062 In  
 PCB Thickness Recommended (mm) 1.57 mm  
 Packaging Type Tray  
 Pitch - Mating Interface (in) 0.040 In  
 Pitch - Mating Interface (mm) 1.02 mm  
 Pitch - Term. Interface (in) 0.050 In  
 Pitch - Term. Interface (mm) 1.27 mm  
 Plating min: Mating (µin) 50.8  
 Plating min: Mating (µm) 1.27  
 Plating min: Termination (µin) 76  
 Plating min: Termination (µm) 1.9  
 Ports 1  
 Positions / Loaded Contacts 4/4  
 Surface Mount Compatible (SMC) Yes  
 Temperature Range - Operating -40°C to +80°C  
 Termination Interface: Style Through Hole  
 Waterproof / Dustproof No  
 Wire/Cable Type N/A

**Electrical**



Series

image - Reference only

**EU RoHS**

**ELV and RoHS  
 Compliant  
 REACH SVHC  
 Contains SVHC: No  
 Halogen-Free  
 Status**

**China RoHS**



**Need more information on product  
 environmental compliance?**

Email [productcompliance@molex.com](mailto:productcompliance@molex.com)  
 For a multiple part number RoHS Certificate of  
 Compliance, [click here](#)

Please visit the [Contact Us](#) section for any  
 non-product compliance questions.

**Search Parts in this Series**

[95502Series](#)

**Mates With**

[90075 FCC 68 Plug](#)

|                               |         |
|-------------------------------|---------|
| Current - Maximum per Contact | 1.5A    |
| Shielded                      | No      |
| Voltage - Maximum             | 125V DC |

**Material Info**

**Reference - Drawing Numbers**

|                         |              |
|-------------------------|--------------|
| Packaging Specification | PK-95002     |
| Product Specification   | PS-95502-001 |
| Sales Drawing           | SD-95502-001 |

This document was generated on 06/07/2010

**PLEASE CHECK [WWW.MOLEX.COM](http://WWW.MOLEX.COM) FOR LATEST PART INFORMATION**

**NOTES :**

**1- MATERIAL:**

-HOUSING: L C P FIBER GLASS FILLED  
UL 94-V0 COLOR BLACK.

-MODULE : L C P FIBER GLASS FILLED  
UL 94-V0 COLOR BLACK.

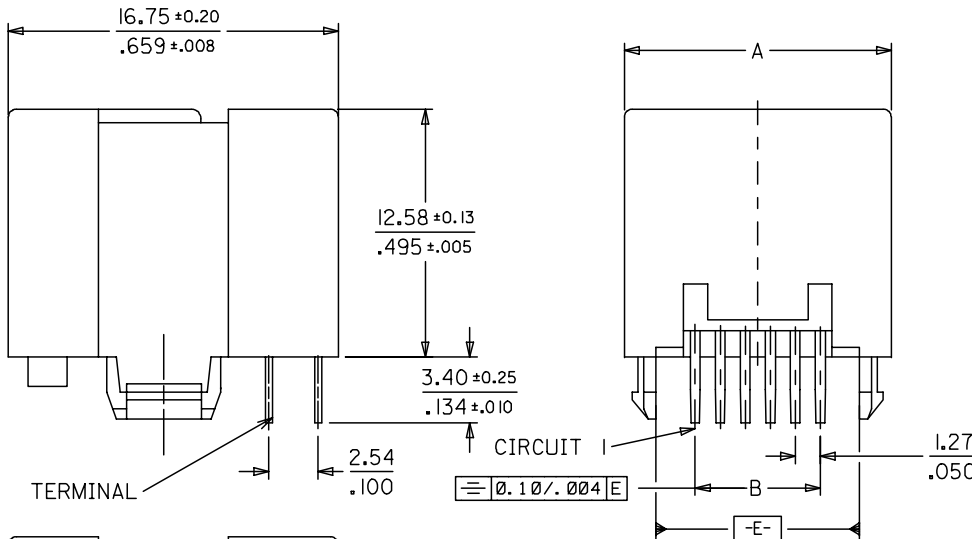
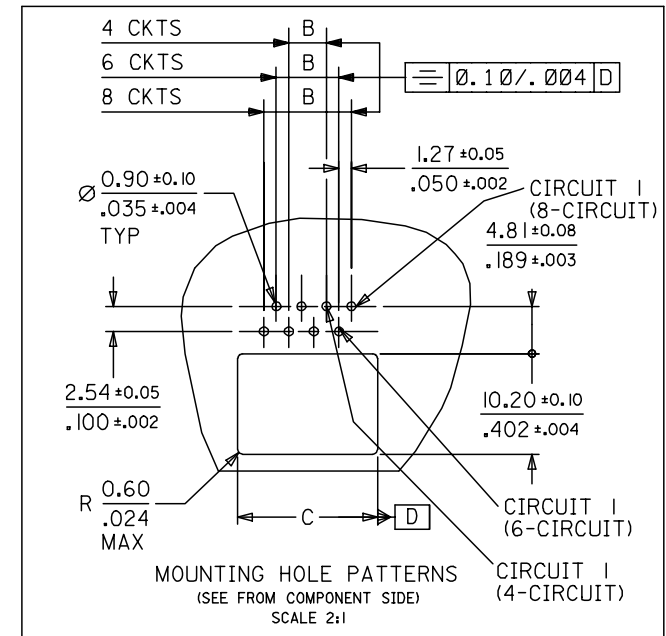
-TERMINAL: PHOSPHOR BRONZE .

**PLATING:**

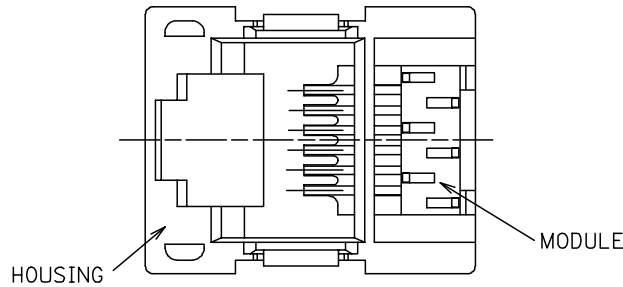
POST PLATE 0.00127-0.00152/.000050-.000060 GOLD  
IN CONTACT AREA.

0.00190/.000075 MIN PURE TIN IN TAIL AREA  
BOTH OVER 0.00127/.000050 MIN NICKEL OVERALL.

- 2- JACK FOR MATING WITH FCC 68 PLUGS  
90075 MOLEX SERIES.
- 3- PCB THICKNESS : 1.57 / .062
- 4- PRODUCT SPECIFICATION PS-95502-001
- 5- PACKAGING SPECIFICATION PK-95002



| P/N        | HOUSING SIZE | CKTS.  | DIM.                 |   |   |
|------------|--------------|--------|----------------------|---|---|
|            |              |        | A ±0.13              | B $\begin{matrix} +0.05 \\ -0.10 \\ \pm 0.002 \\ -0.004 \end{matrix}$ | C $\begin{matrix} \pm 0.08 \\ \pm 0.003 \end{matrix}$ |
| 95502-2443 | POS 4        | 4 CKTS | $\frac{11.50}{.453}$ | $\frac{3.81}{.150}$   | $\frac{10.20}{.402}$                                  |
| 95502-2643 | POS 6        | 4 CKTS | $\frac{13.55}{.533}$ | $\frac{3.81}{.150}$   | $\frac{12.20}{.480}$                                  |
| 95502-2663 | POS 6        | 6 CKTS | $\frac{13.55}{.533}$ | $\frac{6.35}{.250}$   | $\frac{12.20}{.480}$                                  |
| 95502-2883 | POS 8        | 8 CKTS | $\frac{15.55}{.612}$ | $\frac{8.89}{.350}$   | $\frac{14.20}{.559}$                                  |



| MODIFIED MATL.<br>EC NO: E2007-0611<br>DRWN:DBYRNES 2007/01/22<br>CHKD: 2007/01/22<br>APPR:EDMAMONY 2007/01/25 | QUALITY SYMBOLS<br>▽=0<br>▽=0 | GENERAL TOLERANCES (UNLESS SPECIFIED)<br><table border="1"> <thead> <tr> <th></th> <th>mm</th> <th>INCH</th> </tr> </thead> <tbody> <tr> <td>4 PLACES</td> <td>± ---</td> <td>± ---</td> </tr> <tr> <td>3 PLACES</td> <td>± ---</td> <td>± .006</td> </tr> <tr> <td>2 PLACES</td> <td>± 0.15</td> <td>± .010</td> </tr> <tr> <td>1 PLACE</td> <td>± 0.25</td> <td>± ---</td> </tr> </tbody> </table> ANGULAR ± .5 ° |        | mm | INCH | 4 PLACES | ± --- | ± --- | 3 PLACES | ± --- | ± .006 | 2 PLACES | ± 0.15 | ± .010 | 1 PLACE | ± 0.25 | ± --- | DIMENSION STYLE<br>MM/IN<br>DRAWN BY DATE<br>TMARTIN 2005/05/31<br>CHECKED BY DATE<br>FCARABETTA 2005/05/31<br>APPROVED BY DATE<br>KNOLLER 2005/05/31 | SCALE<br>4:1<br>DESIGN UNITS<br>METRIC<br>THIRD ANGLE PROJECTION | TITLE<br>BOTTOM ENTRY LOW PROFILE<br>MODULAR JACK<br>(THROUGH HOLE VERSION)<br>MOLEX INCORPORATED | MATERIAL NO.<br>DOCUMENT NO.<br>SD-95502-001<br>SHEET NO.<br>1 OF 1 |
|--|-------------------------------|---|--------|----|------|----------|-------|-------|----------|-------|--------|----------|--------|--------|---------|--------|-------|---|--|---|---|
|  |                               | mm  | INCH   |    |      |          |       |       |          |       |        |          |        |        |         |        |       |   |  |   |   |
|  | 4 PLACES                      | ± ---   | ± ---  |    |      |          |       |       |          |       |        |          |        |        |         |        |       |   |  |   |   |
|  | 3 PLACES                      | ± ---   | ± .006 |    |      |          |       |       |          |       |        |          |        |        |         |        |       |   |  |   |   |
| 2 PLACES   | ± 0.15                        | ± .010  |        |    |      |          |       |       |          |       |        |          |        |        |         |        |       |   |  |   |   |
| 1 PLACE  | ± 0.25                        | ± ---   |        |    |      |          |       |       |          |       |        |          |        |        |         |        |       |   |  |   |   |
| DRAFT WHERE APPLICABLE<br>MUST REMAIN<br>WITHIN DIMENSIONS   | SEE CHART                     | THIS DRAWING CONTAINS INFORMATION THAT IS PROPRIETARY TO MOLEX<br>INCORPORATED AND SHOULD NOT BE USED WITHOUT WRITTEN PERMISSION  |        |    |      |          |       |       |          |       |        |          |        |        |         |        |       |   |  |   |   |