

**PLEASE CHECK WWW.MOLEX.COM FOR LATEST PART INFORMATION**

**Part Number:** **0781250001**  
**Status:** **Active**  
**Description:** 1.00mm (.039") Pitch DDR2 DIMM Socket, Very Low Profile, Vertical, Surface Mount, 1.8 V, Center Keys, Black Latches, Beveled Metal Pin Length 3.94mm (.155"), 240 Circuits, Lead-free

**Documents:**

[3D Model](#) [Product Specification PS-78125-001 \(PDF\)](#)  
[Drawing \(PDF\)](#) [RoHS Certificate of Compliance \(PDF\)](#)

**Agency Certification**

CSA LR19980  
 UL E29179

**General**

Product Family Memory Module Sockets  
 Series [78125](#)  
 Comments <LI> Latches in Black Color  
 Component Type Memory Module  
 JEDEC Outline MO-237  
 Product Name DDR2 DIMM

**Physical**

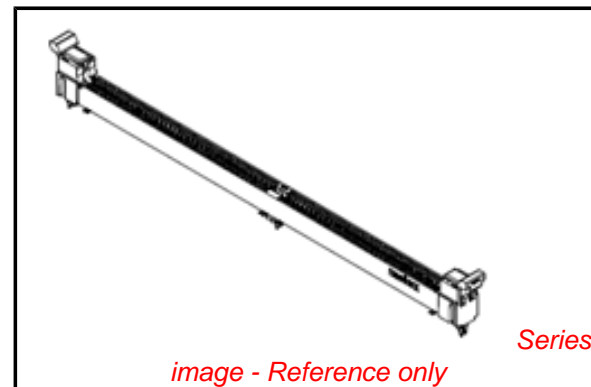
Circuits (Loaded) 240  
 Color - Resin Black  
 Durability (mating cycles max) 25  
 Entry Angle Vertical (Top Entry)  
 Flammability 94V-0  
 Keying to Mating Part Yes  
 Material - Metal Copper Alloy  
 Material - Plating Mating Gold  
 Material - Plating Termination Tin  
 Material - Resin High Temperature Thermoplastic  
 PCB Locator Yes  
 PCB Retention Yes  
 PCB Thickness Recommended (in) 0.062 In  
 PCB Thickness Recommended (mm) 1.60 mm  
 Packaging Type Tray  
 Pitch - Mating Interface (in) 0.039 In  
 Pitch - Mating Interface (mm) 1.00 mm  
 Pitch - Term. Interface (in) 0.039 In  
 Pitch - Term. Interface (mm) 1.00 mm  
 Plating min: Mating (µin) 30  
 Plating min: Mating (µm) 0.76  
 Plating min: Termination (µin) 100  
 Plating min: Termination (µm) 2.54  
 Temperature Range - Operating -10°C to +85°C  
 Termination Interface: Style Surface Mount

**Electrical**

Current - Maximum per Contact 1A  
 Voltage - Maximum 30V AC (RMS)  
 Voltage Key 1.8V, Center

**Solder Process Data**

Duration at Max. Process Temperature (seconds) 5  
 Lead-free Process Capability Reflow Capable (SMT only)



**EU RoHS**

**ELV and RoHS Compliant**  
**REACH SVHC**  
 Not Reviewed  
**Halogen-Free Status**  
 Not Reviewed

**China RoHS**



**Need more information on product environmental compliance?**

Email [productcompliance@molex.com](mailto:productcompliance@molex.com)  
 For a multiple part number RoHS Certificate of Compliance, [click here](#)

Please visit the [Contact Us](#) section for any non-product compliance questions.

**Search Parts in this Series**

[78125Series](#)

**Mates With**

JEDEC standard 1.27mm modules

Max. Cycles at Max. Process Temperature	3
Process Temperature max. C	260

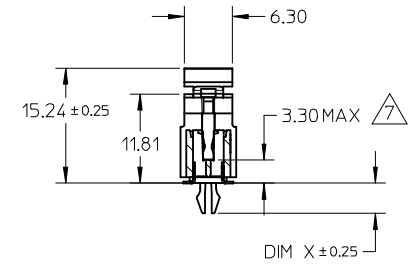
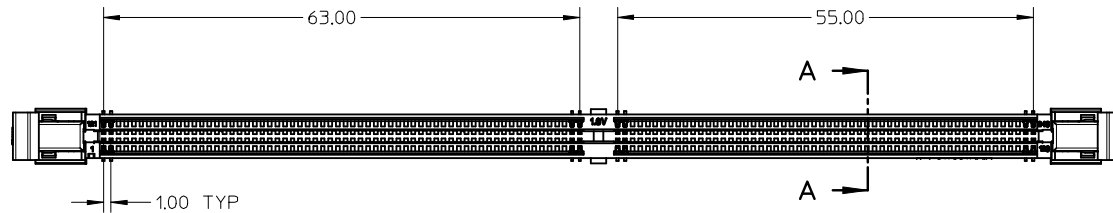
### **Material Info**

### **Reference - Drawing Numbers**

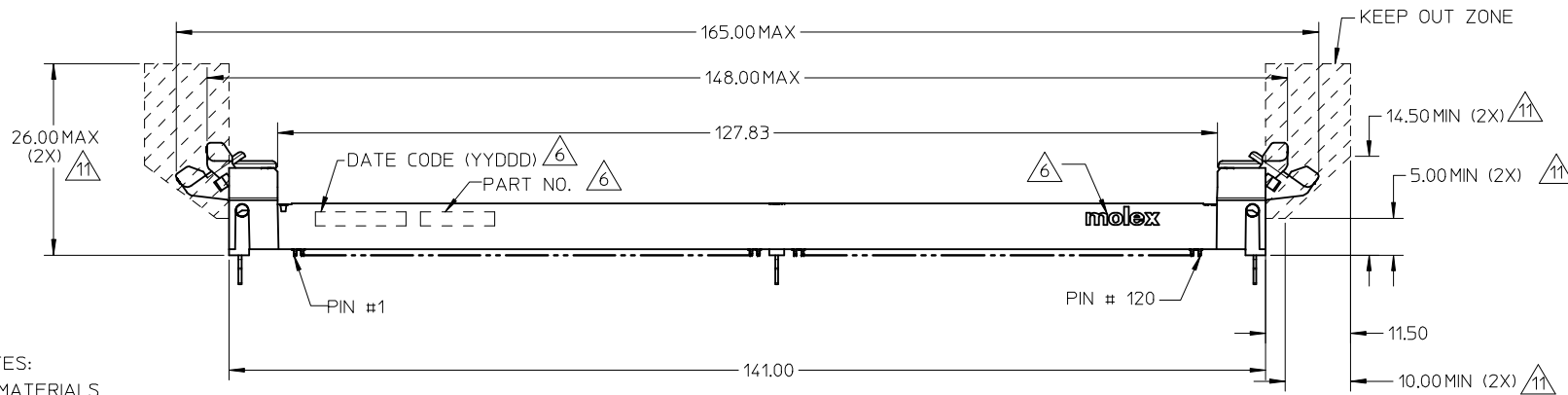
Product Specification	PS-78125-001, RPS-78125-001
Sales Drawing	SD-78125-001

This document was generated on 04/09/2010

**PLEASE CHECK [WWW.MOLEX.COM](http://WWW.MOLEX.COM) FOR LATEST PART INFORMATION**



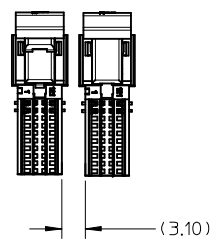
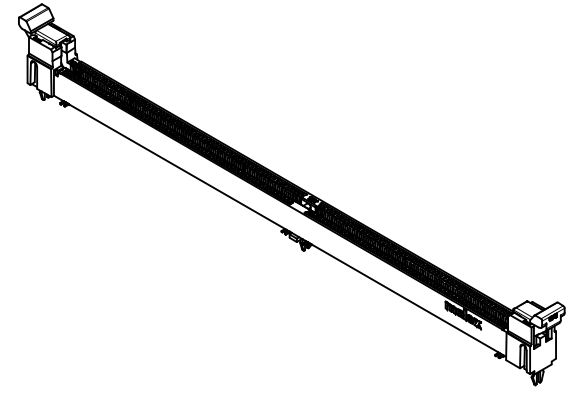
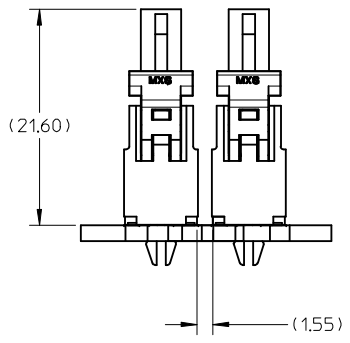
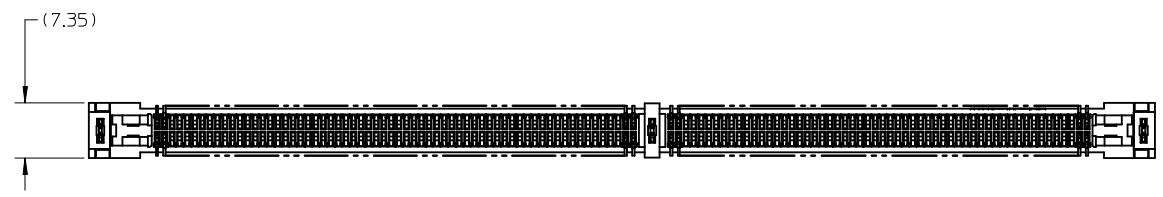
SECTION A-A



- NOTES:
- MATERIALS  
HOUSING - LCP, GLASS FILLED, UL 94V-0. BLACK  
EJECTORS - HIGH TEMP. NYLON GLASS FILLED, UL 94 V-0,  
COLOUR - PLS REFER TO SHEET 2.  
TERMINALS - COPPER ALLOY
  - PLATING OPTION - PLS REFER TO SHEET 2.
  - CARD SLOT ACCEPTS 1.27±0.10MM MODULE THICKNESS. (MEASURED OVER PC PADS)
  - RECOMMENDED MODULE LAYOUT SHALL BE AS PER JEDEC MO-237. PLS REFER TO SHEET 3.
  - PRODUCT IS PACKED INTO TRAYS. PLS REFER TO SHEET 5
  - MOLEX LOGO, DATE CODE & PART NO. INDICATED ON HOUSING.
  - DIMM MODULE SEATING PLANE FROM TOP OF PCB.
  - COPLANARITY OF SOLDER TAILS SHALL NOT EXCEED 0.20MM.
  - REFER YO PRODUCT SPEC. PS-78125-001 FOR PERFORMANCE SPECIFICATIONS.
  - THE KEEP OUT AREA IS THE AREA WHERE THE CONNECTOR IS MOUNTED ONTO THE PCB, WHICH DOES NOT INCLUDE THE LATCH.
  - KEEP OUT ZONE AS PER JEDEC SO-001.
  - CONTACT MOLEX FOR AVAILABILITY OF PRODUCT OPTIONS.

ADD NEW OPTION EC NO: S2009-0166 DRWN:CMTEO 2008/09/05 CHKD:CGTAN 2008/09/05 APPR:SHLENI 2008/09/05	QUALITY SYMBOLS ▽=0 ◻=0	GENERAL TOLERANCES (UNLESS SPECIFIED)		DIMENSION STYLE MM ONLY		SCALE NTS	DESIGN UNITS METRIC	THIRD ANGLE PROJECTION		
			mm	INCH	DRAWN BY CMTEO	DATE 2006/08/07	TITLE DDR2 DIMM, 100MM PITCH 240 CKTS, VLP LATCH, SMT			
		4 PLACES	± ---	± ---	CHECKED BY SHLENI	DATE 2006/08/14	MATERIAL NO. SD-78125-001			
		3 PLACES	± ---	± ---	APPROVED BY GGLEE	DATE 2006/08/14	DOCUMENT NO. SD-78125-001			
	2 PLACES	± 0.2	± ---	DRAFT WHERE APPLICABLE MUST REMAIN WITHIN DIMENSIONS		SEE TABLE		SHEET NO. 1 OF 5		
	1 PLACE	± ---	± ---	SIZE A3		THIS DRAWING CONTAINS INFORMATION THAT IS PROPRIETARY TO MOLEX INCORPORATED AND SHOULD NOT BE USED WITHOUT WRITTEN PERMISSION				
B1		REV		ANGULAR ± 1 °						

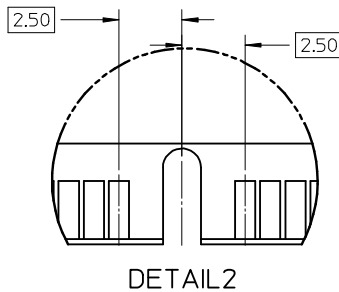
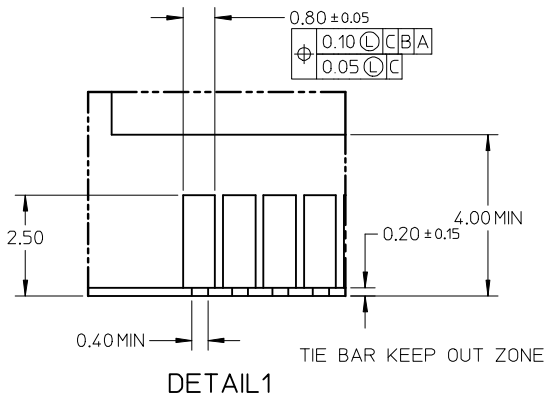
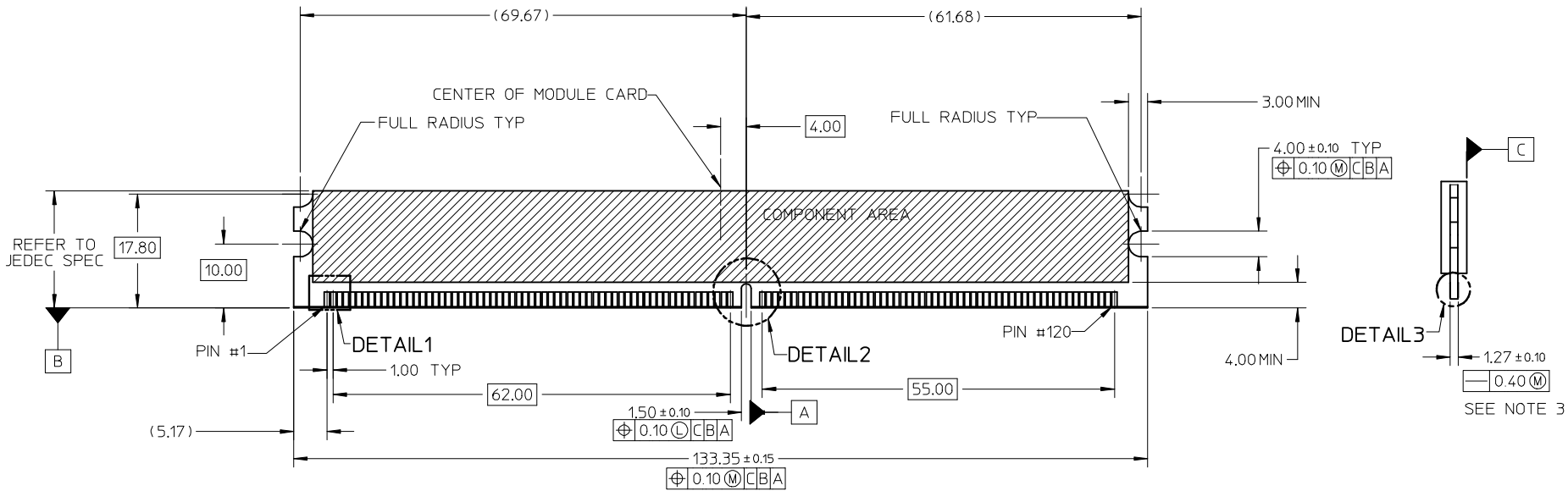
ASSEMBLY PART NO.	VOLTAGE KEY POS.	DIM X	PCB THICKNESS DIM Y	PLATING	LATCH COLOR
78125-0001	CENTRE 1.8V	3.94	1.57	0.76µM (30µ IN) MIN. GOLD ON CONTACT 2.54µM (100µ IN) MIN. TIN ON SOLDER TAILS 1.27µM (50µ IN) MIN. NICKEL UNDERPLATE	BLACK
78125-0008		4.42	2.50		



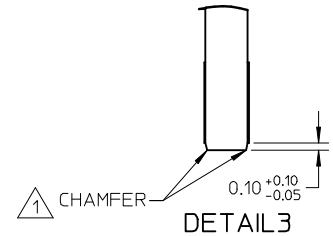
<b>ADD NEW OPTION</b> EC NO: S2009-0166 DRWN:CMTEO CHKD:CGTAN APPR:SHLENI	2008/09/05 2008/09/05 2008/09/05	DESCRIPTION REV	QUALITY SYMBOLS ▽=0 ◻=0	GENERAL TOLERANCES (UNLESS SPECIFIED)		DIMENSION STYLE	SCALE	DESIGN UNITS	THIRD ANGLE PROJECTION		
						MM ONLY	NTS	METRIC			
				mm	INCH	DRAWN BY	DATE	TITLE			
				4 PLACES	± ---	± ---	CMTEO	2006/08/07	DDR2 DIMM, 100MM PITCH 240 CKTS, VLP LATCH, SMT		
3 PLACES	± ---	± ---	CHECKED BY	DATE							
2 PLACES	± 0.2	± ---	SHLENI	2006/08/14							
1 PLACE	± ---	± ---	APPROVED BY	DATE							
ANGULAR ± 1 °				GGLEE	2006/08/14						
DRAFT WHERE APPLICABLE MUST REMAIN WITHIN DIMENSIONS				MATERIAL NO.	SEE TABLE		MOLEX INCORPORATED		DOCUMENT NO.		
				SIZE	A3		SD-78125-001		SHEET NO.		
				THIS DRAWING CONTAINS INFORMATION THAT IS PROPRIETARY TO MOLEX INCORPORATED AND SHOULD NOT BE USED WITHOUT WRITTEN PERMISSION							

10 9 8 7 6 5 4 3 2 1

RECOMMENDED MODULE LAYOUT



KEY LOCATION	VOLTAGE
CENTER	1.8V



NOTES:  
 1. MODULE CARD USED FOR TESTS ARE WITH 0.10MM CHAMFER.

ADD NEW OPTION EC NO: S2009-0166 DRWN:CMTEO 2008/09/05 CHKD:CGTAN 2008/09/05 APPR:SHLENI 2008/09/05	QUALITY SYMBOLS ▽=0 ◻=0	GENERAL TOLERANCES (UNLESS SPECIFIED) mm INCH 4 PLACES ± --- ± --- 3 PLACES ± --- ± --- 2 PLACES ± 0.2 ± --- 1 PLACE ± --- ± --- ANGULAR ± 1 °	DIMENSION STYLE MM ONLY DRAWN BY: CMTEO DATE: 2006/08/07 CHECKED BY: SHLENI DATE: 2006/08/14 APPROVED BY: GGLEE DATE: 2006/08/14	SCALE: NTS DESIGN UNITS: METRIC THIRD ANGLE PROJECTION	TITLE: DDR2 DIMM, 100MM PITCH 240 CKTS, VLP LATCH, SMT
	DRAFT WHERE APPLICABLE MUST REMAIN WITHIN DIMENSIONS	MATERIAL NO.: SEE TABLE SIZE: A3	MOLEX INCORPORATED DOCUMENT NO.: SD-78125-001	SHEET NO.: 3 OF 5	
	THIS DRAWING CONTAINS INFORMATION THAT IS PROPRIETARY TO MOLEX INCORPORATED AND SHOULD NOT BE USED WITHOUT WRITTEN PERMISSION				
	B1	REV			

9 8 7 6 5 4 3 2 1

10 9 8 7 6 5 4 3 2 1

F

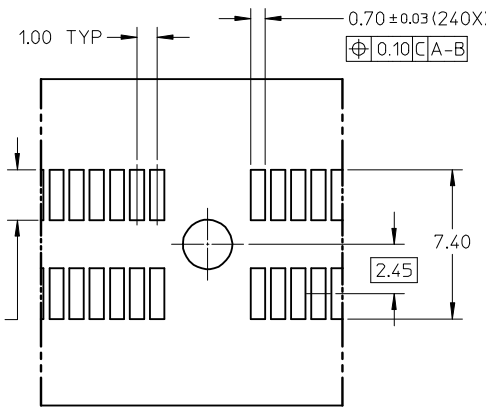
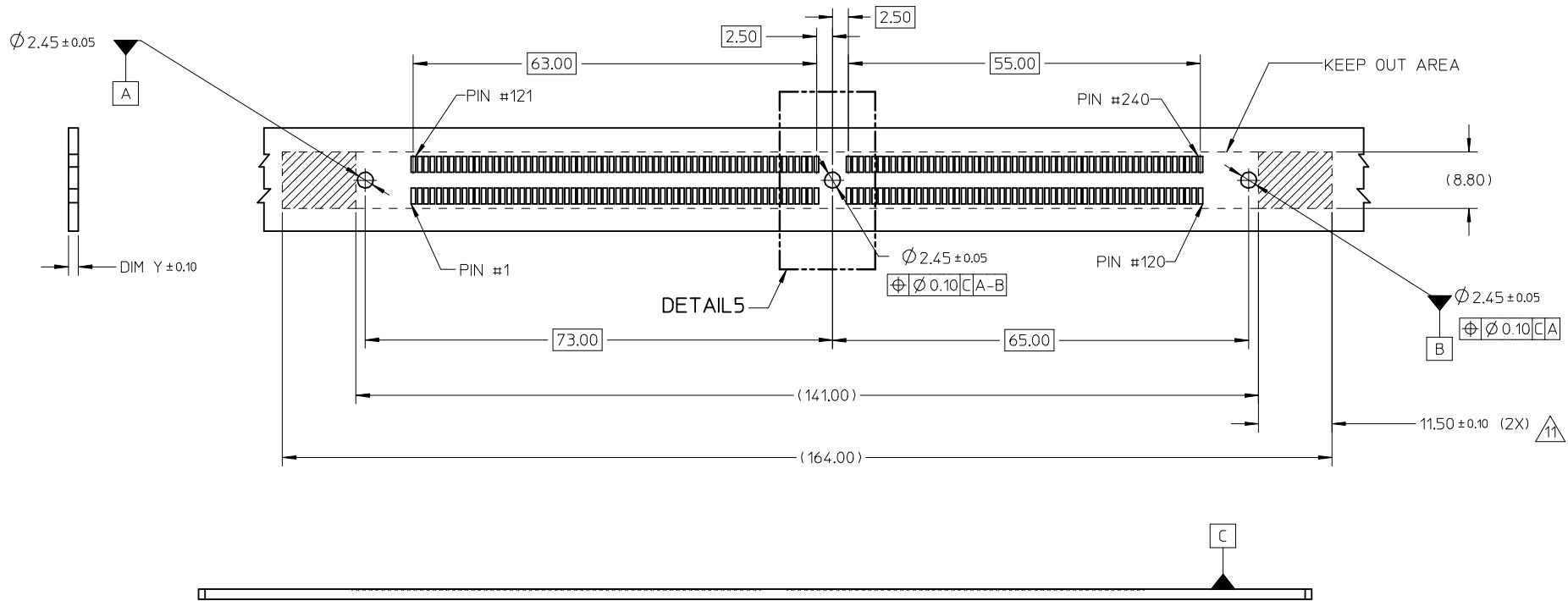
E

D

C

B

A



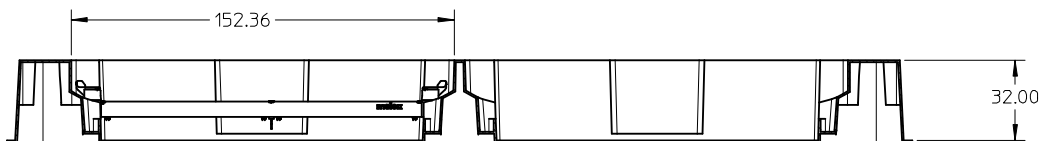
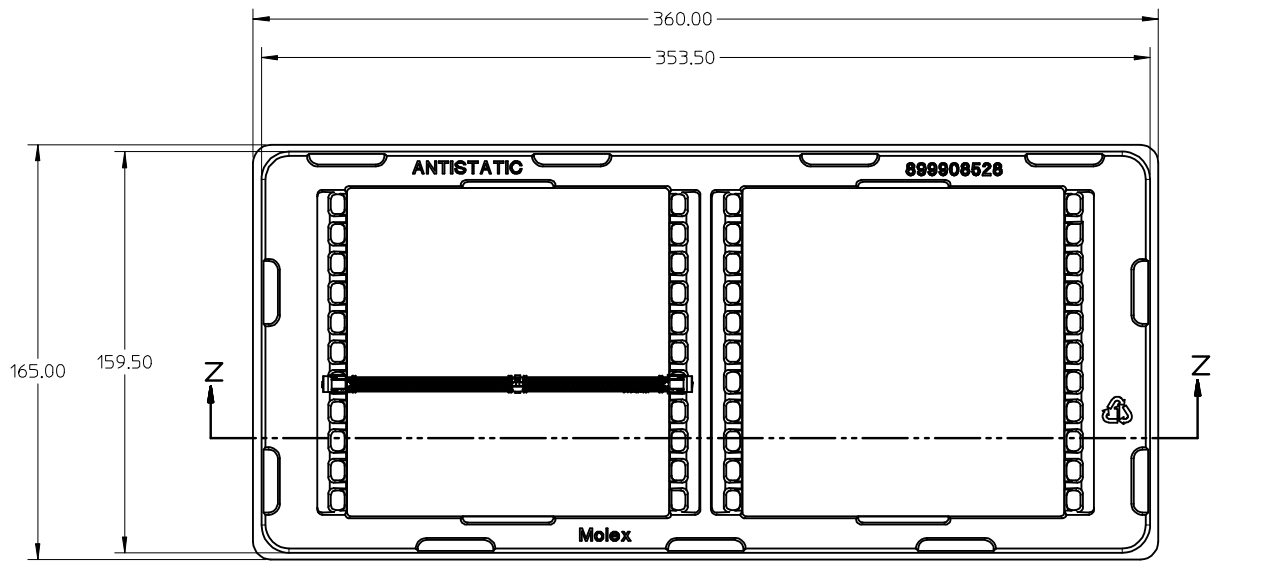
RECOMMENDED STENCIL THICKNESS = 150µM.

2.50 ± 0.03 (240X)  
 $\oplus \ominus 0.10 [C-A-B]$

DETAIL 5

ADD NEW OPTION EC NO: S2009-0166 DRWN:CMTEO 2008/09/05 CHKD:CGTAN 2008/09/05 APPR:SHLENI 2008/09/05	DESCRIPTION QUALITY SYMBOLS ▽=0 ◻=0	GENERAL TOLERANCES (UNLESS SPECIFIED)		DIMENSION STYLE MM ONLY		SCALE NTS	DESIGN UNITS METRIC	THIRD ANGLE PROJECTION		
			mm	INCH	DRAWN BY	DATE	TITLE			
		4 PLACES	± ---	± ---	CMTEO	2006/08/07	DDR2 DIMM, 100MM PITCH 240 CKTS, VLP LATCH, SMT			
		3 PLACES	± ---	± ---	CHECKED BY	DATE				
2 PLACES	± 0.2	± ---	SHLENI	2006/08/14	MOLEX INCORPORATED					
1 PLACE	± ---	± ---	APPROVED BY	DATE						
ANGULAR ± 1 °		DRAFT WHERE APPLICABLE MUST REMAIN WITHIN DIMENSIONS		SEE TABLE		DOCUMENT NO.		SHEET NO.		
B1		REV		SIZE A3		THIS DRAWING CONTAINS INFORMATION THAT IS PROPRIETARY TO MOLEX INCORPORATED AND SHOULD NOT BE USED WITHOUT WRITTEN PERMISSION				

9 8 7 6 5 4 3 2 1



SECTION Z-Z

NOTE:  
1. CAVITY QTY : 2 X 11 = 22PCS

ADD NEW OPTION EC NO: S2009-0166 DRW:CMTEO 2008/09/05 CHKD:CGTAN 2008/09/05 APPR:SHLENI 2008/09/05	DESCRIPTION B1	QUALITY SYMBOLS	GENERAL TOLERANCES (UNLESS SPECIFIED)	DIMENSION STYLE	SCALE	DESIGN UNITS	THIRD ANGLE PROJECTION
		$\nabla=0$ $\text{C}=0$	mm    INCH 4 PLACES ± --- ± --- 3 PLACES ± --- ± --- 2 PLACES ± 0.2 ± --- 1 PLACE ± --- ± --- ANGULAR ± 1 °	MM ONLY	NTS	METRIC	
		DRAWN BY: CMTEO    DATE: 2006/08/07 CHECKED BY: SHLENI    DATE: 2006/08/14 APPROVED BY: GGLEE    DATE: 2006/08/14	TITLE DDR2 DIMM, 100MM PITCH 240 CKTS, VLP LATCH, SMT				
		MATERIAL NO. SEE TABLE	MOLEX INCORPORATED DOCUMENT NO. SD-78125-001	SHEET NO. 5 OF 5			